

# Dialight



**Vigilant® H2 Series LED High Bay - UL / CSA**  
for Indoor and Outdoor Industrial Applications





## Features & Benefits

- L70 rated for >100,000 hours
- 10 year full performance warranty
- 140 LPW Typical
- Dual Mounting option available
- For 347 / 480V AC applications, consult factory
- Significantly reduced glare
- Instant on/off
- Maintenance free
- Mercury free
- No UV or IR
- Resistant to shock and vibration

## Application

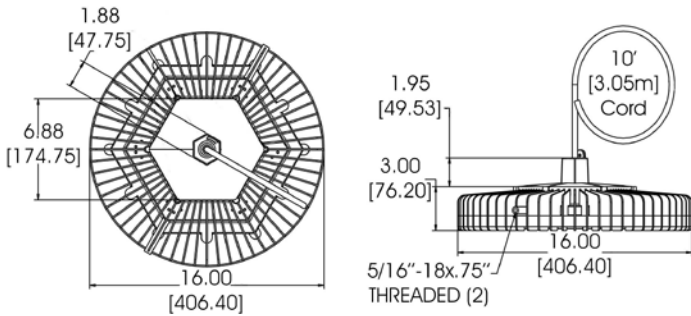
At 140 lumens per Watt, Dialight's new ultra-efficient industrial LED High Bay revolutionizes the world of LED lighting and is by far the most innovative LED fixture available today. With a market-leading 10 year full performance warranty, the new 25,250 lumen high bay utilizes cutting-edge optical and electrical design to provide for significantly reduced glare and superior light distribution.

# Vigilant® H2 Series LED High Bay - UL / CSA

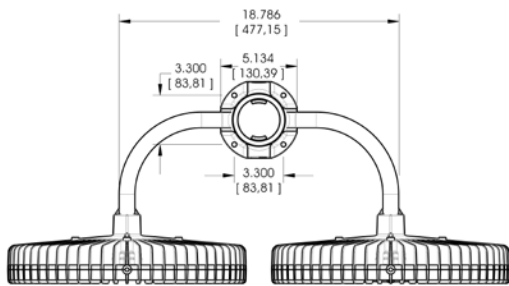
## Standard Models



Patent pending



Dimensions in inches [mm]



Dimensions in inches [mm]

### Certifications & Ratings

- UL 1598/A
- CSA 22 #250
- CE
- NEMA 4X
- IP66 / 67

### Mechanical Information:

- Fixture weight:** 18 lbs (8.16kg)
- Shipping weight:** 24 lbs (10.8kg)
- Mounting:** (1) 3/4" NPT - top  
(2) 5/16"-18 x .75" UNC - side
- Entries:** 10' (3.05m) STOOV Power Cord

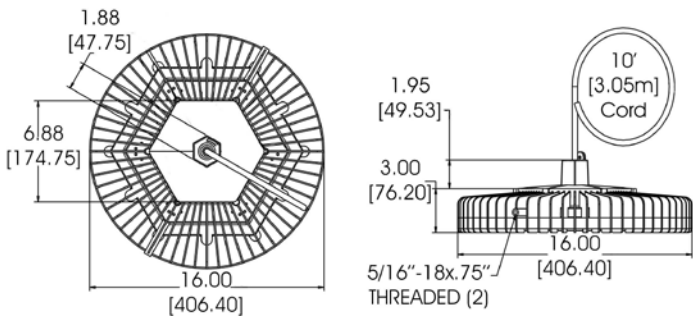
### Electrical Specifications:

- Operating Voltage:** 110 – 277V AC  
347 / 480V AC
- Total system power consumption:** See table
- Operating Temp:** -40°F to +149°F (-40°C to +65°C)
- Harmonics:** IEC 61000-3-2
- Noise requirement /EMC:** FCC Title 47, Subpart B, Section 15, class A device. RF Immunity; 10V/m, 80MHz-1GHz
- Transient protection:** Protection devices capable of handling up to 6kV. Tested for 6kV/2 ohm combination wave, as per IEEE C62.41, line-line and line-ground
- THD:** <20%
- Power Factor:** > 0.9
- Construction:**
- Housing:** Copper free aluminum
- Finish:** Superior dual coat finish  
- Sealed polyester topcoat  
- Chemical-resistant epoxy primer
- Lens:** Tempered glass
- Photometric Information:**
- CRI:** 75
- CCT:** 5000K (cool white)

All values typical unless otherwise stated (tolerance +/- 10%)

# Vigilant® H2 Series LED High Bay - UL / CSA

## Variable Dimming Models



Dimensions in inches [mm]

### Features & Benefits

- 10' plenum rated dimming control cable pre-installed
- Dimming cabling independent of fixture wiring
- Multiple High Bays can be connected to the same dimmer

### Mechanical Information:

<b>Fixture weight:</b>	20 lbs (13.34kg)
<b>Shipping weight:</b>	27 lbs (9.62kg)
<b>Mounting:</b>	(1) 3/4" NPT - top (2) 5/16"-18 x .75" UNC - side
<b>Entries:</b>	10' (3.05m) STOOV Power Cord

### Variable Dimming:

<b>Variable Dimming Cable:</b>	Two conductor cable
<b>Power Cable:</b>	Three conductor cable
<b>Dimming Cable Position:</b>	Top neck with AC cabling
<b>Variable Dimming Control:</b>	0-10V DC
<b>Dimming Range:</b>	10V DC = 100% light output 0V DC = 30% light output

### Electrical Specifications for High Bay:

<b>Operating Voltage:</b>	110 – 277V AC 347 / 480V AC
<b>Total system power consumption:</b>	See table
<b>Operating Temp:</b>	-40°F to +149°F (-40°C to +65°C)
<b>Harmonics:</b>	IEC 61000-3-2
<b>Noise requirement /EMC:</b>	FCC Title 47, Subpart B, Section 15, class A device. RF Immunity; 10V/m, 80MHz-1GHz
<b>Transient protection:</b>	Protection devices capable of handling up to 6kV. Tested for 6kV/2 ohm combination wave, as per IEEE C62.41, line-line and line-ground
<b>THD:</b>	<20%
<b>Power Factor:</b>	> 0.9

### Construction:

<b>Housing:</b>	Copper free aluminum
<b>Finish:</b>	Superior dual coat finish - Sealed polyester topcoat - Chemical-resistant epoxy primer
<b>Lens:</b>	Tempered glass

### Photometric Information:

<b>CRI:</b>	75
<b>CCT:</b>	5000K (cool white)

All values typical unless otherwise stated (tolerance +/- 10%)

# Vigilant® H2 Series LED High Bay - UL / CSA

## Options and Accessories



**HBXW3-SSL-316**  
**HBXW3-SSL-304**

- Stainless steel bracket



**HBXCAB48**

- 48" long stainless steel safety rope (for use with safety bracket)



**HBXDC**

- 21° slope dust cover

**HBXDC45**

- 45° slope dust cover

**HBXDC60**

- 60° slope dust cover



**HBXW3-SSL-304FT**

- 304 Stainless steel forward throw bracket

**HBXW3-SSL-316FT**

- 316 Stainless steel forward throw bracket



**HBXTH347480**

- Top hat with 347-480V AC step down transformer



**HBXH**

- Hook



**HBXW2**

- Swivel bracket and cable gland

**HBXW3**

- Swivel bracket



**HBXL**

- Loop



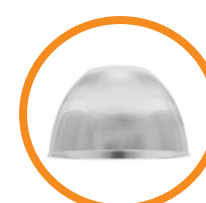
**HBXDUALBRCKT**

- Dual bracket



**HBXCU**

- Ceiling / wall mount



**HBXREF22**

- 22" Acrylic reflector (must be ordered with high bay, not a retrofit option)



**HBXCG**

- Cable gland



**HBXLENAC**

- Acrylic lens, clear

**HBXLENGC**

- Glass lens, clear

**HBXLENPC**

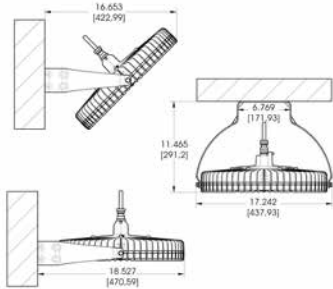
- Polycarbonate lens, clear



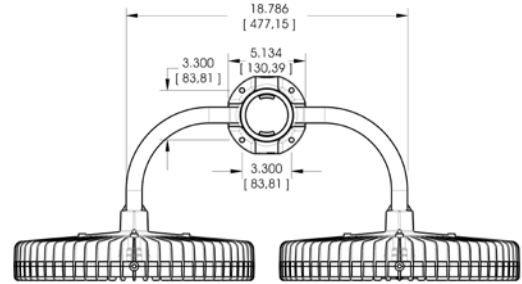
# Vigilant® H2 Series LED High Bay - UL / CSA

## Options and Accessories Drawings

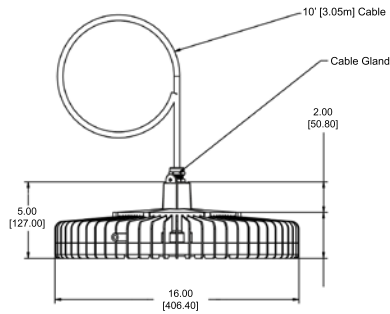
HBXW2 - Swivel Bracket and Cable Gland



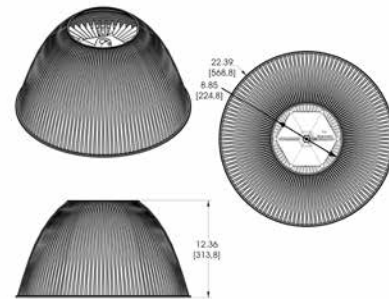
HBXDUALBRCKT - Dual Bracket



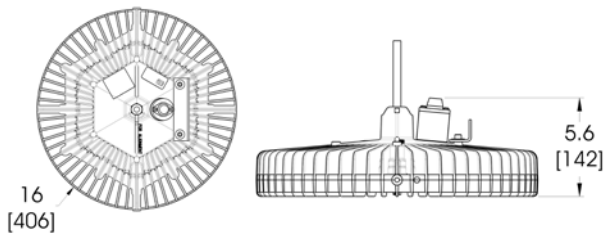
HBXCG - Cable Gland



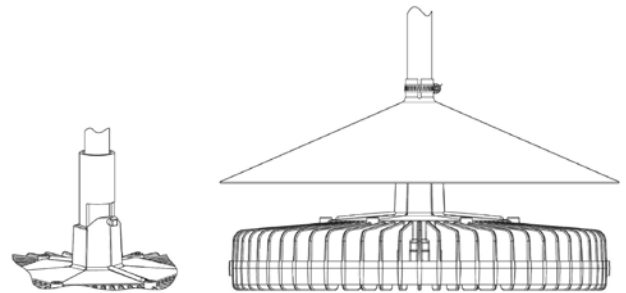
22" Acrylic Reflector - Consult factory



HEGMxxx-SGG - Safety Bracket and Fuse Options



HBXDC - Dust Cover



# Vigilant® H2 Series LED High Bay - UL / CSA

## Ordering Information and Mounting Accessories



110 - 277V AC models



347 / 480V AC models

Part Number	Fixture Lumen	Watt	LPW	Wet Location	Voltage	CCT	Lens	Optical Pattern
Standard Models								
H2GMC4NN-SNG	25,250	180	140	IP66	110 - 277V AC	5000K (cool white)	Tempered glass	Circular
H2GMC5NN-SNG	25,250	209	121	IP66	347V AC	5000K (cool white)	Tempered glass	Circular
H2GMC5NN-SNG	25,250	192	132	IP66	480V AC	5000K (cool white)	Tempered glass	Circular
Variable Dimming Models								
H2GMC4ND-SNG	25,250	180	140	IP66	110 - 277V AC	5000K (cool white)	Tempered glass	Circular

All values typical unless otherwise stated, Lumen values are typical (tolerance +/- 10%)

\*For models needing a Safety Bracket, replace the 10th character with an **S**. Example H2GMC4NN-SNG becomes H2GMC4NN-SSG.

### Light Distribution Pattern

#### Medium pattern

