

Dialight

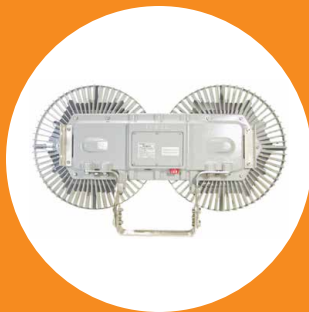
.....



DuroSite® LED End-to-End Linear Fixture - UL / CSA
for Indoor and Outdoor Industrial Applications

On when it matters most.

Products and solutions that protect your business





Features & Benefits

- 5 year full performance warranty
- L70 rated for >100,000 hours @ 25°C
- Instant on/off operation
- Resistant to dust & vibration
- Excellent corrosion resistance to water & salt
- Universal input (120 - 277V AC, 50/60Hz)
- Temperature compensation technology for longer life
- Integrated wiring box on each end for easy install
- Low profile housing for limited space applications
- Through wiring capability

Application

Dialight's DuroSite LED linear fixture replaces HID and fluorescent lighting fixtures in industrial applications. The DuroSite® LED Linear fixture's rugged solid state design makes it highly resistant to shock and vibration. Its fully gasketed IP66/67 rated enclosure makes it suitable for dusty & wet locations, its 1598/A rating guarantees added protection from salt water spray. The DuroSite LED Linear's superior design allows for wiring and mounting versatility and ease of installation for many lighting applications.

DuroSite® LED End-to-End Linear Fixture - UL / CSA

Standard Model



Certifications & Ratings

- UL 1598/A
- CSA 22.2 No. 250.0
- IP66/67
- NEMA 4X

Mechanical Information:

- Fixture weight:** 4' - 18 lbs (8.16 kg)
2' - 13 lbs (5.90 kg)
- Shipping weight:** 4' - 20 lbs (9.07 kg)
2' - 15 lbs (6.80 kg)
- Mounting:** (4) 3/4" NPT openings
Optional ceiling, flush or swivel mounting bracket

Electrical Specifications:

- Operating voltage:** 120 - 277V AC
- Power consumption:** See table
- Operating temp:** -40°F to +149°F (-40°C to +65°C)
- Harmonics:** 61000-3-2
- Transient protection:** FCC Title 47, Subpart B, Section 15, Class A device. RF Immunity; 10V/m, 80MHz-1GHz
- Surge protection:** EN 61000-4-5
6kV line to line
6kV line to ground
- THD:** < 20%
- Power factor:** > 0.9

Construction:

- Housing:** Extruded 6063 aluminum
- Finish:** Superior dual coat finish
- Sealed polyester topcoat
- Chemical-resistant epoxy primer
- Lens:** Polycarbonate

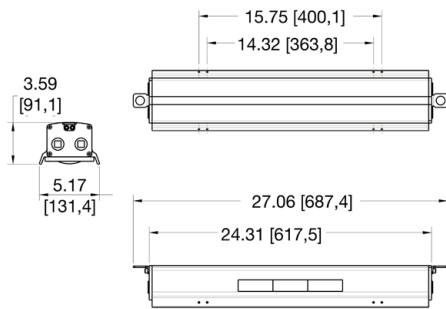
Photometric Information:

- CRI:** 80
- CCT:** 5000K (cool white)
4000K (neutral white)
- IES files:** Available at www.dialight.com

All values typical unless otherwise stated (tolerance +/- 10%)

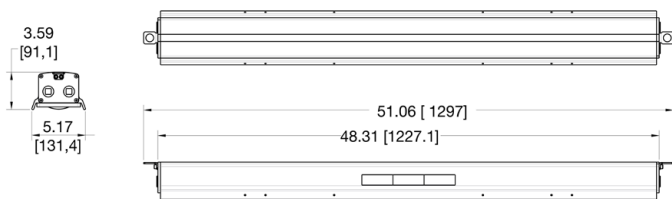
* For information on chemical compatibility, please follow this link to reference Dialight's Chemical Compatibility Guide. www.dialight.com/pubs/MDTFCHEMRFLX001.PDF

2' End - to - End Linear Dimensional



Dimensions in inches [mm]

4' End - to - End Linear Dimensional

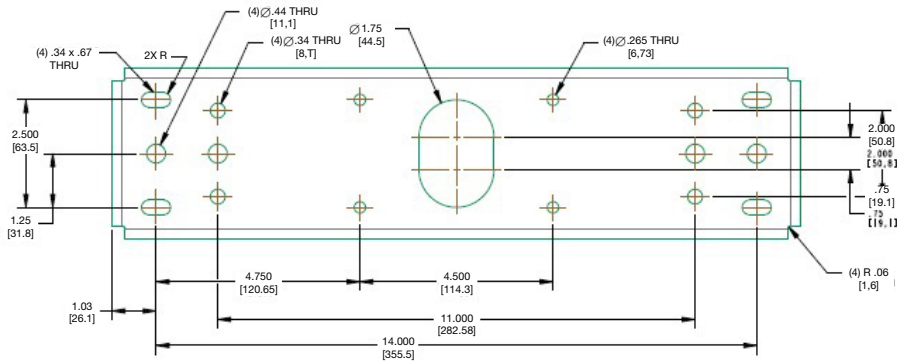


Dimensions in inches [mm]

DuroSite® LED End-to-End Linear Fixture - UL / CSA

Mounting Options

Swivel Mount



EEX-S6

- 316 Stainless steel swivel mounting bracket
- Can be angled at 0°, 30°, 45°, 60°, and 90°



Ceiling Mount



EEX-C6

- 316 Stainless steel fixed ceiling mount



Flush Mount



EEX-F6

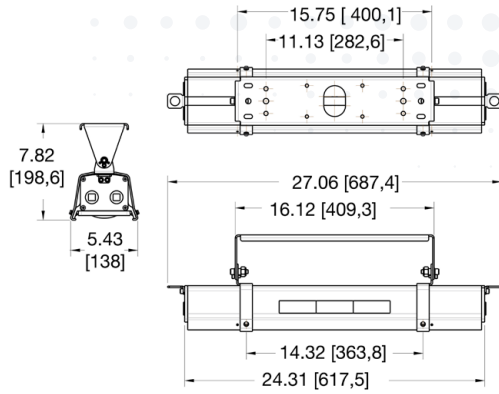
- 316 Stainless steel flush mount



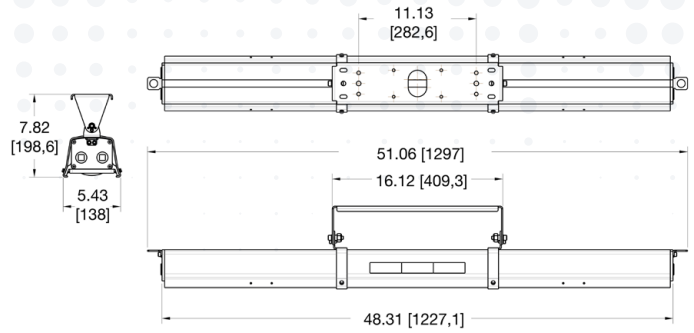
DuroSite® LED End-to-End Linear Fixture - UL / CSA

Mounting Dimensional

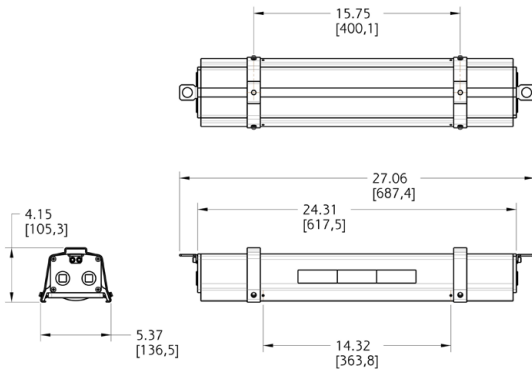
2' - Swivel Mount



4' - Swivel Mount



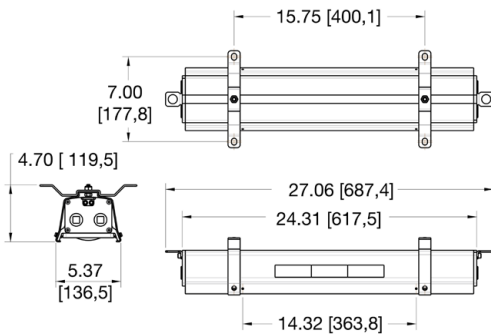
2' - Flush Mount



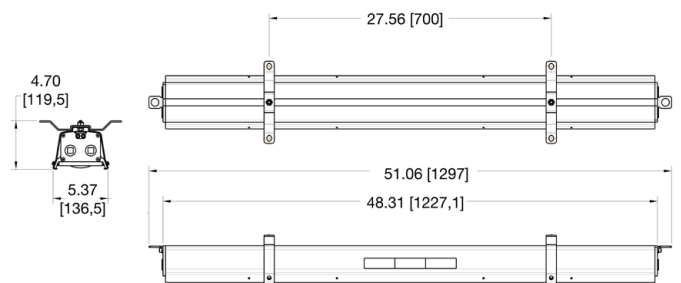
4' - Flush Mount



2' - Ceiling Mount



4' - Ceiling Mount



DuroSite® LED End-to-End Linear Fixture - UL / CSA

Ordering Information

Part Number	Length	CRI	Fixture Lumen	Watt	LPW	Voltage	CCT	Lens	Optical Pattern
LBU2MB3FNNNNGN	4'	80	7,500	60	125	120 - 277V AC	5000K (cool white)	Clear polycarbonate	Circular
LBU6MB3FNNNNGN	4'	80	6,750	60	112	120 - 277V AC	5000K (cool white)	Diffused polycarbonate	Circular
LAU2MB3BNNNNGN	2'	80	4,000	32	125	120 - 277V AC	5000K (cool white)	Clear polycarbonate	Circular
LAU6MB3BNNNNGN	2'	80	3,500	32	109	120 - 277V AC	5000K (cool white)	Diffused polycarbonate	Circular

All lumen values are typical (tolerance +/- 10%)

* For information on chemical compatibility, please follow this link to reference Dialight's Chemical Compatibility Guide. www.dialight.com/pubs/MDTFCHEMRFLX001.PDF

Part numbers listed in the above table are cool white. For neutral white models replace the 6th character with N. Ex. LBU2M**B**3FNNNNGN becomes LBU2M**N**3FNNNNGN.

Light Distribution Pattern

