

VOL : Volumetric LED Troffer



project name	type
catalog number	
comments	voltage
approved by	date

26/46
watts

3250-5796
lumens

>125
lpw

2'x2' / 2'x4'

Features

- Single lens center basket with swept white sidewall reflector
- Cost effective solid state LED solution with elemental design
- Direct/indirect illumination provides visual comfort with minimal glare
- Clean line styling complements today's modern office decor
- One for one alternative LED solution to fluorescent troffers
- Features integral earthquake clips
- Up to 50% energy savings over fluorescent troffers
- 0-10V dimmable standard
- 2½ times longer life than fluorescent lamp troffers
- Available in 2'x2' and 2'x4'
- 5 year limited warranty

Performance

- 2'x2': 3250lm @ 26W
- 2'x4': 5796lm @ 46W
- LPW > 125
- 50,000 hour (L70) life
- -4°F to 104°F (-20°C to 40°C) operating temperature
- UL Listed for dry/damp locations
- 3500K, 4000K, 5000K CCT
- CRI >80
- Input voltage: 100-277V
- Power factor: >90
- THD < 15%

Applications

- Conference rooms
- Retail
- Offices
- Hospitality
- Healthcare
- Schools
- Reception areas
- Corridors
- Foyer

Ordering Information

Order Code	Item #	Size	Lm	W	CCT	CRI	Life/Hrs	V	Dimming	Fluor. Equiv.	DLC Premium
09706	VOL22-3CP-35K-U	2x2	3,250	26W	3500K	80+	50,000	120-277V	0-10V Dimming	3x 17WT8, 2U31T8	✓
09707	VOL22-3CP-40K-U	2x2	3,250	26W	4000K	80+	50,000	120-277V	0-10V Dimming	3x 17WT8, 2U31T8	✓
09708	VOL22-3CP-50K-U	2x2	3,250	26W	5000K	80+	50,000	120-277V	0-10V Dimming	3x 17WT8, 2U31T8	✓
09709	VOL24-5CP-35K-U	2x4	5,796	46W	3500K	80+	50,000	120-277V	0-10V Dimming	2x 32T8, 3x 32T8	✓
09710	VOL24-5CP-40K-U	2x4	5,796	46W	4000K	80+	50,000	120-277V	0-10V Dimming	2x 32T8, 3x 32T8	✓
09711	VOL24-5CP-50K-U	2x4	5,796	46W	5000K	80+	50,000	120-277V	0-10V Dimming	2x 32T8, 3x 32T8	✓

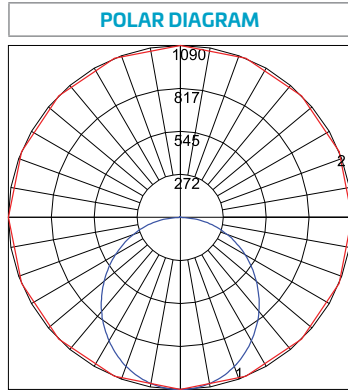
✓DesignLights Consortium® Premium Qualified

VOL : Volumetric LED Troffer

Photometrics

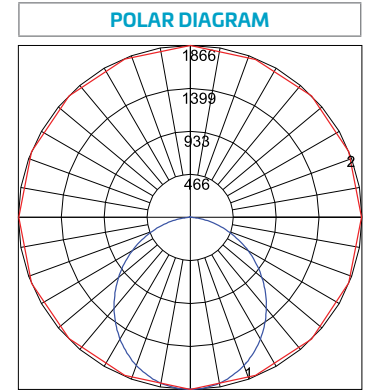
VOL22-3C

ZONAL LUMEN SUMMARY		
Zone	Lumens	%Fixture
0-30	838	26.8
0-40	1365	43.6
0-60	2403	76.7
0-90	3275	100.0
0-180	3275	100.0
SPACING CRITERIA		
0-180	1.2	
90-270	1.2	
Diagonal	1.4	

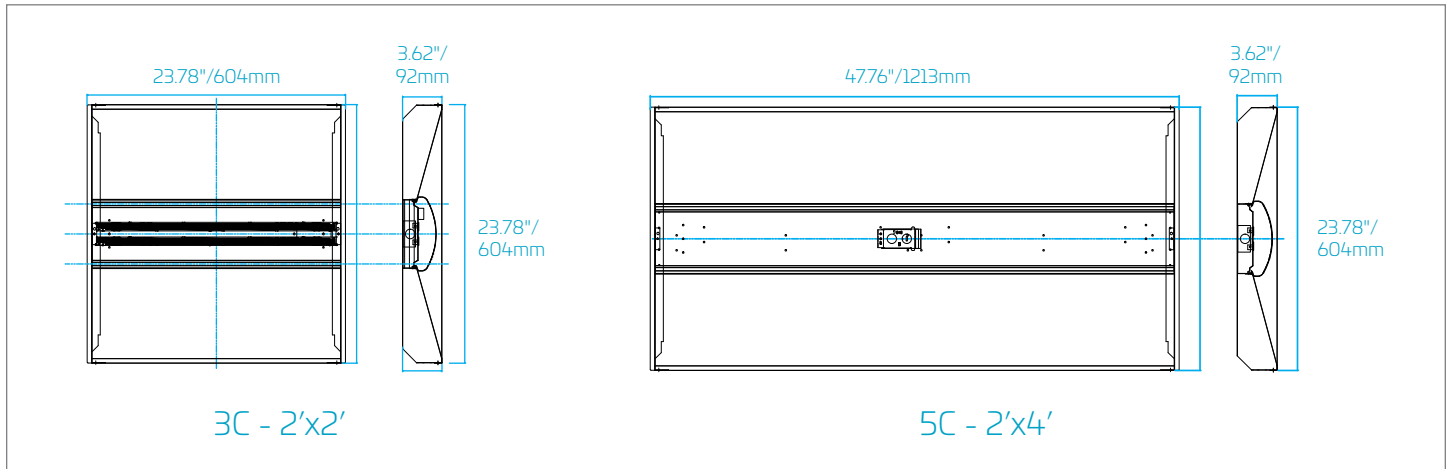


VOL24-5C

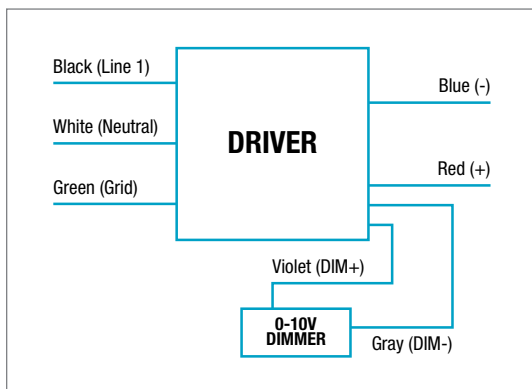
ZONAL LUMEN SUMMARY		
Zone	Lumens	%Fixture
0-30	1440	25.8
0-40	2356	42.2
0-60	4201	75.3
0-90	5970	100.0
0-180	5970	100.0
SPACING CRITERIA		
0-180	1.2	
90-270	1.2	
Diagonal	1.4	



Dimensions



Wiring Diagram



Accessories (Sold Separately)

Order Code	Litespan Part #	Description
09849	FHSCP-UNV-5WL	5W Emergency Battery Backup
09851	FHSCP-UNV-7.8WL	7.8W Emergency Battery Backup
09850	FHSCP-UNV-10.7WL	10.7W Emergency Battery Backup
09852	FHSCP-UNV-13.7WL	13.7W Emergency Battery Backup
09854	FHSCP-UNV-17WL	17W Emergency Battery Backup

watch > like > follow

