

Elements

by TCP



LED Flood Light SMALL

Limitless Options
for the following applications:

TCP's LED Small Flood Lights efficiently deliver bright, white light and robust performance. The long 50,000 hour rated life significantly decreases maintenance labor and material costs over the life of the fixture.

The compact die-cast aluminum housing is wet location rated and includes a knuckle for easy installation. An integrated photosensor comes standard for dusk-to-dawn control.

- Security Lighting
- Landscapes
- Building Facades
- Signage

c  US LISTED

5 YEAR
WARRANTY

we know light.™

LED Flood Light - Small

Features/Benefits

Up to 93% less energy than traditional lighting	Instant energy savings and potential rebate eligibility
Long 50,000 hour rated life	Minimizes replacements and labor costs
Integrated 120V photosensor	Comes standard; provides dusk-to-dawn control
Mercury free	Great for all environments
Die-cast aluminum housing with tempered shield & glass lens	Robust design protects the LEDs to withstand harsh outdoor environments
UL approved for wet locations	Suitable for outdoor installation
Easy to install—standard junction box or PVC pipe	Easy installation and retrofit application

Specifications

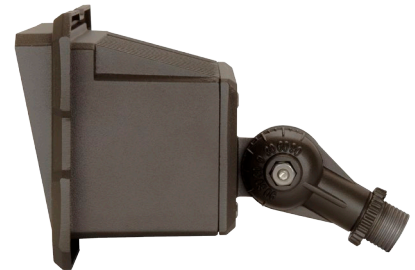
Input Line Voltage	120V
Input Line Frequency (Hz)	50/60HZ
Lumens / Wattage	820L (9W), 1725L (20W)
Lumens per Watt (LPW)	90 LPW, 86 LPW
Color Temperature (CCT)	5000K
Dimming	n/a
Controls	Integrated 120V photosensor (standard)
Rated Life	>50,000 hours
Operating Temperature	-40°C to 40°C
CRI	70+
Power Factor	>0.9
THD	<20%

Warranty

Five year limited warranty against defects in manufacturing

Replacement Comparison

Type	Wattage	Energy Savings (%)
TCP 820L LED Flood	9W	-
100W Incandescent	100W	91%
120W Incandescent	120W	93%
TCP 1725L LED Flood	20W	-
50W Metal Halide	70W	72%



Applications

TCP's LED Small Flood Lights efficiently deliver bright, white light and robust performance. The long 50,000 hour rated life significantly decreases maintenance labor and material costs over the life of the fixture. Applications include security lighting, landscapes, building facades and signage.

Construction

- Heavy duty die-cast aluminum housing
- Durable UV stabilized powder coat finish
- Features knuckle for easy installation
- Matching outdoor junction box cover available as accessory sold separately

Electrical

- Integrated 120V photosensor for dusk-to-dawn control
- System rated for long 50,000 hour rated life
- cULus wet location rated
- 1.5kV surge suppression comes standard

Optics

- Precise optical control efficiently directs the light
- Integral glare shield and tempered glass lens minimizes glare and protects the LED



Listings

cULus Listed – wet location rated
IP65 rated
RoHS Compliant

Installation

Before installation, please consult your local ordinances and building codes for compliance

Warranty

Five year limited warranty against defects in manufacturing

Lumen Maintenance

Lumen Maintenance Factor (LMF)				
Item#	36,000 hours ¹	50,000 hours ²	100,000 hours ²	Reported L ₇₀ (hours) ¹
TCPFLS1850KBRZPC	90.10%	86.40%	74.38%	>36,000
TCPFLS11750KBRZPC	89.54%	85.66%	73.11%	>36,000

¹ IESNA TM-21-11 projected value based on 6X IESNA LM-80-08 total test duration of 6,000 hours.

² IESNA TM-21-11 calculated value exceeds 6X IESNA LM-80-08 total test duration of 6,000 hours.

Catalog Ordering Matrix Example: TCPFLS11750KBRZPC

BRAND	PRODUCT ID	VOLTAGE	LUMENS PACKAGE (Power) ¹²	CCT	COLOR	CONTROLS
TCP	FLS – Flood Light Small	1 – 120 3 – 347V*	8 – 820 Lumens (90W) 17 – 1725 Lumens (86W)	50K – 5000K Other*	BRZ – Bronze Other*	PC – Photocell

* Special Order – consult manufacturer for minimum ordering quantity and lead times.

Performance Data

Item#	Wattage ¹	Lumens ²	LPW	CRI	CCT (K)	Accessory Sold Separately
TCPFLS1850KBRZPC	9	820	90	70+	5000K	TCPJBOXCVRBRZ – Die-cast aluminum junction box cover (bronze)
TCPFLS11750KBRZPC	20	1725	86	70+	5000K	

¹ Actual wattage may vary by +/- 10%.

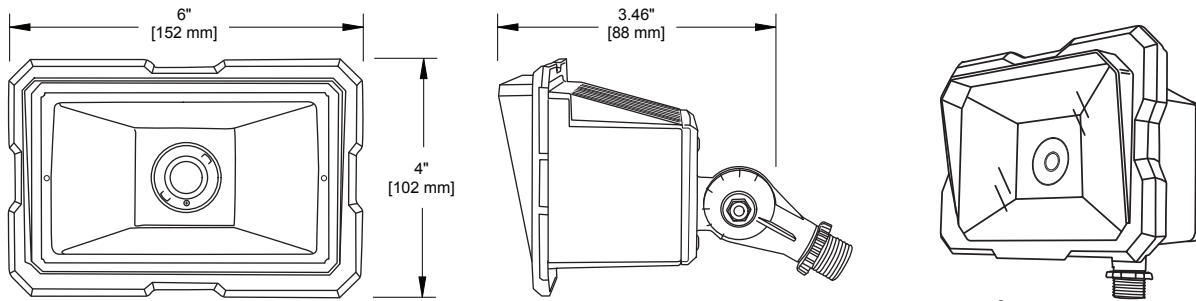
² Approximate lumen output. Actual performance may vary based on CCT, options selected and end user application.

For the most up-to-date specs and warranty information, please visit www.tcp.com

LED Flood Light - Small

LED TECHNICAL DATA

Dimensions



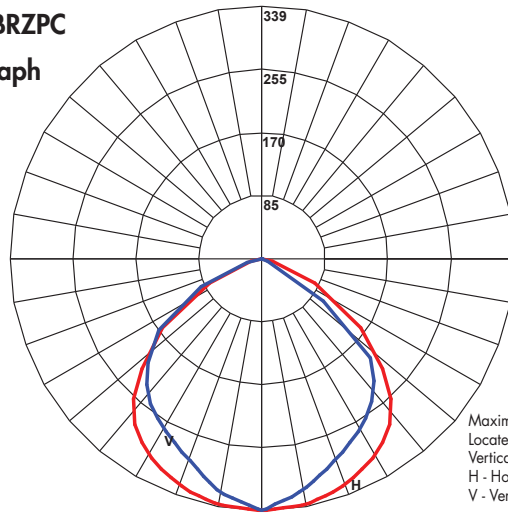
Weight

1.6 lbs (0.73 kgs)

Photometric Report

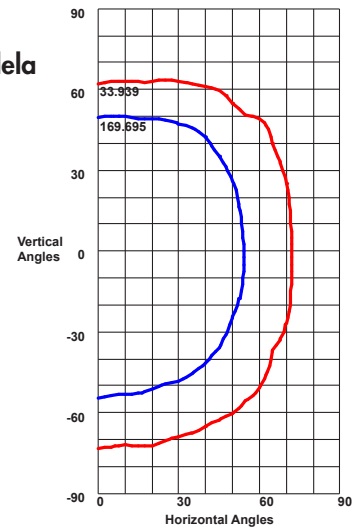
Based on photometric data for
TCP Item # **TCPFLS1850KBRZPC**

Polar Graph



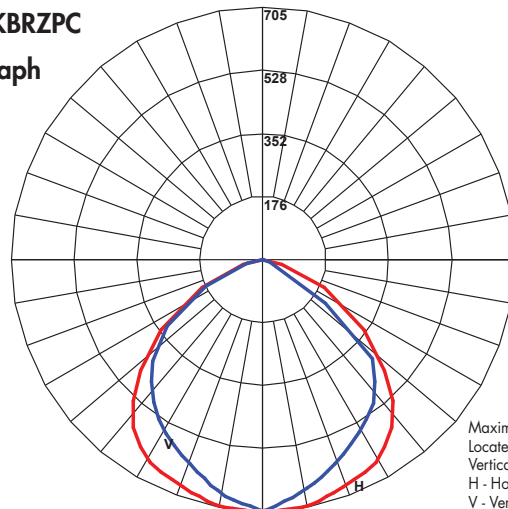
Maximum Candela = 339.39
Located At Horizontal Angle = 0,
Vertical Angle = 0
H - Horizontal Axial Candela
V - Vertical Axial Candela

Isocandela Curve



Based on photometric data for
TCP Item # **TCPFLS11750KBRZPC**

Polar Graph



Maximum Candela = 704.18
Located At Horizontal Angle = 0,
Vertical Angle = 0
H - Horizontal Axial Candela
V - Vertical Axial Candela

Isocandela Curve

