



# LG Series

## Single-Phase Central Lighting Inverter

Catalog Number	
Comments	Type

### FEATURES

#### Application

Designed for indoor installation in commercial or industrial applications. Emergency AC power is supplied to lighting fixtures equipped with incandescent, linear fluorescent, compact fluorescent or LED lamps. The lighting load can be installed at a distance of up to 1,000 feet from the LiteGear® central lighting inverter. Observe all required AC conductor sizing requirements. When using LED lamps, consider LED in-rush current in load calculations.

#### Operation

When normal utility supplied power is interrupted, the LiteGear® Series unit will automatically transfer to emergency mode in less than 2-seconds and begin supplying inverted, battery-derived pure sine wave output power to the load for 90 minutes. The unit is capable of operating normally on, normally off or switched loads. A low voltage battery disconnect circuit will prevent “deep discharge” damage to the battery. The charging circuit will bring the batteries to full recharge within UL time standards. A “brownout” circuit will automatically transfer the unit to emergency power if the utility voltage falls to a pre-determined “low line” limit.

#### Construction

The LiteGear® enclosure and cover are constructed of heavy-duty, steel with a white powder-coat paint finish.

#### Compliances

UL 924 (Emergency Lighting)  
 UL 2043 (Plenum Air Handling Spaces) for LG125T  
 Life Safety Code (NFPA 101)  
 National Electrical Code (NFPA 70)  
 State and Local Code compliant

#### Warranty

Unit and Electronics: 3 years full\*  
 Self-Test Model Unit and Electronics: 5 years full\*  
 SLA Lead Calcium Battery: 3 years full, 7 years pro-rata

\* excludes fuses

Batteries must be connected to an energized charging circuit by recommended "Use By" date on carton label or warranty is void.

### ORDERING GUIDE

LG	Model	Capacity	Mounting	Self-Diagnostics	Dimming Control
	125	125VA/110W	S Surface Wall	Blank None	Blank None
	250	250VA/220W <sup>3</sup>	R Recessed Wall <sup>1</sup>	I Self Testing/Diagnostics <sup>2,4</sup>	A0 Adjustable Output (4-levels)
			T Recessed Ceiling T-Grid <sup>1</sup>		

Ordering Notes:

<sup>1</sup> Only available on 125VA/110W version.

<sup>2</sup> Only available on 250VA/220W version

<sup>3</sup> Housing (93068300) and batteries (93068259) ship in separate cartons

<sup>4</sup> Housing (93081978) and batteries (93068259) ship in separate cartons

**LiteGear®**



LG250S  
250VA Surface Mount Model



LG125S  
125VA Surface Mount Model



LG125R  
125VA Recessed Wall Mount Model



LG125T  
125VA Recessed Ceiling T-Grid Mount Model

### ACCESSORIES (order separately)

RTSLP Remote Test Switch



# LG Series

## Single-Phase Central Lighting Inverter

### SPECIFICATIONS

#### Electronics

Input/Output: 120/120VAC or 277/277VAC, 60 Hz

Input/Output Connections: Terminal block

Operating Temperature Range: 20°C to 30°C (68°F to 86°F)

AC Lockout: Prevents battery discharge following installation when branch circuit AC power is not present.

Low Voltage Battery Disconnect: Protects the battery from damaging "deep discharge" conditions during prolonged power failures.

Brownout Protection: Automatically transfers to emergency power when utility voltage drops to a point that would cause fluorescent lamps to extinguish.

Overload and Short Circuit Protection: AC and DC protection provided by fuses and automatic shut down.

Test Means: Manual "TEST" button.

LED Indicators: LG125/LG250: "AC-ON" (red), "Charging-ON" (green), "Inverter On" (amber) LG250SI: "Normal Mode" (green steady), "Test Mode" (green blink), "High Charge" (red/green blink), "Inverter ON" (amber).

#### Battery

Maintenance-free, SLA lead calcium with 10 year rated life.

#### Optional Self-Test/Self Diagnostics

Provides visual indication for battery, charger and load faults. Conducts automatic 30-second battery discharge test every 30 days, a 30-minute test every 6 months, and a 90-minute test once a year. Test switch allows for manual initiation of a 30-second, a 30-minute or a 90-minute system test.

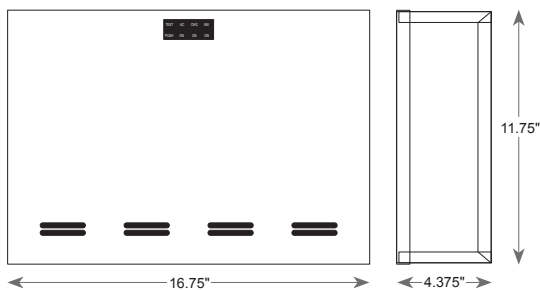
#### Optional Adjustable Output

Allows dimmable LED fixtures with 0-10V drivers to be connected to and powered by the LiteGear inverter during power outages. In emergency mode, two independent output circuits disconnect the load side of the local dimmer control, and connect the selected loads to the LiteGear output(s). Both emergency circuits are user-programmable to operate the connected fixtures at approximately 25%, 50%, 75% or 100% of nominal output during power outages.

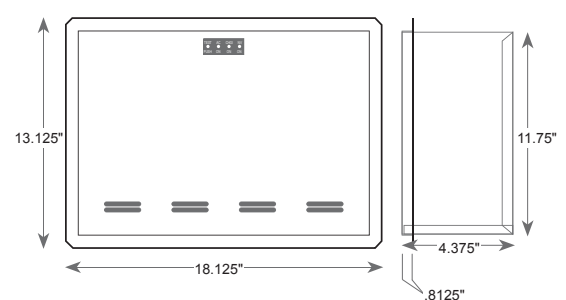
	LG125S	LG125R	LG125T	LG250S	LG250SI
<b>Power Rating (VA - W)</b>	125/110			250/220	
<b>Power Factor Range</b>	0.88 lead to 0.88 lag				
<b>Form and Fit</b>	Wall Mount Surface	Wall Mount Recessed	Ceiling Mount Recessed T-grid	Wall Mount Surface	
<b>Weight (lb) with batteries</b>	42	42	43	60	
<b>Maximum Input Current (A)</b>	120 VAC: 1.2 A 277 VAC: 0.52 A	120 VAC: 1.2 A 277 VAC: 0.52 A	120 VAC: 1.2 A 277 VAC: 0.52 A	120 VAC: 2.4 A 277 VAC: 1.1 A	
<b>System DC Voltage</b>	24			48	
<b>Recharge Time (Hr)</b>	96			96	

### DIMENSIONS

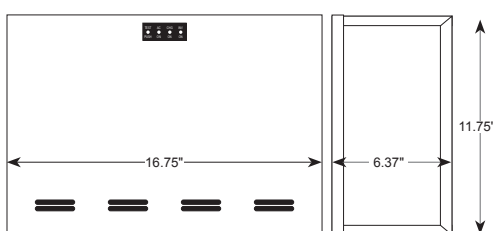
LG125S WALL MOUNT SURFACE MODEL



LG125R RECESSED WALL MOUNT MODEL



LG250S AND LG250SI WALL MOUNT SURFACE MODELS



LG125T RECESSED CEILING T-GRID MOUNT MODEL

