



tradeSELECT™

## IMPORTANT SAFEGUARDS

**WARNING:** RISK OF ELECTRIC SHOCK- NEVER CONNECT TO, DISCONNECT FROM, OR SERVICE WHILE EQUIPMENT IS ENERGIZED.

**WARNING:** FAILURE TO FOLLOW THESE INSTRUCTIONS AND WARNINGS MAY RESULT IN DEATH, SERIOUS INJURY OR SIGNIFICANT PROPERTY DAMAGE. For your protection, read and follow these warnings and instructions carefully before installing or maintaining this equipment. These instructions do not attempt to cover all installation and maintenance situations.

## READ AND FOLLOW ALL SAFETY INSTRUCTIONS

1. Rated for temperature range of 10°C to 40°C (50°F to 104°F).
2. Used indoors only.
3. Equipment should be mounted in locations and at heights where it will not be subject to tampering by unauthorized personnel.
4. Do not mount near gas or electric heaters.
5. The use of accessory equipment is not recommended by the manufacturer and may cause an unsafe condition.
6. Do not use this equipment for anything other than its intended use.
7. Servicing of this equipment should be performed by qualified personnel.
8. Disconnect AC power before servicing.

**NOTE:**

The battery in this unit may not be fully charged. After electricity is connected to unit, let battery charge up for at least 24 hours. Then the normal operation of this unit should take effect. To check, press the "TEST" button and the lights on the unit should turn ON.

### INSTALLATION

## INSTALLATION (J-BOX MOUNTING)

1. Before installation, use a tool to remove the faceplate. (Fig 1)
2. Connect the battery wire. (Fig 2, Fig 3)
3. Connect input wire of 120/277 to AC power (universal voltage from 120V-277V), then put the whole unit into J-box, fix it by using screws on corner, then put on the face cover. (Fig 4)
4. Turn on the AC power and press the "TEST" button to check the light.

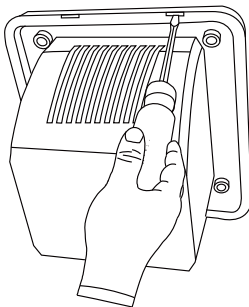


Fig 1

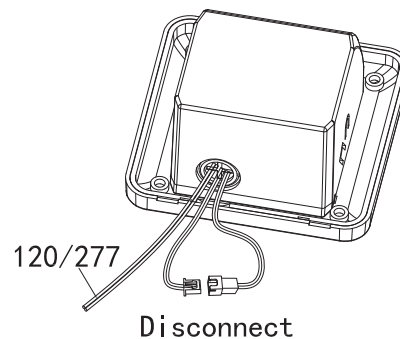
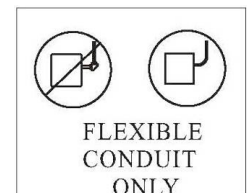


Fig 2



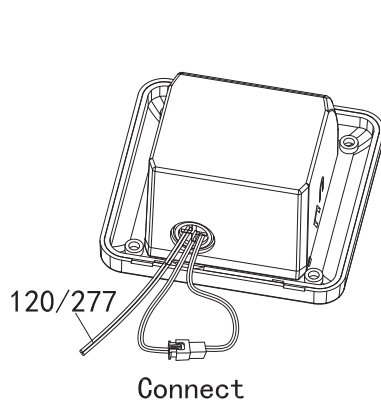


Fig 3

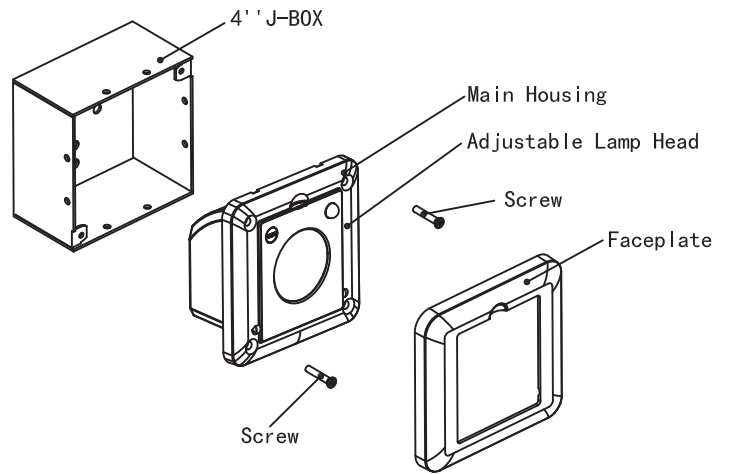
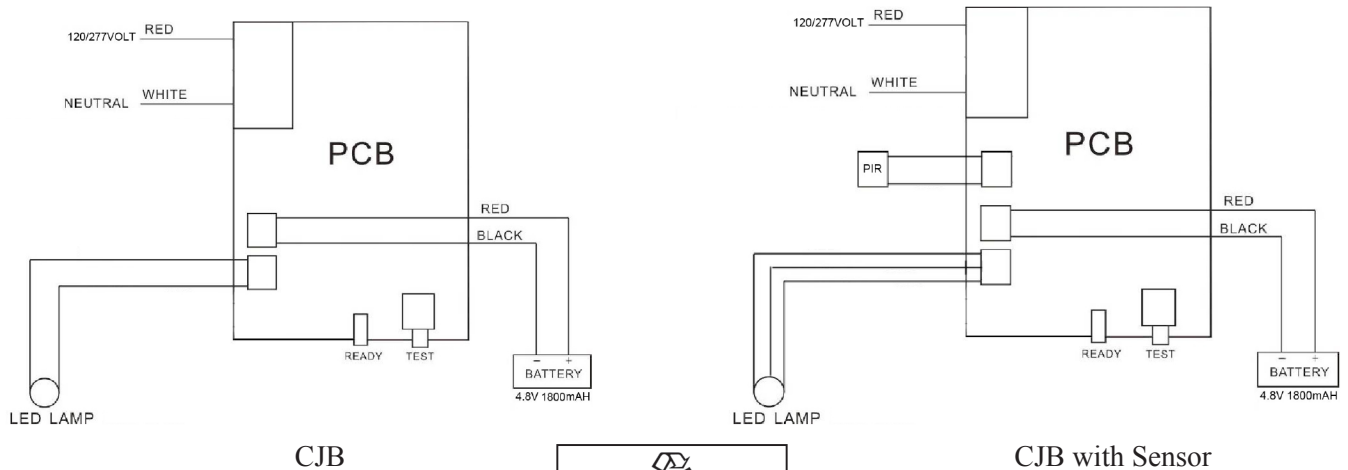



Fig 4

## OPERATION

1. During an electrical power failure, the lamps on the unit will automatically come ON for a minimum of 90 minutes.
2. To test this unit, let it charge correctly with AC power supply for a minimum of 24 hours after its first installation and then depress the “TEST” switch, the emergency lamps will illuminate. When the switch is released, the lamps will turn OFF.
3. Additional operation for CJB.
  - 1) The light will not turn on if the ambient illumination is sufficiently bright.
  - 2) The light will turn on automatically whenever a motion is detected within 5 meters, in dark and it will go off after about 15 minutes if motion is no longer detected.
  - 3) If the lens becomes dirty, clean it by wiping with rubbing alcohol. Do not scratch the lens.

## WIRING DIAGRAM



  
**RECYCLING INFORMATION**  
 All steel, aluminum and thermoplastic parts are recyclable.  
 All cartons contain recycled materials.  
 Please recycle responsibly.