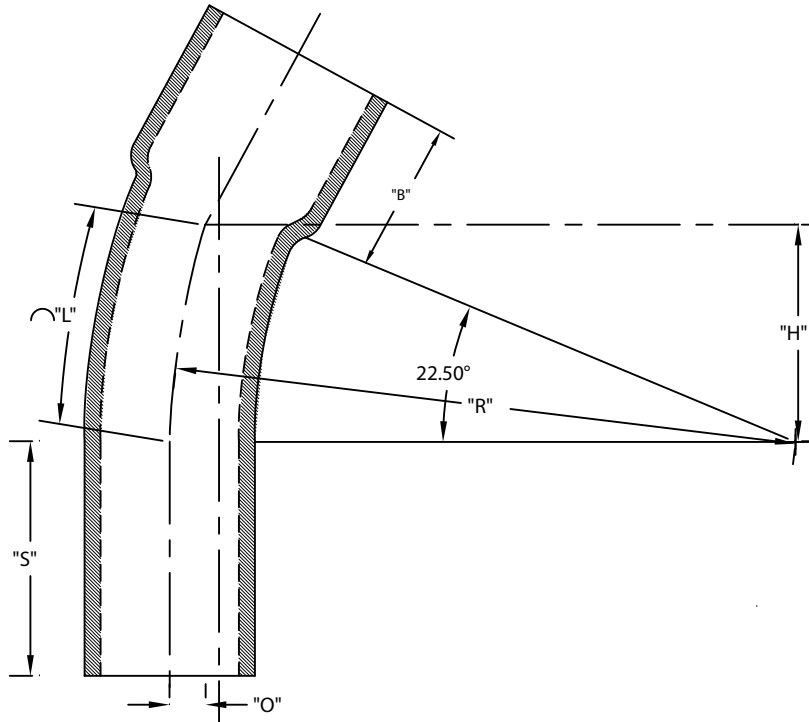


PART NUMBRT	SIZE	"R"	"O"	"H"	"S" MIN	"B" MIN	"L"
5123945	3"	18"	1 <sup>3</sup> / <sub>8</sub> "	6 <sup>7</sup> / <sub>8</sub> "	3 <sup>1</sup> / <sub>8</sub> "	2 <sup>1</sup> / <sub>2</sub> "	7 <sup>1</sup> / <sub>16</sub> "
5123740	4"	18"	1 <sup>3</sup> / <sub>8</sub> "	6 <sup>7</sup> / <sub>8</sub> "	3 <sup>3</sup> / <sub>4</sub> "	3 <sup>1</sup> / <sub>4</sub> "	7 <sup>1</sup> / <sub>16</sub> "



CONFORMS TO NEMA TC 6&8  
 MATERIAL IS HIGH MODULUS (HM) 500,000 psi  
 BEND TOLERANCE IS ±2°  
 "B" TOLERANCE IS -1/8", +1/2"

**CANTEX**

INC.

Fort Worth, TEXAS

22-1/2° Elbows Bell End  
 DB60 18" Radius Elbows

Drawn By: CD Branch

Date: 10/15/07

Ref.