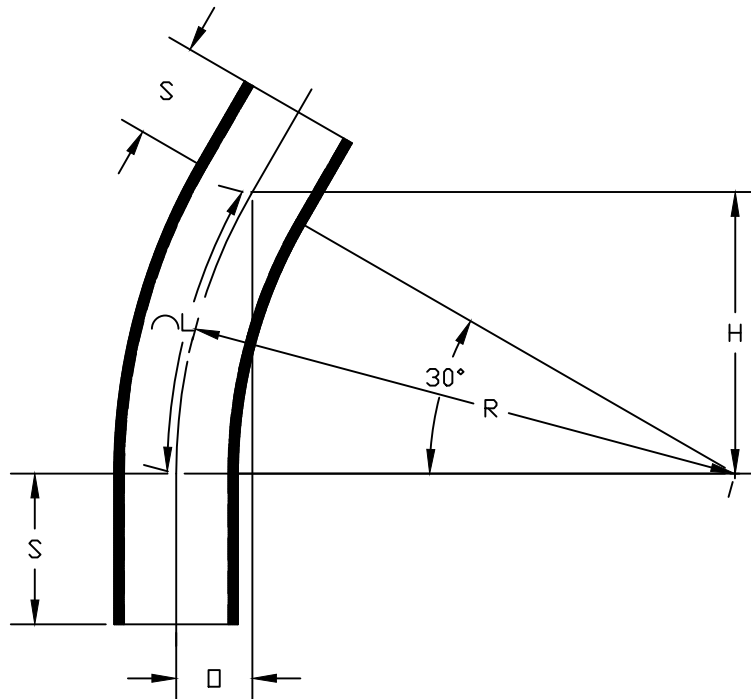


PART NUMBER	SIZE	"R"	"□"	"H"	"S" MIN	"B" MIN	"L"
5136507	1"	36"	4 $\frac{13}{16}$ "	18"	1 $\frac{7}{8}$ "	N/A	18 $\frac{7}{8}$ "
5136519	1 $\frac{1}{4}$ "	36"	4 $\frac{13}{16}$ "	18"	2"	N/A	18 $\frac{7}{8}$ "
5121094	2"	36"	4 $\frac{13}{16}$ "	18"	2"	N/A	18 $\frac{7}{8}$ "
5136566	2 $\frac{1}{2}$ "	36"	4 $\frac{13}{16}$ "	18"	3"	N/A	18 $\frac{7}{8}$ "
5136575	3"	36"	4 $\frac{13}{16}$ "	18"	3 $\frac{1}{8}$ "	N/A	18 $\frac{7}{8}$ "
5121114	4"	36"	4 $\frac{13}{16}$ "	18"	3 $\frac{3}{8}$ "	N/A	18 $\frac{7}{8}$ "
5136587	5"	36"	4 $\frac{13}{16}$ "	18"	3 $\frac{5}{8}$ "	N/A	18 $\frac{7}{8}$ "
5136595	6"	36"	4 $\frac{13}{16}$ "	18"	3 $\frac{3}{4}$ "	N/A	18 $\frac{7}{8}$ "



ETL LISTED  
 CONFORMS TO UL651  
 ETL CONTROL #3107144  
 CONFORMS TO NEMA TC3  
 SEE NEC ARTICLE 352 FOR USE  
 MATERIAL IS RIGID PVC  
 BEND TOLERANCE IS  $\pm 2^\circ$



<b>CANTEX</b> INC. Fort Worth, TEXAS		
30° Elbows, Plain End Schedule 80 36" Radius Elbows		
Drawn By: O.M.	Date: 5/12/17	Ref. 5121094