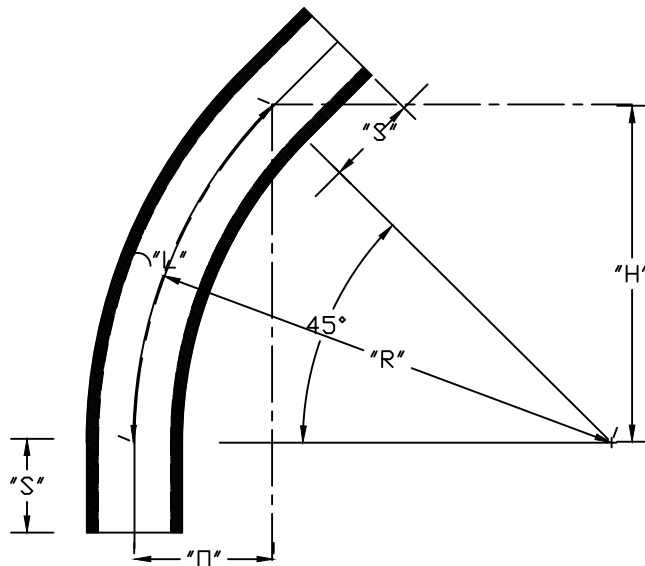


| PART NUMBER | SIZE | "R" | "O" | "H" | "S" MIN | "B" MIN | "L" |
|-------------|------|-------|------|-------|---------|---------|-------|
| 5121003 | ½" | 4" | 1 ⅜" | 2 ⅞" | 1 ½" | N/A" | 3 ⅛" |
| 5121004 | ¾" | 4 ½" | 1 ⅝" | 3 ⅜" | 1 ½" | N/A" | 3 ½" |
| 5121005 | 1" | 5 ¾" | 1 ⅞" | 4" | 1 ⅞" | N/A" | 4 ½" |
| 5121006 | 1 ¼" | 7 ¼" | 2 ⅛" | 5 ⅛" | 2" | N/A" | 5 ⅞" |
| 5121007 | 1 ½" | 8 ¼" | 2 ⅜" | 5 ⅞" | 2" | N/A" | 6 ½" |
| 5121008 | 2" | 9 ½" | 2 ⅜" | 6 ¾" | 2" | N/A" | 7 ½" |
| 5121009 | 2 ½" | 10 ½" | 2 ⅞" | 7 ⅜" | 3" | N/A" | 8 ¼" |
| 5121010 | 3" | 13" | 3 ⅜" | 9 ⅜" | 3 ⅛" | N/A" | 10 ¼" |
| 5121011 | 4" | 16" | 4 ⅞" | 11 ⅞" | 3 ⅜" | N/A" | 12 ⅝" |
| 5121012 | 5" | 24" | 7" | 17" | 3 ⅝" | N/A" | 18 ⅞" |
| 5121013 | 6" | 30" | 8 ⅜" | 21 ¼" | 3 ¾" | N/A" | 23 ⅞" |



ETL LISTED
 CONFORMS TO UL651
 ETL CONTROL #3107144
 CONFORMS TO NEMA TC3
 SEE NEC ARTICLE 352 FOR USE
 MATERIAL IS RIGID PVC
 BEND TOLERANCE IS ±2°



| | | |
|--|---------------|--------------|
| CANTEX INC. Fort Worth, TEXAS | | |
| 45° Elbows Plain End Schedule 80 Standard Radius Elbows | | |
| Drawn By: O.M. | Date: 5/12/17 | Ref. 5121003 |