

Product Specifications

- The entire heater casing shall be constructed of 6063 extruded Aluminum. Minimum thickness of .100" (12 gauge) Aluminum shall be acceptable. Outlet grill shall cover entire length of air discharge opening and be constructed of steel. All casing and grill construction shall be painted with high quality durable powder coated paint.
- The heating element shall be high quality nichrome wire encased in Magnesium Oxide and sealed in a stainless steel tube.
- Linear automatic thermal limit shall extend the entire heater length of element and protect heater in case of an over-temperature condition.
- Optional controls shall be mounted in junction box enclosures at either end of heater. Optional integral thermostat shall be located in junction box with adjustment knob or for tamper-proof operation. Optional disconnect switch shall be mounted in junction box. Optional 120 Volt or air conditioning receptacle shall be mounted in junction box.
- Optional installation accessories shall include inside and outside corner sections for complete wall perimeter fit. Profile of corners and grill shall have appearance of heat sections for continuous architectural design. Corner accessories and heater sections shall be secured by alignment pins for easy alignment of multiple heater applications.

Field Installed Accessories

DESCRIPTION	Standard White		Commercial Brown	
	MFG CATALOG NUMBER	MFG MODEL NUMBER	MFG CATALOG NUMBER	MFG MODEL NUMBER
Single Pole, In-Built T-Stat, 22A @ 120-240V; 18A @ 277V; 0°-110° F	01118702	3900T1	01119502	3900T1C
Double Pole, In-Built T-Stat, 22A @ 120-240V; 18A @ 277V; 0°-110° F	01118802	3900T2	01119602	3900T2C
Air Conditioning Receptacle Section, 20 Amp @ 125-277V	01118902	3900AC	01119902	3900ACC
120V. Receptacle Section, 15 Amp	01119002	3900REC	01120002	3900RECC
Disconnect Switch, 20 Amp @ 125-277VAC; DPST	01119402	3900DS	01120402	3900DSC



OUTSIDE CORNER



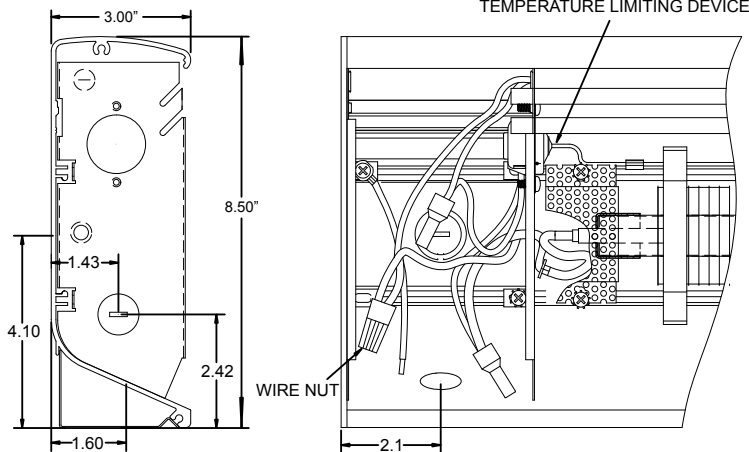
INSIDE CORNER

Outside and inside corner sections are 6" on longest side

Baseboard Sections

STANDARD WHITE		COMMERCIAL BROWN		DESCRIPTION	
MFG CATALOG NUMBER	MFG MODEL NUMBER	MFG CATALOG NUMBER	MFG MODEL NUMBER	SECTION	SIZE
01121502	39BS28	0112215	39BS28C	Blank Section	28"
01121602	39BS36	0112222	39BS36C		36"
01121702	39BS48	0112239	39BS48C		48"
01121802	39BS60	0112246	39BS60C		60"
01121902	39BS72	0112253	39BS72C		72"
01122002	39BS96	0112260	39BS96C		96"
01150902	39BS120	0115100	39BS120C		120"
01119102	3900-ICS	0112017	3900-ICSC	Inside Corner	-
01119202	3900-OCS	0112024	3900-OCSC	Outside Corner	-
01119302	3900-CS	01120302	3900-CSC	Control Section	4" Blank

Dimension



Wireway Covers (White Units Only)

MFG CATALOG NUMBER	MFG MODEL NUMBER	LENGTH	WT. (LBS)
01122802	3900WW28	28"	2
01122902	3900WW36	36"	2.5
01123002	3900WW48	48"	3.5
01123102	3900WW60	60"	4.5
01123202	3900WW72	72"	5.5
01123302	3900WW96	96"	7.5
01151102	3900WW120	120"	7.5