



Project: _____

Fixture Type: _____

Location: _____

Contact/Phone: _____

5" UNIVERSAL TC HOUSING

INCANDESCENT LAMPS

TC20 SERIES

PRODUCT DESCRIPTION

TC Housing design for use in non-insulated areas • If installed where insulation is present, the insulation must be pulled back 3" from all sides of the TC housing.

PRODUCT SPECIFICATIONS

Lamp Lamp ratings based on trim selected—see page 2.

Socket Medium base porcelain with nickel-plated copper screw shell
• Drop socket with spring to accommodate certain trim installation.

Trims Trim selection shown on reverse.

Labels UL listed for through-branch wiring, damp locations and IP
• Product thermally protected against improper use of lamps or insulation
• Union made • UL Listed/CSA certified • Trims 210N, 211 and 212N are wet location approved for covered ceiling applications • Trims 215 and 216 are wet location approved for covered ceiling applications, **when used with outdoor rated lamps.**

Testing All reports are based on published industry procedures; field performance may differ from laboratory performance.
Specifications subject to change without notice.

INSTALLATION

Real Nail® Bar Hangers Telescoping, Patented (US Patent D552,969) Real Nail 3 and Real Nail 2 systems permits quick placement of housing anywhere within 24" O.C. joists or suspended ceilings • Bars scored in two locations for fast, clean breaking, allowing housing installation in tight applications • Bars captive to mounting frame • Edge-mounted for extra strength • Quick-Loc slot (location identified on the mounting frame) and oversized locking set screw lock fixture in position • May be installed either perpendicular or parallel to junction box.

Real Nail 3 Bar Hanger Integral T-bar notch and clip secures housing in suspended ceiling grid – no accessory clips required • 24" expansion stop allows quick placement of fixture in standard grid spacing
• Captive bugle-headed ring shank nail for quick one-step installation and easy removal with claw hammer for fixture relocation • Bar hanger foot contoured to align to bottom of construction joist • Alternate mounting holes included.

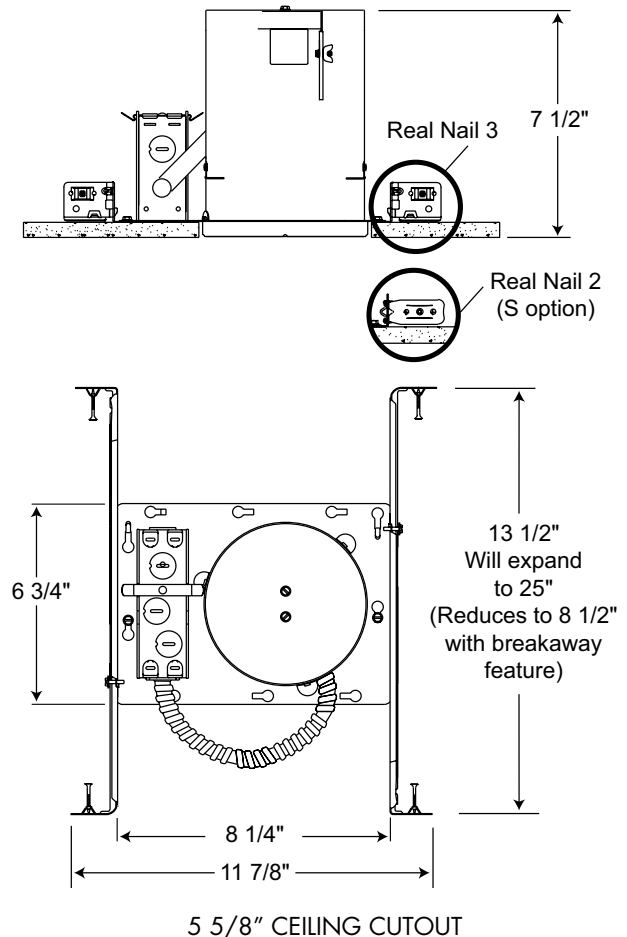
Real Nail 2 Bar Hanger (S options) Small bar hanger foot designed to install directly on strapping construction material • Features Real Nail captive nail system for quick one-step installation • G2405 accessory clips required for suspended ceiling installation.

Junction Box Pre-wired junction box provided with (5) ½" and (1) ¾" knockouts, (4) Non-metallic sheathed cable connectors and ground wire, UL listed/CSA certified for through-branch wiring, maximum 8 No. 12 AWG 90° C branch circuit conductors (4 in, 4 out) • Junction box provided with removable access plates • Knockouts equipped with pryout slots

Mounting Frame 22-gauge die-formed galvanized steel mounting frame • Rough-in section (junction box, mounting frame, housing and bar hangers) fully assembled for ease of installation • Sight lines embossed on mounting frame to allow for easy viewing when aligning fixtures.

Housing .032" aluminum housing • Housing is vertically adjustable to accommodate up to a 1" ceiling thickness.

DIMENSIONS



Accessories

Catalog Number	Description
G2405	T-Bar Clips (Set of 4), for S option only

To order, specify catalog number.

PRODUCT CODES

Catalog Number		Input Voltage	Lamp Rating
TC20	5" Incandescent New Construction Non-IC Housing	120V	A19/BR30/PAR20/PAR30/PAR30L/R20 (See page 2 for max. trim rating)
TC20 S	5" Incandescent New Construction Non-IC Housing with smaller footprint bar hanger (Real Nail 2)	120V	A19/BR30/PAR20/PAR30/PAR30L/R20 (See page 2 for max. trim rating)

Housing and trim can be ordered together or separate, but will always ship separately.

5" UNIVERSAL TC HOUSING

INCANDESCENT LAMPS

TC20 SERIES

TRIMS/LAMPS

Rating

R20

5W PAR30L,
/Socket Extender5W PAR30L,
/Socket Extender

R20

	Catalog Number	Description	Max. Lamp Rating
	201N WH	Open Frame Trim, White	65W BR30
**	203 BWH 203 WWH	Black Baffle, White Trim Ring White Baffle, White Trim Ring	75W PAR30, 65W BR30
**	205 BWH 205 WWH 205 BSC 205 BABZ	Black Baffle, White Trim Ring White Baffle, White Trim Ring Black Baffle, Satin Chrome Trim Ring Black Baffle, Classic Aged Bronze Trim Ring	75W PAR30, 65W BR30
**	204 CWH 204 GWH 204 BWH 204 PTSC 204 HZWH 204 WWH 204 WHZWH 204 WHZABZ	Clear Alzak® Cone, White Trim Ring Gold Alzak® Cone, White Trim Ring Black Alzak® Cone, White Trim Ring Pewter Alzak® Cone, Satin Chrome Trim Ring Haze Cone, White Trim Ring Gloss White Cone, White Trim Ring Wheat Haze Cone, White Trim Ring Wheat Haze Cone, Classic Aged Bronze Trim Ring	75W PAR30L, 75W PAR30, 65W BR30
**	206 CWH 206 GWH 206 BWH 206 PTSC 206 HZWH 206 WHZWH 206 WHZABZ	Clear Alzak® Cone, White Trim Ring Gold Cone, White Trim Ring Black Cone, White Trim Ring Pewter Cone, Satin Chrome Trim Ring Haze Cone, White Trim Ring Wheat Haze Cone, White Trim Ring Wheat Haze Cone, Classic Aged Bronze Trim Ring	75W PAR30, 65W BR30
**	207 CWH 207 GWH 207 BWH 207 WWH 207 HZWH 207 WHZWH	Clear Alzak® Cone, White Trim Ring Gold Cone, White Trim Ring Black Cone, White Trim Ring White Cone, White Trim Ring Haze Cone, White Trim Ring Wheat Haze Cone, White Trim Ring	50W PAR20/R20
AIR-LOC	215 BWH ◆◆ 215 WWH ◆◆	Black Baffle, White Trim Ring White Baffle, White Trim Ring	75W PAR30L, 75W PAR30 w/Socket Extender, 60W A19, 85W BR30
AIR-LOC	216 CWH ◆◆ 216 GWH ◆◆ 216 WWH ◆◆ 216 HZWH ◆◆ 216 WHZWH ◆◆	Clear Alzak® Cone, White Trim Ring Gold Cone, White Trim Ring White Cone, White Trim Ring Haze Cone, White Trim Ring Wheat Haze Cone, White Trim Ring	75W PAR30L, 75W PAR30 w/Socket Extender, 85W BR30, 60W A19 (Clear, Gold, Haze and Wheat Haze Cones), 40W A19 (White Cone)
	208N BWH 208N WWH	Eyeball with Black Baffle, White Trim Ring Eyeball with White Baffle, White Trim Ring	50W PAR20/R20
	529 WH 529 SC 529 ABZ	Eyeball Trim, White Eyeball Trim, Satin Chrome Eyeball Trim, Classic Aged Bronze	75W PAR30
	209N WH	Gimbal Ring with Flat Trim, White	75W PAR30
	688 BWH 688 WWH	Black Baffle, White Trim Ring White Baffle, White Trim Ring	75W PAR30
	689 CWH 689 GWH 689 HZWH 689 WHZWH 689 WHZABZ	Clear Alzak® Cone, White Trim Ring Gold Cone, White Trim Ring White Cone, White Trim Ring Haze Cone, White Trim Ring Wheat Haze Cone, White Trim Ring	75W PAR30
AIR-LOC	210N WH ◆ 210N SC ◆ 210N ABZ ◆	Lensed Flat Glass Shower Trim, White Lensed Flat Glass Shower Trim, Satin Chrome Lensed Flat Glass Shower Trim, Classic Aged Bronze	40W A19
AIR-LOC	211 PW ◆	Lensed Dome Glass Shower Trim, Plastic White	40W A19
AIR-LOC	212N WH ◆ 212N SC ◆ 212N ABZ ◆	Frosted Lens with Clear Center Trim, White Frosted Lens with Clear Center Trim, Satin Chrome Frosted Lens with Clear Center Trim, Classic Aged Bronze	60W A15, 75W PAR30

Trim Size: 6¼" O.D. (except Cat No. 529 - 6½" O.D.)
Alzak is a registered trademark of Alcoa Corp.
Note: In Canada when insulation is present,
Type IC fixtures must be used.

◆ UL Listed for use in wet location.

◆◆ UL Listed for use in wet location with outdoor rated lamp.

** NOTE: TR5 Trim Ring compatible with 203, 204, 205,
206, 207 trims.

Housing and trim can be ordered together or separate,
but will always ship separately.