

# WP1SN70

Compact Wallpack. UV stabilized, vandal resistant prismatic polycarbonate refractor. Lamp supplied.

Color: Bronze

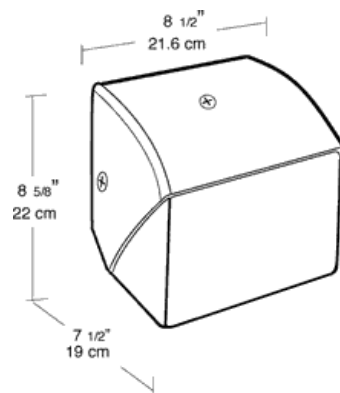
Weight: 7.4 lbs

## Lamp Info

Type: ED17  
 Watts: 70W  
 Shape/Size: N/A  
 Base: N/A  
 ANSI: N/A  
 Hours: 24,000  
 Lamp Lumens: 6,300  
 Efficacy: 73 LPW

## Ballast Info

Type: R-NPF 120V  
 120V: 2.3/1.7A  
 208V: N/A  
 240V: N/A  
 277V: N/A  
 Input Watts: 86W  
 Efficiency: 81%



## Technical Specifications

### UL Listing:

Suitable for wet locations. HID fixtures can be wired with 90°C supply wiring if supply wires are routed 3" away from the ballast.

### Housing:

Die cast aluminum, 1/2" NPS tapped top, both sides and back for conduit or photocontrol. Hinged refractor. Continuous one piece silicone rubber gasket.

### Reflector:

Semi-Specular anodized aluminum, removable for installation. Symmetrical light pattern maximizes distance between fixtures.

### Finish:

Our environmentally friendly polyester powder coatings are formulated for high-durability and long-lasting color, and contains no VOC or toxic heavy metals.

### Conduit Openings:

Top, side and back.

### Template:

Drilling template for easy wall box mounting.

### Patents:

Pat. D440,683.