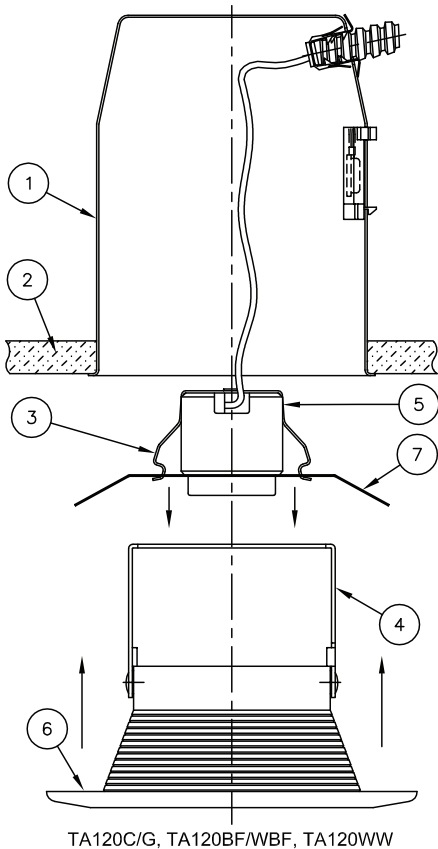


IMPORTANT SAFETY INFORMATION. READ AND FOLLOW SAFETY INSTRUCTIONS. Follow label information and instructions concerning wet or damp locations, installation near combustible materials, insulation, building materials, and proper lamping. Do not install in areas subject to combustible vapors or gases. Before wiring to power supply and during servicing or relamping, turn off power at fuse or circuit breaker. **All servicing or relamping must be performed by qualified service personnel. Product must be grounded to avoid potential electric shock or other potential hazard. Product must be mounted in locations and at heights in a manner consistent with its intended use, in compliance with the National Electrical Code and local codes.** The use of accessory equipment not recommended by the manufacturer or installed contrary to instructions may cause an unsafe condition. Do not block light emanating from product in whole or part, as this may cause an unsafe condition. Do not allow items such as drapes, curtains, screens, or the like to come into contact with the product or to block light from the product, as this may cause an unsafe condition.

TA120C/G, TA120BF/WBF, TA120WW

WARNING - IF ANY SPECIAL CONTROL DEVICES ARE USED WITH THIS FIXTURE, FOLLOW THE INSTRUCTIONS CAREFULLY TO ASSURE FULL COMPLIANCE WITH N.E.C. REQUIREMENTS. IF THERE ARE ANY QUESTIONS, CONTACT A QUALIFIED ELECTRICAL CONTRACTOR.

CAUTION: All Glass is Fragile, use care when Handling Lamp. See Wattage Label inside Housing for proper Lamping Information.



1. Install the Fixture Housing (1) in the Ceiling (2) according to the instructions supplied with the Fixture.
2. Lower the Socket (5).
3. Attach Spring (7) to Socket (5), Compress the Socket Spring (3) while inserting Socket into Spring (7) opening, then release.
4. Attach Socket (5) to Bracket (4) opening, then Rotate Clockwise to tighten.
5. Center the Trim (6) in the Housing and push upward until the Flange is flush with the Ceiling.
6. Install the proper Lamp (8) (NOT FURNISHED) as per the wattage Label inside Housing.

To Remove Trim:

1. Remove Trim (6) from Ceiling (2) by turning Trim (6) counter-clockwise. Bracket (4) will release from Socket (5). (Bracket (4) should loosen without much force).
2. To retrieve Spring (7), reach up inside Housing (1) and pull springs down. Refer to step 3 for reinstalling.

