

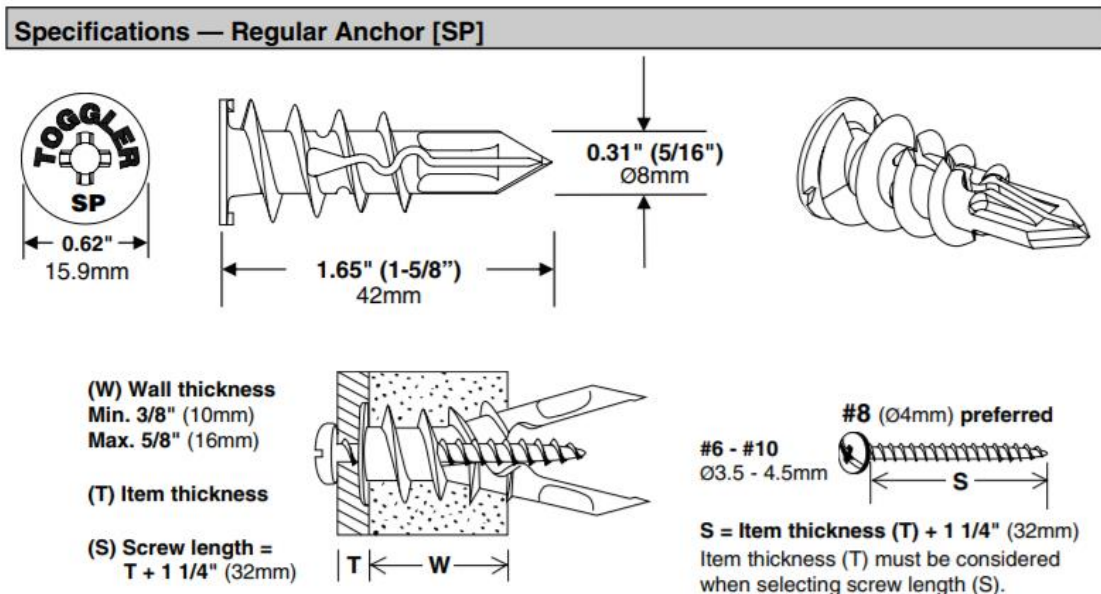


# Metallics

An **AMERICAN** Source For Premier  
and Innovative Fasteners and Anchors

## TOGLER SNAPSKRU® SELF-DRILLING DRYWALL ANCHORS

The following Specification Sheet applies to all **Toggler Snapskru® Self-Drilling Drywall Anchors** in our **ASP** series.



**Description** — SnapSkrü Regular [SP] Self-drilling Drywall Anchor

**Material** — Injection-Molded, Glass-Filled Nylon (Proprietary Thermo-Plastic Alloy)

**Screw Specification** — Sheet Metal Screw (SMS), fully threaded in anchor

**Screw Size Range, Diameter** — #6, #7, #8 (**preferred**), #10;  
Ø3.5mm, Ø 4.0mm (**preferred**), Ø4.5mm,

**Screw Size, Minimum Length** — 1 1/4" (32mm) + thickness of item being anchored

**Minimum Drywall Thickness** — 3/8" (10mm)

**Maximum Drywall Thickness** — 5/8" (16mm)

**TIP:** The anchor can be used in double thickness drywall (1-1/4") — drill a 1/4" pilot hole first.

**Minimum Clearance Behind Wall For Anchor** — 1-1/8" (29mm) clearance behind 1/2" (13mm) drywall  
1" (25mm) clearance behind 5/8" (16mm) drywall

[Additional clearance may be needed for extra-long screws.]

### Metallics

229 Cross Street  
Bristol, CT 06010

[www.metallics.us](http://www.metallics.us)

Phone: 860 589-4186 Toll Free: 800 243-8272

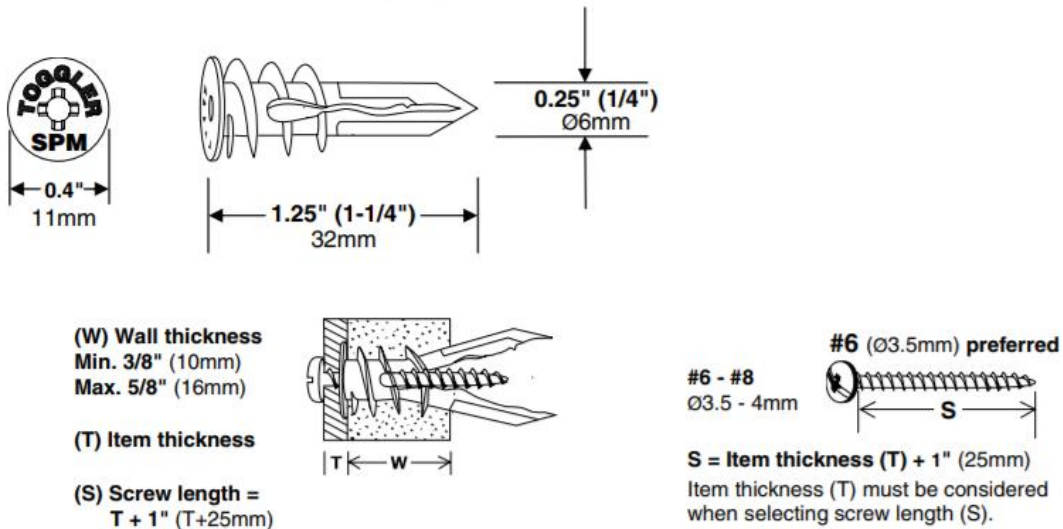
Fax: 860 584-1008 Toll Free Fax: 800 831-9358



# Metallics

An **AMERICAN** Source For Premier  
and Innovative Fasteners and Anchors

## Specifications — *MINI* Anchor [SPM]



**Description** — SnapSku *MINI* [SPM] Self-drilling Drywall Anchor

**Material** — Injection-Molded, Glass-Filled Nylon (Proprietary Thermo-Plastic Alloy)

**Screw Specification** — Sheet Metal Screw (SMS), fully threaded in anchor

**Screw Size Range, Diameter** — #6 (preferred), #7, #8;  
Ø3.5mm (preferred), Ø4mm

**Screw Size, Minimum Length** — 1" (25mm) + thickness of item being anchored

**Minimum Drywall Thickness** — 3/8" (10mm)

**Maximum Drywall Thickness** — 5/8" (16mm) **TIP:** The anchor can be used in double thickness drywall (1-1/4") — drill a 3/16" pilot hole first.

**Minimum Clearance Behind Wall For Anchor** — 5/8" (16mm) clearance behind 1/2" (13mm) drywall

1/2" (13mm) clearance behind 5/8" (16mm) drywall

[Additional clearance may be needed for extra-long screws.]

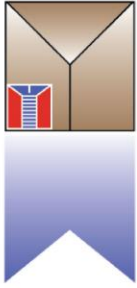
## Metallics

229 Cross Street  
Bristol, CT 06010

[www.metallics.us](http://www.metallics.us)

Phone: 860 589-4186 Toll Free: 800 243-8272

Fax: 860 584-1008 Toll Free Fax: 800 831-9358



# Metallics

An **AMERICAN** Source For Premier  
and Innovative Fasteners and Anchors

## Installation Instructions

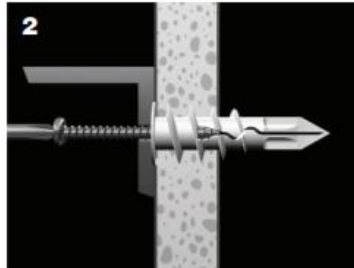
### Tools Needed:

Screw gun with #2 Phillips bit [or #2 Phillips screwdriver, or electric drill with clutch mechanism & #2 bit]



Press tip of SnapSku anchor into drywall using #2 Phillips screwdriver or screw gun. Drive anchor clockwise into drywall until anchor stops flush with the outer wall surface.

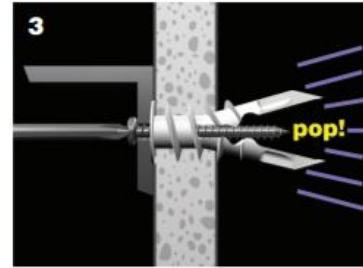
**TIP:** To keep anchor in precise position during installation (critical for aligning several anchors), push tip of screwdriver into drywall to mark insertion point.



Place item over anchor and insert any fully-threaded screw.

For *MINI* anchor  
#6 through #8 (#6 preferred).  
[Ø3.5 - 4.5mm, 4mm preferred]

For Regular anchor:  
#6 through #10 (#8 preferred).  
[Ø3.5 - 4.5mm, 4mm preferred]



Tighten screw flush with item.

The screw pops open the anchor, locking it on the wall and holding the gypsum board in compression. This reinforces the wall, increasing its holding power significantly.

Anchor:	MINI	Regular	MINI	Regular
<i>Tested in:</i>	<b>ULTIMATE TENSILE [lb]</b>		<b>ULTIMATE SHEAR [lb]</b>	
<b>3/8" Drywall</b>	57	57	105	108
<b>1/2" Drywall</b>	65	79	131	149
<b>5/8" Drywall</b>	95	135	175	178
<i>Screw tested:</i>	#6 x 1¼"	#8 x 1½"	#6 x 1¼"	#8 x 1½"

The above table of ultimate tensile and shear values is to be used as a guide only. Due to variability and condition of wall materials and construction methods, TOGGLER Anchor System cannot

### Metallics

229 Cross Street  
Bristol, CT 06010

[www.metallics.us](http://www.metallics.us)

Phone: 860 589-4186 Toll Free: 800 243-8272

Fax: 860 584-1008 Toll Free Fax: 800 831-9358