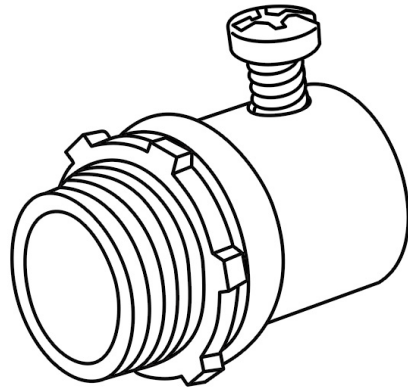




## SET SCREW CONNECTORS-STEEL



### FEATURES & BENEFITS

- TUBULAR CONSTRUCTION W/ STAKED ROBERTSON HEAD SCREWS
- CONCRETE-TIGHT WHEN TAPED
- MEETS UL514B. FED SPEC W-F-408E. NEMA FB-1
- UL AND cUL LISTED FOR EMT, IMC AND RIGID CONDUIT
- 1-1/4"-4" FURNISHED WITH 2 SET SCREWS

### SPECIFICATIONS

Cat. Number	Trade Size	EMT	Shelf Qty.	Master Qty.
MES-750	1/2"	1/2"	50	250
MES-750-5P			0	500
MES-751	3/4"	3/4"	25	125
MES-751-4P			0	400
MES-752	1"	1"	20	100
MES-753	1-1/4"	1-1/4"	5	25
MES-754	1-1/2"	1-1/2"	0	10
MES-755	2"	2"	0	10
MES-756	2-1/2"	2-1/2"	0	8
MES-757	3"	3"	0	4
MES-758	3-1/2"	3-1/2"	0	4
MES-759	4"	4"	0	4