

# PHILIPS Day-Brite CFI

Recessed

EvoGrid  
LED 2x4

Up to 7400 lumens



Project: \_\_\_\_\_  
 Location: \_\_\_\_\_  
 Cat.No: \_\_\_\_\_  
 Type: \_\_\_\_\_  
 Lamps: \_\_\_\_\_ Qty: \_\_\_\_\_  
 Notes: \_\_\_\_\_

The Philips Day-Brite / Philips CFI EvoGrid LED recessed utilizes highly reliable and efficient Philips LED platform boards and dimmable driver enabling market leading performance in its category. Its soft opal diffuser with large luminous area minimizes apparent brightness compared to other basket luminaires and provides general lighting perfect for a wide variety of applications.

## Ordering guide

Example: 2EVG38L840-4-D-UNV-DIM

Width	Family	Ceiling Type	Air Function	Lumens	Color	Length	Center Diffuser	Voltage	Driver	Options
2	EV	G				4				
2' 2"	EV EvoGrid	G Grid	blank Static H Air Return	<b>Standard efficacy</b> 38L 3800 nominal delivered lumens 43L 4300 nominal delivered lumens 48L 4800 nominal delivered lumens 54L 5400 nominal delivered lumens 74L 7400 nominal delivered lumens  <b>High efficacy</b> 38LH 3800 nominal delivered lumens 43LH 4300 nominal delivered lumens 48LH 4800 nominal delivered lumens 54LH 5400 nominal delivered lumens 74LH 7400 nominal delivered lumens	830 <sup>1</sup> 80 CRI, 3000K 835 80 CRI, 3500K 840 80 CRI, 4000K 850 <sup>1</sup> 80 CRI, 5000K	4' 4"	D Diffuse (opal) DS Diffuse smooth (opal) R Diffuse round ribbed (opal) RS Diffuse round smooth (opal)	UNV Universal Voltage, 120-277 volt 120 <sup>2</sup> 120V 277 <sup>2</sup> 277V 347 347V	DIM <sup>3,9</sup> 0-10v dimming SDIM <sup>4</sup> Step dimming to 40% input power XDIM <sup>2</sup> MarkX phase dimming L3D <sup>5</sup> Lutron Hi-lume A 1% dimming LDE Lutron LDE5, 5% dimming DALI DALI	F1 3/8" flex, 3 wire 18 gauge 6' F2 3/8" flex, 4 wire 18 gauge 6' F1/D 3/8" twin flex, 3 wire 18 gauge 6' for dimmable luminaires F2/5W 3/8" single flex, 5 wire 18 gauge 6' for dimmable luminaires F2/6W 3/8" single flex, 6 wire 18 gauge 6' for dimmable and emergency luminaires GLR Fusing, fast blow EMLED Integral emergency battery pack, 1100lm nominal (ballast enclosure on top of luminaire) SWZG2 <sup>6,7</sup> Integral sensor, daylighting and occupancy, advanced grouping with dwell time and zoning SWZDT <sup>6</sup> Integral sensor, daylighting and occupancy, advanced grouping with dwell time DAYOCC <sup>6</sup> Integral sensor, daylighting and occupancy, basic grouping CHIC Chicago Plenum rated CRM <sup>8</sup> Continuous row mount

## Footnotes

- 3000K and 5000K color temperatures available only on high efficacy configurations
- XDIM requires 120V or 277V specification.
- Integral SWZDT and DAYOCC options dimmable to 5% via wireless all switch. See page 2.
- Consult factory for SDIM on 74L and 74LH packages.
- Specify with 38L or 43L lumen packages only. Consult factory for higher lumen packages.
- Specify only with -DIM driver option
- Must order SWZ-REMOTE SpaceWise handheld remote with each system order.
- CRM includes side cover with top access plate and additional end cover. 7/8" gap between fixtures.
- Non-controls and SWZG2 configurations are 0-10v dimmable to 1% for Standard configurations. Base configurations are 0-10v dimmable to 5%.

## SpaceWise accessories (order separately)

- LRM1743** – External sensor to increase occupancy coverage area of SpaceWise luminaire groups
- SWZ-REMOTE** – SpaceWise handheld remote for grouping and configuration (at least one remote required for any SpaceWise installation)
- UID8451/10** – Wireless Dimmer Switch Selector
- UID8461/10** – Wireless Scene Selector

## Other accessories (order separately)

- FMA24** – 2'x4' "F" mounting frame for NEMA "F" mounting
- EVD4L** – EvoGrid 2'x4' rectangular ribbed replacement lens
- EVDS4L** – EvoGrid 2'x4' rectangular smooth replacement lens
- EVR4L** – EvoGrid 2'x4' round ribbed replacement lens
- EVR54L** – EvoGrid 2'x4' round smooth replacement lens
- FSK24** – 2'x4' surface mount field installation kit, order with -TAP (top access plate) option (SWZG2 option not available)



# 2EV EvoGrid LED recessed 2x4

Up to 7400 lumens

## Application

- A highly efficient, visually comfortable, architecturally styled recessed LED luminaire designed with a minimalistic strategy to achieve sustainable objectives.
- Low profile configuration is only 2-3/4" deep, requiring minimal plenum space.
- Soft opal diffuser with large luminous area minimizes apparent brightness and provides high visual comfort perfect for a wide variety of general lighting applications like offices, schools, retail, or healthcare.
- Multiple lumen packages over a wide range to provide significant application flexibility over light levels and/or luminaire spacing.
- Directs a controlled amount of light to the higher angles in the room to balance the brightness of the surfaces and eliminate "cave effect" while creating the impression of a larger, brighter space without glare.
- Excellent color rendering with a CRI of 80.
- LEDs are an excellent source for use with controls since dimming or frequent switching does not degrade the performance or life of the source. Integral or external sensors are available for use.
- Designed for use with standard Grid (NEMA "G") or Narrow Grid (NEMA "NFG") ceiling T-bars. Drywall or plaster requirements can be accommodated by using an FMA24 "F" mounting frame (sold separately.)
- Continuous row mount option (CRM) includes wireway covers on each end and on one side of housing.

## Construction/Finish

- Uncomplicated design is 2-3/4" in depth and only requires a few parts outside of the electrical system and hardware, creating several benefits:
  - Less material required
  - Less packaging required
  - Reduced weight
  - Less energy required for construction and assembly
  - More luminaires can be shipped per truck to reduce fuel use and emissions
- Luminaire finish is matte white polyester for a high quality, durable finish.
- T-bar grid clips are integral to body.

## Electrical

- Integral sensor options for occupancy sensing and/or daylight harvesting are available for additional energy savings with no reduction of life or increase in installation labor.
- Total luminaire efficacy exceeding 139 LPW (lumens per Watt) with high efficiency packages.
- LED board is easily accessible from below without tools. Single LED board is replaceable if needed via plug-in connectors to ensure long service life.
- LED driver is accessible from above.
- Emergency driver is accessible from above. To estimate lumen output in emergency mode, multiply emergency pack wattage by efficacy, then by 1.10. Typical lumen output is 1300lm for EMLED.
- Step dim 100/40% and additional dimming options available.
- Five year limited luminaire warranty includes LED boards and driver. Visit [www.philips.com/warranties](http://www.philips.com/warranties) for complete warranty information.
- TM-21 predicted L70 lumen maintenance up to 80,000 hours for high efficacy and 50,000 hours for standard efficacy configurations.
- cETLus listed to UL and CSA standards, suitable for damp locations.
- EvoGrid luminaires are DesignLights Consortium® qualified. Please see the DLC QPL list for exact catalog numbers (<http://www.designlights.org/QPL>)

## Enclosure

- Opal diffuser provides soft, comfortable lighting while maintaining high efficiency.
- Diffuser requires no frames or fasteners and can be easily removed from below without tools if needed.

## General Notes

- All options factory installed.
- All accessories are field installed.
- Many luminaire components, such as reflectors, refractors, lenses, sockets, lampholders, and LEDs are made from various types of plastics which can be adversely affected by airborne contaminants. If sulfur based chemicals, petroleum based products, cleaning solutions, or other contaminants are expected in the intended area of use, consult factory for compatibility.

## SpaceWise (SWZG2)

- Commissioning via SWZ-REMOTE handheld remote, must order a minimum of one per installation
- Integral sensing options (DAYOCC, SWZG2, SWZDT) may not be combined
- For more information on the sensor, please refer to [www.lightingproducts.philips.com/documents/webdb2/DayBrite/pdf/SWZG2\\_sensor.pdf](http://www.lightingproducts.philips.com/documents/webdb2/DayBrite/pdf/SWZG2_sensor.pdf)
- Visit [Philips.com/spacewise](http://Philips.com/spacewise) for more information about SpaceWise Technology (SWZG2)

## DAYOCC & SpaceWise DT (SWZDT)

- Commissioning via compatible Android phone and Philips Field App
- Dimming via compatible wireless wall switch only (see below)
- Register for the commissioning app at <http://registration.componentcloud.philips.com/appregistration/>
- Integral sensing options (DAYOCC, SWZG2, SWZDT) may not be combined
- For more information including recommended switches, refer to the following –
  - DAYOCC** – [www.lightingproducts.philips.com/documents/webdb2/DayBrite/pdf/DAYOCC\\_sensor.pdf](http://www.lightingproducts.philips.com/documents/webdb2/DayBrite/pdf/DAYOCC_sensor.pdf)
  - SWZDT** – [www.lightingproducts.philips.com/documents/webdb2/DayBrite/pdf/SWZDT\\_sensor.pdf](http://www.lightingproducts.philips.com/documents/webdb2/DayBrite/pdf/SWZDT_sensor.pdf)

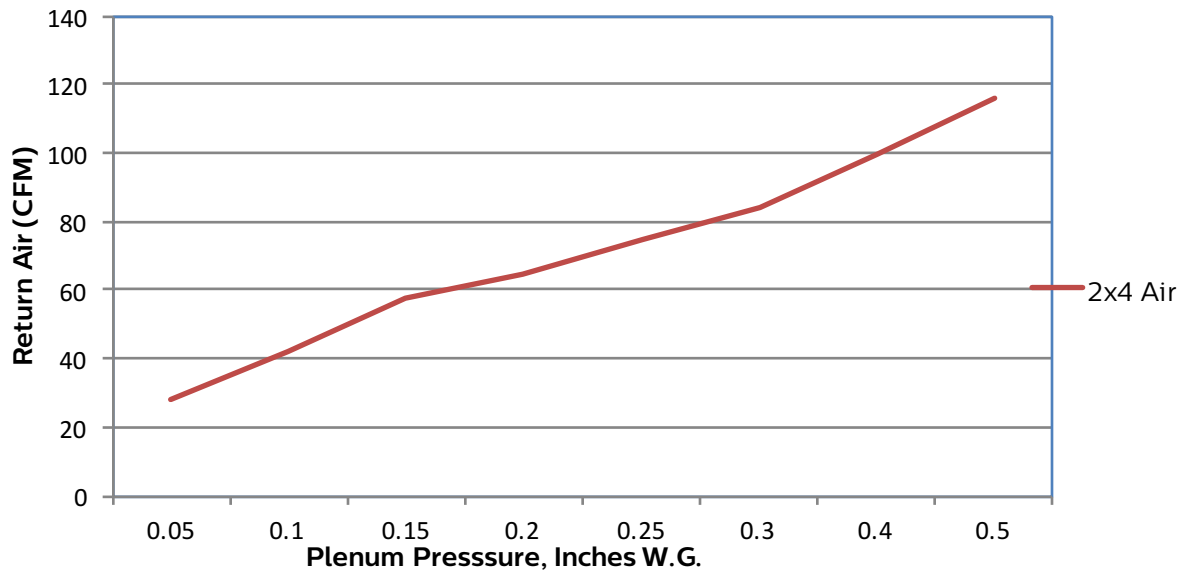
## Energy data

Luminaire	Catalog Number	Input Power	Efficacy
2x4	2EVG38L840-4-D	37	110
	2EVG43L840-4-D	41	108
	2EVG48L840-4-D	48	105
	2EVG54L840-4-D	55	103
	2EVG74L840-4-D	83	93
	2EVG38L840-4-R	31	124
	2EVG43L840-4-R	35	124
	2EVG48L840-4-R	40	122
	2EVG54L840-4-R	46	120
	2EVG74L840-4-R	67	111
2x4 High Efficacy	2EVG38LH840-4-D	27	139
	2EVG43LH840-4-D	32	139
	2EVG48LH840-4-D	36	138
	2EVG54LH840-4-D	39	137
	2EVG74LH840-4-D	56	134
	2EVG38LH840-4-R	26	142
	2EVG43LH840-4-R	30	142
	2EVG48LH840-4-R	34	143
2EVG54LH840-4-R	39	143	
2EVG74LH840-4-R	53	140	

# 2EV EvoGrid LED recessed 2x4

Up to 7400 lumens

---

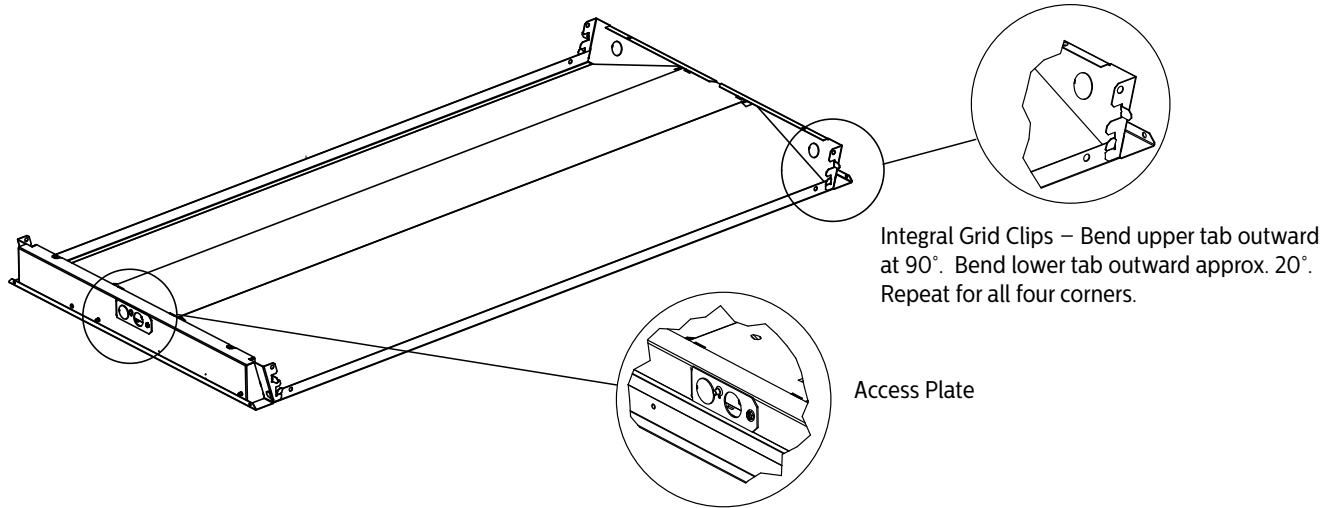
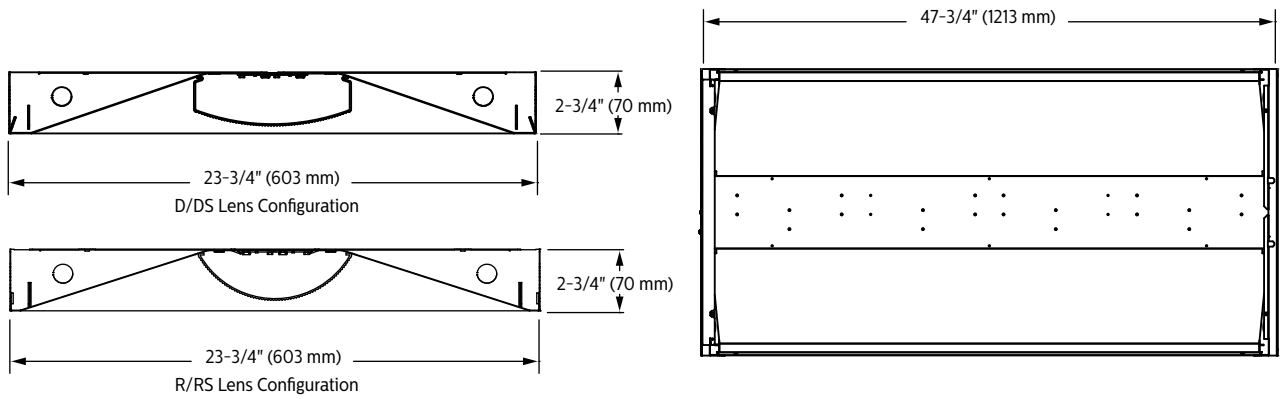


Pressure	0.05	0.1	0.15	0.2	0.25	0.3	0.4	0.5
CFM	28	42	58	65	75	84	100	116
Noise	<15	24	34	37	41	45	47	49

# 2EV EvoGrid LED recessed 2x4

Up to 7400 lumens

## Dimensions



SpaceWise (SWZG2) automated wireless technology is available for integrated occupancy and daylight harvesting. Individual options for dimming, occupancy detection, and daylight harvesting are also available if SpaceWise option is not selected.

SpaceWise DT (SWZDT) sensor is located in the center on one end flange similar to SWZG2 shown.

# 2EV EvoGrid LED recessed 2x4

Up to 7400 lumens

## Photometry

### 2x4 EvoGrid recessed LED, high efficacy, 4800 nominal delivered lumens

LER – 138

<b>Catalog No.</b>	2EVG48LH840-4-D-UNV-DIM
<b>Test No.</b>	34935
<b>S/MH</b>	1.2
<b>Lamp Type</b>	LED
<b>Lumens</b>	4897
<b>Input Watts</b>	36

Comparative yearly lighting energy cost per 1000 lumens – **\$1.74** based on 3000 hrs. and \$.08 pwr KWH.

The photometric results were obtained in the Philips Day-Brite laboratory which is NVLAP accredited by the National Institute of Standards and Technology.

Photometric values based on test performed in compliance with LM-79.

#### Candlepower

Angle	End	45	Cross	Back-45
0	1778	1778	1778	1778
5	1749	1771	1782	1771
15	1669	1701	1714	1701
25	1509	1545	1566	1545
35	1283	1333	1364	1333
45	1022	1087	1134	1087
55	751	838	913	838
65	494	613	704	613
75	264	393	465	393
85	74	114	119	114

#### Light Distribution

Degrees	Lumens	% Luminaire
0-30	1358	27.7
0-40	2189	44.7
0-60	3775	77.1
0-90	4899	100.0
0-180	4899	100.0

#### Average Luminance

Zone	End	45'	Cross
45	7532	8012	8362
55	6828	7614	8295
65	6090	7566	8686
75	5319	7922	9360
85	4450	6795	7112

#### Coefficients of Utilization

pcc	EFFECTIVE FLOOR CAVITY REFLECTANCE 20 PER (pfc=0.20)								
	80			70			50		
pw	70	50	30	70	50	30	50	30	
RCR									
0	118	118	118	115	115	115	111	111	
1	108	103	98	106	101	96	96	93	
2	97	90	82	95	88	81	83	79	
3	90	79	69	86	77	68	73	68	
4	81	69	60	80	68	59	66	58	
5	75	61	53	72	60	53	58	52	
6	69	56	46	68	55	46	53	46	
7	65	51	41	63	50	41	48	40	
8	59	46	38	58	46	38	45	36	
9	56	42	34	55	41	34	40	34	
10	53	40	32	52	39	30	38	30	

### 2x4 EvoGrid recessed LED, 4800 nominal delivered lumens

LER – 105

<b>Catalog No.</b>	2EVG48L840-4-D-UNV-DIM
<b>Test No.</b>	34090
<b>S/MH</b>	1.2
<b>Lamp Type</b>	LED
<b>Lumens</b>	5015
<b>Input Watts</b>	48

Comparative yearly lighting energy cost per 1000 lumens – **\$1.29** based on 3000 hrs. and \$.08 pwr KWH.

The photometric results were obtained in the Philips Day-Brite laboratory which is NVLAP accredited by the National Institute of Standards and Technology.

Photometric values based on test performed in compliance with LM-79.

#### Candlepower

Angle	End	45	Cross	Back-45
0	1830	1830	1830	1777
5	1813	1820	1825	1770
15	1725	1739	1746	1700
25	1554	1571	1582	1541
35	1317	1347	1365	1330
45	1048	1096	1132	1086
55	771	851	930	838
65	510	642	733	614
75	279	417	485	394
85	81	123	132	111

#### Light Distribution

Degrees	Lumens	% Luminaire
0-30	1387	27.6
0-40	2228	44.4
0-60	3836	76.4
0-90	5019	100.0
0-180	5020	100.0

#### Average Luminance

Zone	End	45'	Cross
45	7725	8080	8349
55	7009	7732	8457
65	6290	7919	9045
75	5613	8389	9769
85	4870	7342	7903

#### Coefficients of Utilization

pcc	EFFECTIVE FLOOR CAVITY REFLECTANCE 20 PER (pfc=0.20)								
	80			70			50		
pw	70	50	30	70	50	30	50	30	
RCR									
0	118	118	118	115	115	115	111	111	
1	108	103	98	105	101	96	96	93	
2	97	90	82	94	88	81	83	79	
3	89	79	69	86	77	68	73	67	
4	81	69	60	79	68	59	66	57	
5	75	61	53	72	60	52	58	51	
6	69	56	46	68	55	46	53	46	
7	65	51	41	63	50	41	47	40	
8	59	46	38	58	46	38	44	36	
9	56	42	34	55	41	34	40	34	
10	53	39	32	51	39	30	38	30	

# 2EV EvoGrid LED recessed 2x4

Up to 7400 lumens

## 2x4 EvoGrid recessed LED, high efficacy, 4800 nominal delivered lumens

LER – 144

<b>Catalog No.</b> 2EVG48LH840-4-R-UNV-DIM <b>Test No.</b> 38774 <b>S/MH</b> 1.3 <b>Lamp Type</b> LED <b>Lumens</b> 4927 <b>Input Watts</b> 34  Comparative yearly lighting energy cost per 1000 lumens – <b>\$1.67</b> based on 3000 hrs. and \$.08 pwr KWH.  The photometric results were obtained in the Philips Day-Brite laboratory which is NVLAP accredited by the National Institute of Standards and Technology.  Photometric values based on test performed in compliance with LM-79.	<b>Candlepower</b>	<b>Light Distribution</b>	<b>Average Luminance</b>																																																																																																																														
	<table border="1"> <thead> <tr> <th>Angle</th> <th>End</th> <th>45</th> <th>Cross</th> <th>Back-45</th> </tr> </thead> <tbody> <tr><td>0</td><td>1666</td><td>1666</td><td>1666</td><td>1666</td></tr> <tr><td>5</td><td>1634</td><td>1661</td><td>1671</td><td>1661</td></tr> <tr><td>15</td><td>1560</td><td>1599</td><td>1619</td><td>1599</td></tr> <tr><td>25</td><td>1420</td><td>1475</td><td>1513</td><td>1475</td></tr> <tr><td>35</td><td>1227</td><td>1304</td><td>1363</td><td>1304</td></tr> <tr><td>45</td><td>998</td><td>1101</td><td>1186</td><td>1101</td></tr> <tr><td>55</td><td>752</td><td>886</td><td>998</td><td>886</td></tr> <tr><td>65</td><td>468</td><td>674</td><td>780</td><td>674</td></tr> <tr><td>75</td><td>238</td><td>408</td><td>502</td><td>408</td></tr> <tr><td>85</td><td>54</td><td>132</td><td>128</td><td>132</td></tr> </tbody> </table>	Angle	End	45	Cross	Back-45	0	1666	1666	1666	1666	5	1634	1661	1671	1661	15	1560	1599	1619	1599	25	1420	1475	1513	1475	35	1227	1304	1363	1304	45	998	1101	1186	1101	55	752	886	998	886	65	468	674	780	674	75	238	408	502	408	85	54	132	128	132	<table border="1"> <thead> <tr> <th>Degrees</th> <th>Lumens</th> <th>% Luminaire</th> </tr> </thead> <tbody> <tr><td>0-30</td><td>1286</td><td>26.1</td></tr> <tr><td>0-40</td><td>2100</td><td>42.6</td></tr> <tr><td>0-60</td><td>3736</td><td>75.8</td></tr> <tr><td>0-90</td><td>4932</td><td>100.0</td></tr> <tr><td>0-180</td><td>4932</td><td>100.0</td></tr> </tbody> </table>	Degrees	Lumens	% Luminaire	0-30	1286	26.1	0-40	2100	42.6	0-60	3736	75.8	0-90	4932	100.0	0-180	4932	100.0	<table border="1"> <thead> <tr> <th>Zone</th> <th>End</th> <th>45°</th> <th>Cross</th> </tr> </thead> <tbody> <tr><td>45</td><td>7359</td><td>8120</td><td>8741</td></tr> <tr><td>55</td><td>6833</td><td>8050</td><td>9071</td></tr> <tr><td>65</td><td>5772</td><td>8313</td><td>9621</td></tr> <tr><td>75</td><td>4800</td><td>8216</td><td>10115</td></tr> <tr><td>85</td><td>3218</td><td>7919</td><td>7650</td></tr> </tbody> </table>	Zone	End	45°	Cross	45	7359	8120	8741	55	6833	8050	9071	65	5772	8313	9621	75	4800	8216	10115	85	3218	7919	7650																													
Angle	End	45	Cross	Back-45																																																																																																																													
0	1666	1666	1666	1666																																																																																																																													
5	1634	1661	1671	1661																																																																																																																													
15	1560	1599	1619	1599																																																																																																																													
25	1420	1475	1513	1475																																																																																																																													
35	1227	1304	1363	1304																																																																																																																													
45	998	1101	1186	1101																																																																																																																													
55	752	886	998	886																																																																																																																													
65	468	674	780	674																																																																																																																													
75	238	408	502	408																																																																																																																													
85	54	132	128	132																																																																																																																													
Degrees	Lumens	% Luminaire																																																																																																																															
0-30	1286	26.1																																																																																																																															
0-40	2100	42.6																																																																																																																															
0-60	3736	75.8																																																																																																																															
0-90	4932	100.0																																																																																																																															
0-180	4932	100.0																																																																																																																															
Zone	End	45°	Cross																																																																																																																														
45	7359	8120	8741																																																																																																																														
55	6833	8050	9071																																																																																																																														
65	5772	8313	9621																																																																																																																														
75	4800	8216	10115																																																																																																																														
85	3218	7919	7650																																																																																																																														
<b>Coefficients of Utilization</b> EFFECTIVE FLOOR CAVITY REFLECTANCE 20 PER (pfc=0.20)																																																																																																																																	
<table border="1"> <thead> <tr> <th rowspan="2">pcc</th> <th colspan="3">80</th> <th colspan="3">70</th> <th colspan="3">50</th> </tr> <tr> <th>70</th> <th>50</th> <th>30</th> <th>70</th> <th>50</th> <th>30</th> <th>50</th> <th>30</th> </tr> </thead> <tbody> <tr><td>RCR</td><td></td><td></td><td></td><td></td><td></td><td></td><td></td><td></td></tr> <tr><td>0</td><td>118</td><td>118</td><td>118</td><td>115</td><td>115</td><td>115</td><td>111</td><td>111</td></tr> <tr><td>1</td><td>108</td><td>103</td><td>97</td><td>105</td><td>101</td><td>95</td><td>95</td><td>93</td></tr> <tr><td>2</td><td>97</td><td>89</td><td>81</td><td>94</td><td>86</td><td>81</td><td>83</td><td>78</td></tr> <tr><td>3</td><td>89</td><td>78</td><td>68</td><td>85</td><td>76</td><td>68</td><td>72</td><td>67</td></tr> <tr><td>4</td><td>81</td><td>68</td><td>59</td><td>79</td><td>68</td><td>58</td><td>65</td><td>57</td></tr> <tr><td>5</td><td>75</td><td>60</td><td>52</td><td>72</td><td>59</td><td>52</td><td>57</td><td>50</td></tr> <tr><td>6</td><td>68</td><td>55</td><td>46</td><td>67</td><td>54</td><td>46</td><td>52</td><td>45</td></tr> <tr><td>7</td><td>64</td><td>50</td><td>40</td><td>61</td><td>48</td><td>40</td><td>47</td><td>40</td></tr> <tr><td>8</td><td>58</td><td>46</td><td>36</td><td>57</td><td>45</td><td>36</td><td>44</td><td>35</td></tr> <tr><td>9</td><td>56</td><td>41</td><td>34</td><td>54</td><td>40</td><td>33</td><td>40</td><td>33</td></tr> <tr><td>10</td><td>52</td><td>39</td><td>30</td><td>51</td><td>38</td><td>29</td><td>36</td><td>29</td></tr> </tbody> </table>				pcc	80			70			50			70	50	30	70	50	30	50	30	RCR									0	118	118	118	115	115	115	111	111	1	108	103	97	105	101	95	95	93	2	97	89	81	94	86	81	83	78	3	89	78	68	85	76	68	72	67	4	81	68	59	79	68	58	65	57	5	75	60	52	72	59	52	57	50	6	68	55	46	67	54	46	52	45	7	64	50	40	61	48	40	47	40	8	58	46	36	57	45	36	44	35	9	56	41	34	54	40	33	40	33	10	52	39	30	51	38	29	36	29
pcc	80				70			50																																																																																																																									
	70	50	30	70	50	30	50	30																																																																																																																									
RCR																																																																																																																																	
0	118	118	118	115	115	115	111	111																																																																																																																									
1	108	103	97	105	101	95	95	93																																																																																																																									
2	97	89	81	94	86	81	83	78																																																																																																																									
3	89	78	68	85	76	68	72	67																																																																																																																									
4	81	68	59	79	68	58	65	57																																																																																																																									
5	75	60	52	72	59	52	57	50																																																																																																																									
6	68	55	46	67	54	46	52	45																																																																																																																									
7	64	50	40	61	48	40	47	40																																																																																																																									
8	58	46	36	57	45	36	44	35																																																																																																																									
9	56	41	34	54	40	33	40	33																																																																																																																									
10	52	39	30	51	38	29	36	29																																																																																																																									

## 2x4 EvoGrid recessed LED, 4800 nominal delivered lumens

LER – 122

<b>Catalog No.</b> 2EVG48L840-4-R-UNV-DIM <b>Test No.</b> 38786 <b>S/MH</b> 1.3 <b>Lamp Type</b> LED <b>Lumens</b> 4903 <b>Input Watts</b> 40  Comparative yearly lighting energy cost per 1000 lumens – <b>\$1.97</b> based on 3000 hrs. and \$.08 pwr KWH.  The photometric results were obtained in the Philips Day-Brite laboratory which is NVLAP accredited by the National Institute of Standards and Technology.  Photometric values based on test performed in compliance with LM-79.	<b>Candlepower</b>	<b>Light Distribution</b>	<b>Average Luminance</b>																																																																																																																														
	<table border="1"> <thead> <tr> <th>Angle</th> <th>End</th> <th>45</th> <th>Cross</th> <th>Back-45</th> </tr> </thead> <tbody> <tr><td>0</td><td>1658</td><td>1658</td><td>1658</td><td>1658</td></tr> <tr><td>5</td><td>1623</td><td>1653</td><td>1664</td><td>1653</td></tr> <tr><td>15</td><td>1550</td><td>1591</td><td>1612</td><td>1591</td></tr> <tr><td>25</td><td>1411</td><td>1468</td><td>1506</td><td>1468</td></tr> <tr><td>35</td><td>1219</td><td>1299</td><td>1357</td><td>1299</td></tr> <tr><td>45</td><td>991</td><td>1097</td><td>1179</td><td>1097</td></tr> <tr><td>55</td><td>747</td><td>882</td><td>992</td><td>882</td></tr> <tr><td>65</td><td>465</td><td>673</td><td>775</td><td>673</td></tr> <tr><td>75</td><td>236</td><td>405</td><td>480</td><td>405</td></tr> <tr><td>85</td><td>54</td><td>127</td><td>126</td><td>127</td></tr> </tbody> </table>	Angle	End	45	Cross	Back-45	0	1658	1658	1658	1658	5	1623	1653	1664	1653	15	1550	1591	1612	1591	25	1411	1468	1506	1468	35	1219	1299	1357	1299	45	991	1097	1179	1097	55	747	882	992	882	65	465	673	775	673	75	236	405	480	405	85	54	127	126	127	<table border="1"> <thead> <tr> <th>Degrees</th> <th>Lumens</th> <th>% Luminaire</th> </tr> </thead> <tbody> <tr><td>0-30</td><td>1280</td><td>26.1</td></tr> <tr><td>0-40</td><td>2090</td><td>42.6</td></tr> <tr><td>0-60</td><td>3719</td><td>75.8</td></tr> <tr><td>0-90</td><td>4902</td><td>100.0</td></tr> <tr><td>0-180</td><td>4903</td><td>100.0</td></tr> </tbody> </table>	Degrees	Lumens	% Luminaire	0-30	1280	26.1	0-40	2090	42.6	0-60	3719	75.8	0-90	4902	100.0	0-180	4903	100.0	<table border="1"> <thead> <tr> <th>Zone</th> <th>End</th> <th>45°</th> <th>Cross</th> </tr> </thead> <tbody> <tr><td>45</td><td>7307</td><td>8088</td><td>8690</td></tr> <tr><td>55</td><td>6785</td><td>8019</td><td>9012</td></tr> <tr><td>65</td><td>5735</td><td>8297</td><td>9556</td></tr> <tr><td>75</td><td>4761</td><td>8153</td><td>9672</td></tr> <tr><td>85</td><td>3206</td><td>7578</td><td>7524</td></tr> </tbody> </table>	Zone	End	45°	Cross	45	7307	8088	8690	55	6785	8019	9012	65	5735	8297	9556	75	4761	8153	9672	85	3206	7578	7524																													
Angle	End	45	Cross	Back-45																																																																																																																													
0	1658	1658	1658	1658																																																																																																																													
5	1623	1653	1664	1653																																																																																																																													
15	1550	1591	1612	1591																																																																																																																													
25	1411	1468	1506	1468																																																																																																																													
35	1219	1299	1357	1299																																																																																																																													
45	991	1097	1179	1097																																																																																																																													
55	747	882	992	882																																																																																																																													
65	465	673	775	673																																																																																																																													
75	236	405	480	405																																																																																																																													
85	54	127	126	127																																																																																																																													
Degrees	Lumens	% Luminaire																																																																																																																															
0-30	1280	26.1																																																																																																																															
0-40	2090	42.6																																																																																																																															
0-60	3719	75.8																																																																																																																															
0-90	4902	100.0																																																																																																																															
0-180	4903	100.0																																																																																																																															
Zone	End	45°	Cross																																																																																																																														
45	7307	8088	8690																																																																																																																														
55	6785	8019	9012																																																																																																																														
65	5735	8297	9556																																																																																																																														
75	4761	8153	9672																																																																																																																														
85	3206	7578	7524																																																																																																																														
<b>Coefficients of Utilization</b> EFFECTIVE FLOOR CAVITY REFLECTANCE 20 PER (pfc=0.20)																																																																																																																																	
<table border="1"> <thead> <tr> <th rowspan="2">pcc</th> <th colspan="3">80</th> <th colspan="3">70</th> <th colspan="3">50</th> </tr> <tr> <th>70</th> <th>50</th> <th>30</th> <th>70</th> <th>50</th> <th>30</th> <th>50</th> <th>30</th> </tr> </thead> <tbody> <tr><td>RCR</td><td></td><td></td><td></td><td></td><td></td><td></td><td></td><td></td></tr> <tr><td>0</td><td>118</td><td>118</td><td>118</td><td>115</td><td>115</td><td>115</td><td>111</td><td>111</td></tr> <tr><td>1</td><td>108</td><td>103</td><td>97</td><td>105</td><td>101</td><td>96</td><td>95</td><td>93</td></tr> <tr><td>2</td><td>97</td><td>89</td><td>81</td><td>94</td><td>86</td><td>81</td><td>83</td><td>78</td></tr> <tr><td>3</td><td>89</td><td>78</td><td>69</td><td>85</td><td>76</td><td>68</td><td>72</td><td>67</td></tr> <tr><td>4</td><td>81</td><td>68</td><td>59</td><td>79</td><td>68</td><td>58</td><td>65</td><td>57</td></tr> <tr><td>5</td><td>75</td><td>60</td><td>52</td><td>72</td><td>59</td><td>52</td><td>57</td><td>50</td></tr> <tr><td>6</td><td>68</td><td>55</td><td>46</td><td>67</td><td>54</td><td>46</td><td>52</td><td>45</td></tr> <tr><td>7</td><td>64</td><td>50</td><td>40</td><td>61</td><td>48</td><td>40</td><td>47</td><td>40</td></tr> <tr><td>8</td><td>58</td><td>46</td><td>36</td><td>57</td><td>45</td><td>36</td><td>44</td><td>35</td></tr> <tr><td>9</td><td>56</td><td>41</td><td>34</td><td>54</td><td>40</td><td>33</td><td>40</td><td>33</td></tr> <tr><td>10</td><td>52</td><td>39</td><td>30</td><td>51</td><td>38</td><td>29</td><td>36</td><td>29</td></tr> </tbody> </table>				pcc	80			70			50			70	50	30	70	50	30	50	30	RCR									0	118	118	118	115	115	115	111	111	1	108	103	97	105	101	96	95	93	2	97	89	81	94	86	81	83	78	3	89	78	69	85	76	68	72	67	4	81	68	59	79	68	58	65	57	5	75	60	52	72	59	52	57	50	6	68	55	46	67	54	46	52	45	7	64	50	40	61	48	40	47	40	8	58	46	36	57	45	36	44	35	9	56	41	34	54	40	33	40	33	10	52	39	30	51	38	29	36	29
pcc	80				70			50																																																																																																																									
	70	50	30	70	50	30	50	30																																																																																																																									
RCR																																																																																																																																	
0	118	118	118	115	115	115	111	111																																																																																																																									
1	108	103	97	105	101	96	95	93																																																																																																																									
2	97	89	81	94	86	81	83	78																																																																																																																									
3	89	78	69	85	76	68	72	67																																																																																																																									
4	81	68	59	79	68	58	65	57																																																																																																																									
5	75	60	52	72	59	52	57	50																																																																																																																									
6	68	55	46	67	54	46	52	45																																																																																																																									
7	64	50	40	61	48	40	47	40																																																																																																																									
8	58	46	36	57	45	36	44	35																																																																																																																									
9	56	41	34	54	40	33	40	33																																																																																																																									
10	52	39	30	51	38	29	36	29																																																																																																																									

© 2017 Philips Lighting Holding B.V. All rights reserved.  
 Philips reserves the right to make changes in specifications and/or discontinue any product at any time without notice or obligation and will not be liable for any consequences resulting from the use of this publication.  
[philips.com/luminaires](http://philips.com/luminaires)



Philips Lighting North America Corporation  
 200 Franklin Square Drive, Somerset, NJ 08873  
 Tel. 855-486-2216

Philips Lighting Canada Ltd.  
 281 Hillmount Rd, Markham, ON, Canada L6C 2S3  
 Tel. 800-668-9008