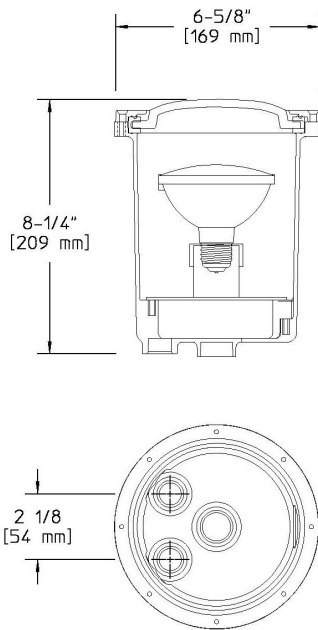


Incandescent (I2) Specification Sheet

Project Name:	Location:	MFG: Philips Hadco
Fixture Type:	Catalog No.:	Qty:



Ordering Guide

Example: I2 G H

Product Code	I2	Incandescent
Rock Guard	G	Rock Guard *1
Finish	H N SS	Bronze Natural Brass Stainless steel (MATTE FINISH)

*1 Rock guard is optional and available in bronze and natural brass only.

Specifications

HOUSING:

Single-piece compression molded fiberglass reinforced polyester composite, factory pressure tested to ensure water will not wick or leak through. Trim ring is a compression molded polyester. Trim ring is a die-cast stainless steel. Trim ring is natural cast bronze. Rock guard used for directional glare control made of compression molded polyester.

FINISH:

Composite is textured, pressure formed, molded-in-color.

OPTICAL ASSEMBLY:

Clear convex, tempered soda-lime glass for high impact resistance. 2,200-pound live-load rated, standard walk-over lens.

LAMPING:

100W maximum PAR30/R30 medium base lamp. 100W maximum PAR20/R20 medium base lamp. Lamp is not included. Lower wattage lamps are acceptable. (Note: PAR20/R20 and PAR30/R30 are not aimable.).

ELECTRICAL ASSEMBLY:

4kv rated porcelain mini-can base. Nickel-plated screw shell with center contact.

WARRANTY:

Ten-year limited warranty.

CERTIFICATIONS:

ETL listed to U.S. safety standards for wet locations. cETL listed to Canadian safety standards for wet locations. Manufactured to ISO 9001:2008 Standards. ADA Compliant when flush mounted with CP2 or CPS2.

IP RATING:

IP67 Dust tight and sealed against direct jets of water and against prolonged effects of immersion.

Height :

8 13/16" (224mm)

Width:

6 5/8" (169mm)

Max. Weight:

3.45 lb.