

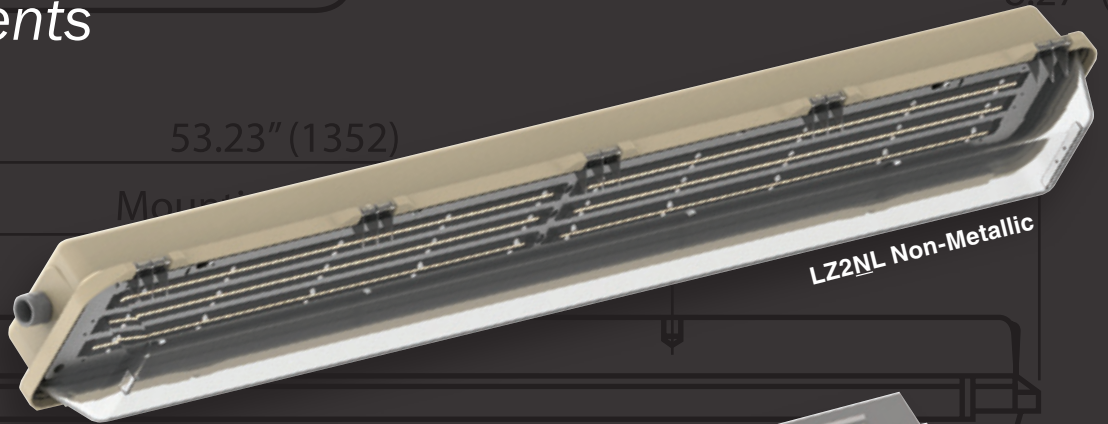
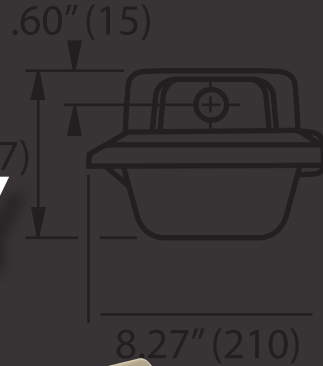


Harsh & Hazardous

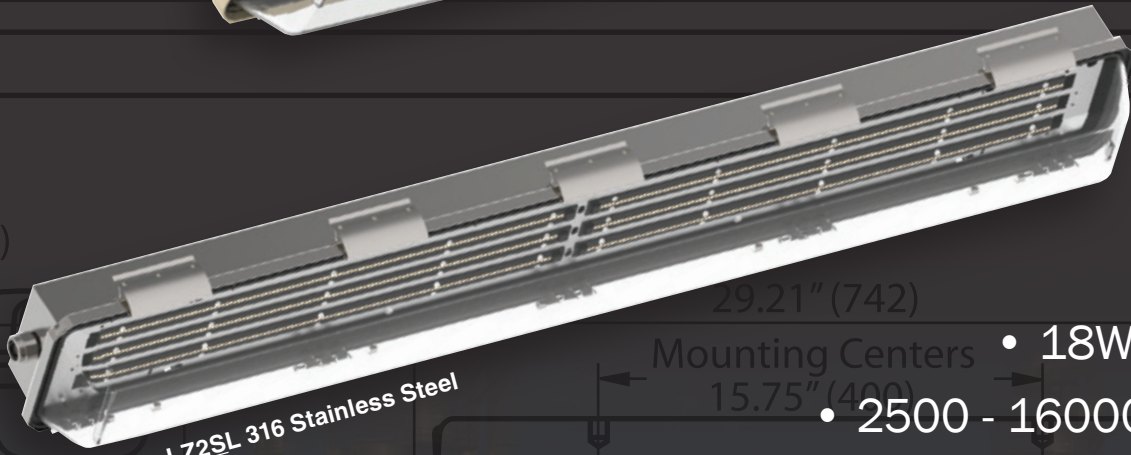
KILLARK[®]

LZ Series LINEAR LED TECHNOLOGY

*for Harsh and Hazardous
Environments*



LZ2NL Non-Metallic



LZ2SL 316 Stainless Steel

.60" (15)

147)

8.27" (210)

53.23" (1352)

Mounting Centers

29.21" (742)

Mounting Centers

15.75" (400)

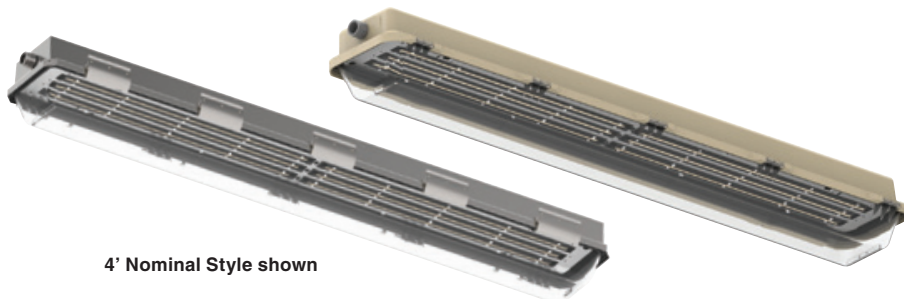
- 18W to 120W
- 2500 - 16000 Lumens
- 130 to 150 Lumens per Watt
- Ambient Sustainability -40°C to 55°C
- LED Array Life up to 212,000 Maintenance Free Hours
- Crisp White 5000 Kelvin Light (Noon Sunlight)
- Thermal Shock and Impact Resistant Polycarbonate Lens



HSI=GREENSM
HUBBELL SUSTAINABILITY INITIATIVE



LZ LED INTRODUCTION & LOGIC



4' Nominal Style shown

FEATURES-SPECIFICATIONS

LINEAR[®]LITE[®]*

*marca registrada MEXICO

Applications

Linear LED Luminaires are designed for installations where moisture, dirt, dust, corrosion and vibration may be present, and NEMA 3, 4X IP66 areas where wind, water, snow or high ambients can be expected. They can be used in locations made hazardous by the presence of flammable vapors or gases or combustible dusts as defined by the NEC/CEC.

Typical applications include manufacturing plants, and certain chemical and petrochemical processing facilities, sewage treatment plants, off-shore and dockside installations, garages, storage facilities, tunnels, and grain/food facilities.

Compliances

- UL-8750 for LED lighting
- ANSI/UL 1598(A)
- UL-844 Standard for lighting fixtures for hazardous locations, Class I, Division 2; Class II, Divisions 1 and 2; Class III
- CSA C22.2 no. 137-M1981 electric luminaires for use in hazardous locations
- Enclosed and gasketed
- NEMA 3, 4X, IP66

Materials

- NEMA 44X & IP66 rated enclosure
- Housing – one piece fiberglass reinforced polyester or 316 Stainless Steel
- Lens – Clear Lexan[®] impact resistant polycarbonate lens (*Lexan is a registered trademark of SABIC*)
- Two 3/4" NTP hubs – one at each end (includes one 3/4" close-up plug and two 3/4"x1/2" reducers for maximum user flexibility – LZ2NL hubs aluminum; LZ2SL hubs 316 Stainless Steel)

LED Features and Standards

- Many Midpower LEDs blend light to simulate fluorescent tube
- Crisp White Light for Excellent Color Rendering – Chromaticity 5000K (CCT); approx. 70 CRI
- Energy Savings – High lumens per watt
- LED Array Life – to 212,000 maintenance free hours to 70% initial lumens
- Ambient suitability -40°C to 55°C up to 120W
- Instant On – Including after power interruption
- World Voltage 120 - 277VAC 50/60Hz
- Solder-LESS LED Board Connections – Vibration Resistant
- LM80-08* Measurement of lumen maintenance for LED light sources
- LM79-08* Certified "Absolute" Photometry, including Chromaticity Color for Solid State Lighting
- L70 Values – Industry Nomenclature for Hours of use to 70% of initial Lumens – TM-21* & Calculated

Class I, Div. 2, Groups A, B, C, D
Class I, Zone 2, Groups IIC, IIB, IIA
Class II, Div. 1 & 2, Groups E^①, F, G
AEx nAll, Ex nAll
Wet Locations
NEMA 4X, IP66

Certified - File LR11713

IECEX pending



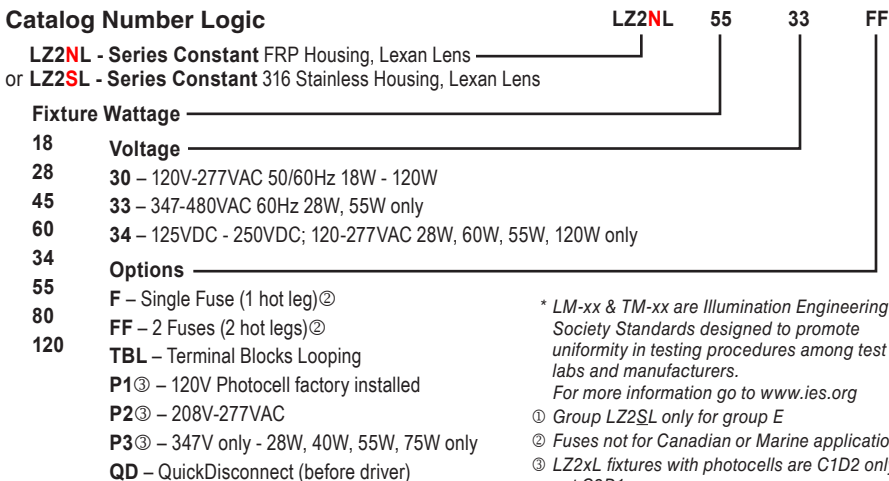
LED VS FLUORESCENT WATTAGE & DELIVERED LUMENS ^{④ ⑤}					
LED WATT	LUMENS	L/W	FLUORESCENT	LUMENS	L/W
18W	2557	150	40W 1x40W BX	2471	63
28W	3775	144	55W 1x55W BX	3766	65
34W	5075	149	56W 2x28T5	4676	71
45W	5562	137	64W 2x32T8	4772	80
55W	7577	144	108W 2x54T5HO	8088	67
60W	7618	132	120W 2x60T12HO	6965	56
80W	11140	137	162 3x54T5HO	11619	65

^④ Cataloged Wattage in LZ2x Housing & Lens – actual varies with driver or ballast losses – Delivered Lumens and L/W from photometry testing

^⑤ LZ2xL L70 Life 99,600 - 212,000
 LZ2x Fluorescent 10,000 - 60,000
 LED array calculated L70 life depending on ambient temperature. L70 values indicate 70% of initial illumination after "x" hours (see next page). Fluorescent typically operates to 20,000 hours (some wattages as few as 10,000 hours; specialty 32W lamps to 60,000 hours)

Supplemental surge protection included as standard for AC models only

Catalog Number Logic



* LM-xx & TM-xx are Illumination Engineering Society Standards designed to promote uniformity in testing procedures among test labs and manufacturers.

For more information go to www.ies.org

^① Group LZ2SL only for group E

^② Fuses not for Canadian or Marine applications

^③ LZ2xL fixtures with photocells are C1D2 only, not C2D1

LIGHTING

LZ2NL/LZ2SL SERIES



LZ SERIES – ORDERING INFORMATION & TECHNICAL DATA

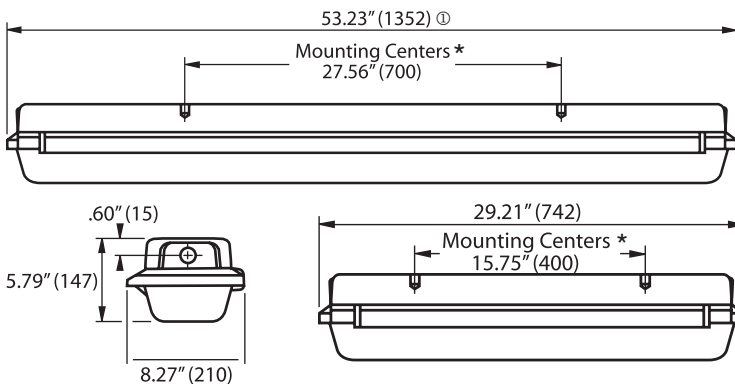
ORDERING INFORMATION AND AMBIENT SUITABILITY										C1D2 ^⑤		C2D1 ^⑤ LZ2NL GRPS. FG LZ2SL GRPS. FFG		C1Z2 ^⑤ AEx nA Ex nA	
CATALOG NUMBER ^{①②}				WATTAGE	LENGTH/ PCBS ^③	VOLTAGE	AMPS ^④	DELIVERED LUMENS	LUMENS PER WATT	40C	55C	40C	55C	40C	55C
FIBERGLASS	(WT.)	STAINLESS	(WT.)												
LZ2NL1830	12	LZ2SL1830	13	18	2' / 2	120-277VAC	0.15 - 0.06	2557	150	T5	T4A	≤ 135°C	≤ 135°C	T5	T4
LZ2NL2830	12	LZ2SL2830	13	28	2' / 2	120-277VAC	0.23 - 0.10	3775	144	T5	T4A	≤ 135°C	≤ 135°C	T5	T4
LZ2NL4530	12	LZ2SL4530	13	45	2' / 2	120-277VAC	0.38 - 0.16	5562	137	T5	T4A	≤ 135°C	≤ 135°C	T5	T4
LZ2NL6030	14	LZ2SL6030	15	60	2' / 3	120-277VAC	0.50 - 0.22	7618	132	T4A	-	≤ 135°C	-	T4	-
LZ2NL3430	23	LZ2SL3430	24	34	4' / 4	120-277VAC	0.28 - 0.12	5075	149	T5	T4A	≤ 135°C	≤ 135°C	T5	T4
LZ2NL5530	23	LZ2SL5530	24	55	4' / 4	120-277VAC	0.46 - 0.20	7577	144	T5	T4A	≤ 135°C	≤ 135°C	T5	T4
LZ2NL8030	23	LZ2SL8030	24	80	4' / 4	120-277VAC	0.67 - 0.29	11170	142	T5	T4A	≤ 135°C	≤ 135°C	T5	T4
LZ2NL12030	25	LZ2SL12030	26	120	4' / 6	120-277VAC	1.00 - 0.43	16010	132	T4A	-	≤ 135°C	-	T4	-

- ① See logic for additional voltages and options
- ② Shipping weights approximate
- ③ Length is nominal, see dimensional detail. PCB noted quantity used per fixture wattage
- ④ Amperage measured at 120VAC; 277VAC calculated
- ⑤ Use 60°C Minimum Supply Wire at 40°C Ambient except 120W; 75°C Wire at 55° Ambient and all 120W

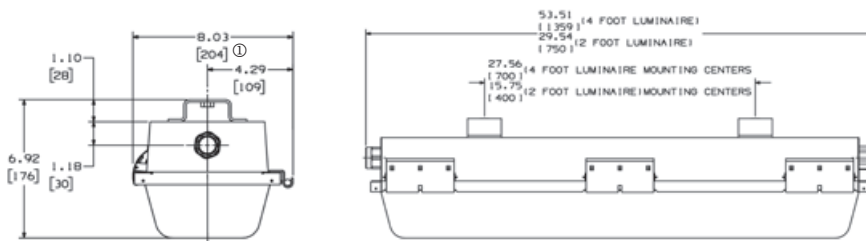
LED LUMEN LIFE	L70 CALCULATED	L70 TM-21**
40°C Ambient	212,000 Hours to 70% Initial	60,600 Hours Official Reported
55°C Ambient	99,600 Hours to 70% Initial	60,400 Hours Official Reported

** TM-21 based values require very long duration testing. IES TM-21 "official reported" is based on at least 10,000 hours of LED chip manufacturer's LM-80 Testing at printing.

Dimensions LZ2NL Series



Dimensions LZ2SL Series



REPLACEMENT PARTS:	
LZ2N4LENS	4' Lens only LZ2NL/LZ2SL
LZ2N2LENS	2' Lens only LZ2NL/LZ2SL
LZ2N4BAR	4' Locking Bar only LZ2NL
LZ2N2BAR	2' Locking Bar only LZ2NL
LZ2S-LATCH	Latch and Spring LZ2SL

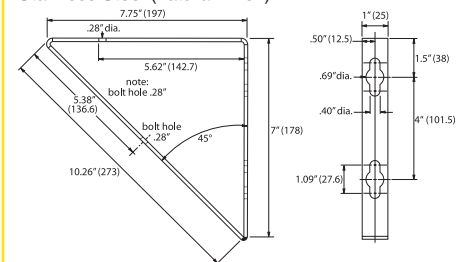
*Mounting Centers are 1/4-20" tapped for user all thread rod or below accessories.

- ① Dimensions in () are millimeters.
 - ② Product accessories have hardware for attachment to fixture; hardware to attach to wall/ceiling F.B.O.
- NOTE: Eyebolts are 316 Series, brackets are 300 Series Stainless Steel.

Mounting Accessories For All LZ2NL & LZ2SL Series

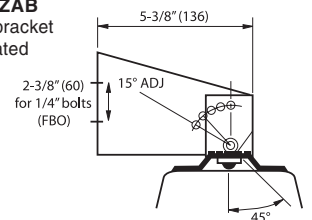
Wall Bracket Set^②

Part Number LZWB
Stainless Steel (natural finish)



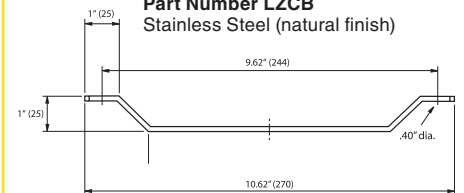
Adjustable Wall Bracket Set^②

Part Number LZAB
Stainless Steel bracket
with ceramic coated
pivot bolt



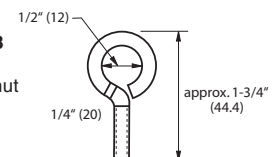
Ceiling Bracket Set^②

Part Number LZCB
Stainless Steel (natural finish)



Eyebolt Set

Part Number LZEB
Stainless Steel bolt
with lockwasher & nut
(natural finish)



Suspension Chains (2 required)

Part Number HFX-SC

36" length plated steel chain with snap link ends
For use with LZEB



CERTILITE[®] DESIGN

LIGHTING DESIGN SOFTWARE

Copyright ©2014 All Rights Reserved

- **Modern “Ribbon” Windows Interface with “Real Time” Calculations**
- **Easily import/export of CAD files (DWG/DXF/PDF)**
- **Enhanced photometric database with luminaire images and wireframes**
- **Ability to draw round or complex rooms and grids**
- **False Colors to indicate “Relative Brightness”**

See “Lighting Software link” at www.hubbell-killark.com to download

KILLARK[®]

Hubbell Killark
Hubbell Incorporated (Delaware)
3940 M.L. King Dr. • St. Louis, MO 63113
Phone: (314) 531-0460 • Fax: (314) 531-7164
www.hubbell-killark.com



Harsh & Hazardous

HKSB-LZ 01-15