



# Battery Powered Smoke Alarm with Safety Light

Model i9080 (formerly Model 0918)

## Safety Light

Illuminates when alarm sounds to guide your way to safety

## Hush® Feature

Temporarily silences nuisance alarms

## Test Button

Tests unit's electronic circuitry, horn, safety light and battery function

## Red LED

Flashes every 30-40 seconds to indicate that the smoke alarm is operating



## Description

The Kidde i9080 is a battery operated, ionization smoke alarm with a safety light that helps guide your way to safety. This unit is designed to alert you and your family to the dangers of smoke and fire. The i9080 includes a 9V battery that powers the smoke alarm, along with an additional 9V battery to power the safety light. This easy to install smoke alarm is UL Listed and offers a 5-year limited warranty.

## Consumer Benefits

The Kidde i9080 battery operated smoke alarm with a safety light provides you and your family an early warning signal in the event of a smoke or fire incident. The illumination of the safety light helps guide your way to safety when dense smoke is present. The i9080 includes a Hush® feature that temporarily silences nuisance alarms along with a test button that allows you to test the alarm's electronic circuitry, horn and battery function. This smoke alarm is particularly useful in hallways and near exits.

## Features and Benefits

- **Safety Light** – Illuminates when alarm sounds to guide your way to safety.
- **Hush® Feature** – Temporarily silences nuisance alarms.
- **Red LED** – Flashes every 30-40 seconds to indicate that the smoke alarm is operating.
- **Test Button** – Tests unit's electronic circuitry, horn, safety light, and battery function.
- **Battery Operated (Includes 2 9V batteries)** – Protects even during power outages.
- **Tamper Resist Locking Pin** – Helps deter from theft or tampering.
- **Low Battery Indicator** – Smoke alarm will chirp in the event of a low battery.



## Architectural and Engineering Specifications

The smoke alarm shall be Kidde Model i9080 or approved equal. It shall be powered by a 9V battery. The unit shall incorporate an ionization sensor with nominal sensitivity of 0.58-1.31%/ft. The temperature operation range shall be between 40°F and 100°F (4°C and 38°C) and the humidity operation range shall be up to 85% relative humidity.

The unit shall provide optional tamper resistance that helps deter removal of the unit from the wall or ceiling. The alarm shall include a safety light that shall be powered by a 9V alkaline battery.

The safety light shall provide 15 minutes of light when the alarm is sounding. The alarm shall include a test button that will electronically simulate the presence of smoke and cause the unit to go into alarm. This sequence tests the unit's electronics, battery, safety light and horn to ensure proper operation.

The unit shall also include a low battery warning utilizing a brief alarm chirp every 30-40 seconds along brief flashed from the safety light for a minimum of seven (7) days. The unit shall incorporate one red LED to indicate the alarm's current status and mode of operation.

**The red LED will indicate one of two conditions:**

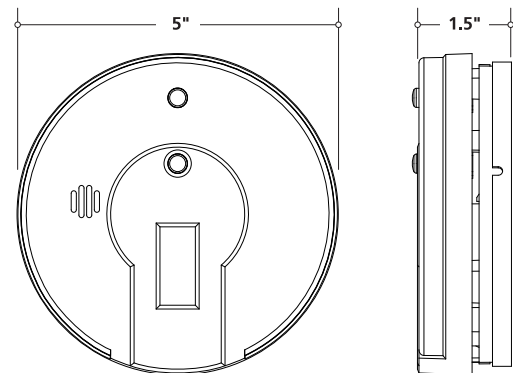
**Standby Condition:** The red LED will flash every 30-40 seconds to indicate that the smoke alarm is operating properly.

**Alarm Condition:** When the alarm senses products of combustion and goes into alarm, the red LED will flash rapidly (one flash per second). The rapid flashing LED and pulsating alarm will continue until the air is cleared.

The unit shall at a minimum meet the requirements of UL217, NFPA72, (chapter 11 2002 edition), The State of California Fire Marshall, NFPA 101 (One and two family dwellings) Federal Housing Authority (FHA), Housing and Urban Development (HUD).

## Technical Specifications

Model:	i9080
Power Source:	Two (2) 9V Batteries (included)
Audio Alarm:	85dB at 10ft
Temperature Range:	40°F to 100°F (4°C to 38°C)
Humidity Range:	up to 85% relative humidity (RH)
Sensor:	Ionization
Size:	5" in diameter x 1.5" depth
Weight:	1lb
Interconnects:	No
LED:	Red, normal operation
Warranty:	10 year limited



## Ordering Information

**Includes 9V Carbon Zinc Battery**

Ordering Number	UPC	1 of 5	Pack Config.	Pack Quantity	Dimensions (w x d x h inches)	Case Weight	Cases per pallet
21007393	0-47871-40376-9	400-47871-40376-7	CLAM	Cut Case (8 Units)	7.90 x 17.60 x 11.70	6.45 lbs	36
44037602	0-47871-40376-9	100-47871-40376-6	CLAM	PDQ (3 Units)	6.20 x 7.90 x 11.70	2.60 lbs	126
0918E	0-25417--01285-9	200-25417-01285-3	BOX	Master Pack (12 Units)	5.25 x 10.50 x 10.75	12.00 lbs	96

*\*\*Not for sale by individual unit*



1016 Corporate Park Drive  
Mebane NC 27302  
1-800-880-6788  
www.kidde.com

**Distributed by:**