




U-Line® Factory Sealed 20 Amp Panel Mounting Plugs and Receptacles

Explosionproof, Dust-Ignitionproof, Watertight

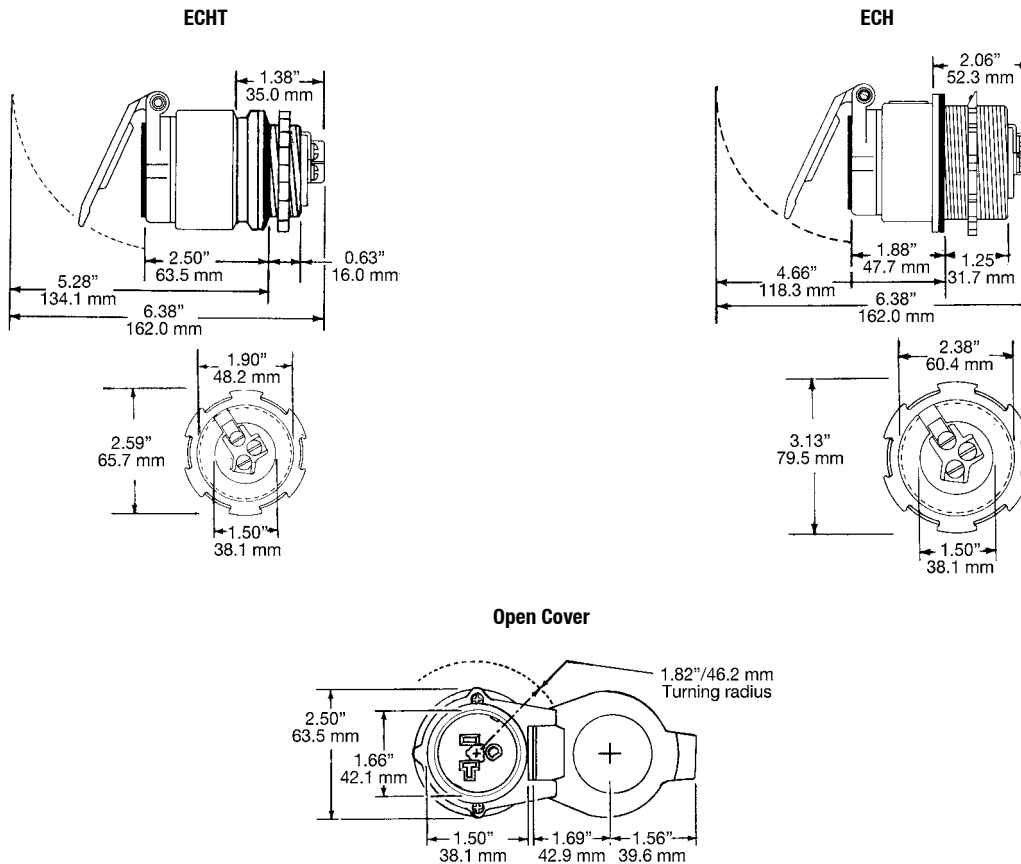
125 Vac, 20 Amp, 1 HP; 250 Vac, 20 Amp, 2HP. Dead-Front Safety Construction.

Class I, Division 1 and 2, Groups B, C, D
 Class II, Division, 1 and 2, Groups F, G
 Class III
 NEMA † 3, 3R, 3RX*, 4X†, 7BCD, 9FG, 12

20 Amp Aluminum Receptacle

	Thread Size and Type †	Wire/Pole	Catalog Number	
			125 Vac, 1 HP 	250 Vac, 2 HP 
 Spring and Screw Cap Included with Assembly	1-1/2" (1-1/2–11-1/2 NPT)	2W, 3P	ECHT2023	ECHT20232
	2" (2–11-1/2 NPSM)	2W, 3P	ECH2023	ECH20232

Dimensions



† ECHT has 1-1/2" tapered threads (1-1/2-11-1/2 NPT); ECH has 2" straight threads (2–11-1/2 NPSM).

‡ Suitable for these types with a suitable NEMA enclosure.

▼ Meets NEMA 4X when plug is installed or screw cover is fully engaged and mounted in a suitable enclosure.

• NEMA 3X when spring cover is used and mounted in a suitable enclosure.