

Explosionproof Floodlights

150 W, 300 W Reflector Incandescent

For 150 W PAR-38 or R-40 reflector lamps:
Class I, Groups C, D

For 300 W R-40 reflector lamps:
Class I, Group D

Applications

- Class I, Groups C and D locations such as aircraft service areas, oil and gas loading docks, distilleries.

Features

- Floodlights feature rugged, lightweight cast aluminum construction and are factory wired and sealed — no external seals are required. Choice of lamp types provides various distribution patterns. Use medium base 150W PAR-38, R-40 or 300W R40 reflector lamps.
- Easy to carry, portable model with wheelbase has handle for convenient carrying, built-on wrench allowing 135° vertical adjustment. Weighs 19 lbs/8.6 kgs.
- External cable on portable wheelbase unit (not furnished) should be 3-conductor No. 16 A.W.G. type S or SO rubber covered cable. Service end of cord should be equipped with a 2-wire, 3-pole explosionproof plug for connecting to an explosionproof receptacle.
- Terminal block has pressure terminal for connecting rubber covered cable to floodlight. Cable Connector takes a .375" to .500"/9.5 to 12.7 mm outside diameter cord. Sizes up to .625"/15.9 mm diameter are available on special order.
- Permanent base model has explosionproof junction wiring chamber with 3/4"/19.1 mm horizontal feed-thru hubs. Vertical adjustment to 135°; horizontal to 345°.



GEFWB-30



GEFJB-30

Standard Materials

- Housing: cast aluminum
- Yoke: high-strength aluminum alloy
- Lens: thermal shock and impact resistant glass

Standard Finishes

- Floodlight housing, wheelbase, yoke and wiring compartment: aluminum enamel finished

Certifications and Compliances

- UL Standard: UL 1598, UL 844
- UL Listed: E10794
- Copperfree aluminum alloy and stainless steel construction withstands 500 hours of salt-spray test. Per MIL-F-8115C

EF Series Explosionproof Floodlights

For 150W incandescent medium base PAR-38 (T3C) projector spot or flood, or 150W or 300W incandescent medium base R-40 (T2C) reflector spot or flood

Description	Catalog Number
Portable Flood with Wheelbase and Handle. Accommodates .375" — .500"/9.5 mm † cable.	G-EFWB-30
Permanent Base Floodlight, for .314"/8.0 mm conduit	G-EFJB-30

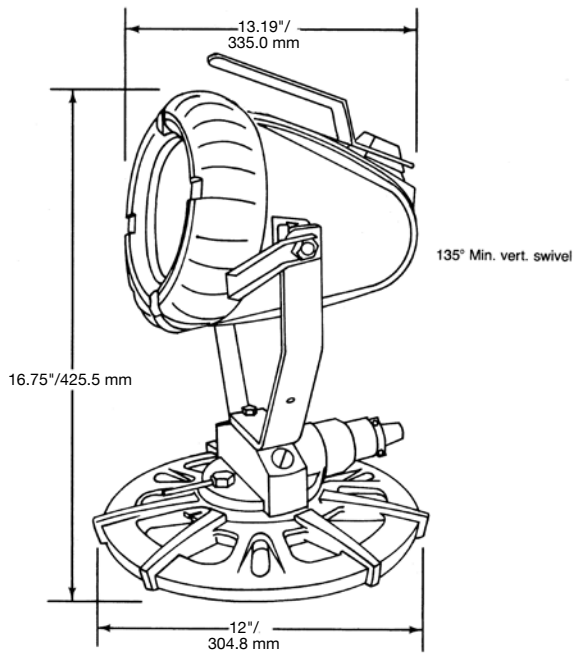
† Can be furnished to accommodate cable sizes to .625"/15.9mm Dia. on special order. Cable must be ordered separately.

Explosionproof Floodlight Dimensions

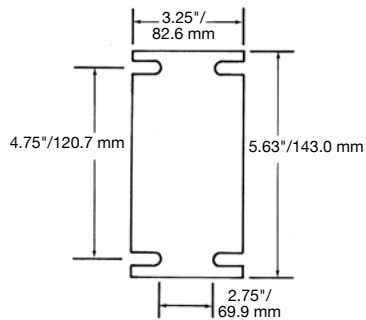
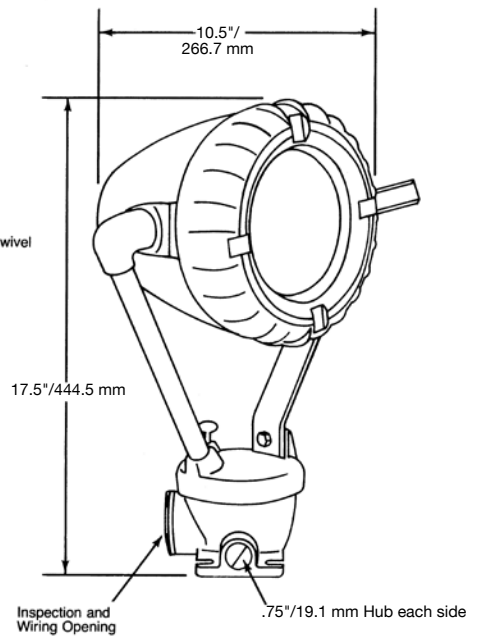
150 W, 300 W Reflector Incandescent

Dimensions in Inches/Millimeters

Wheelbase Floodlight (GEFWB-30)



Permanent Base Floodlight (GEFJB-30)



G-EFJB-30
Base Dimensions

LIGHTING: EXPLOSIONPROOF - FLOODLIGHT