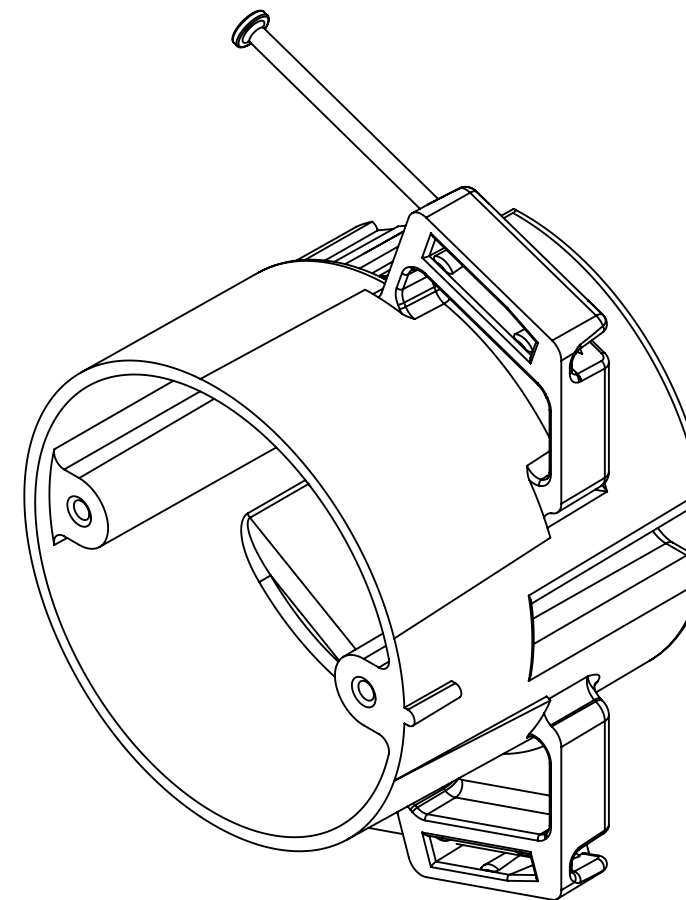
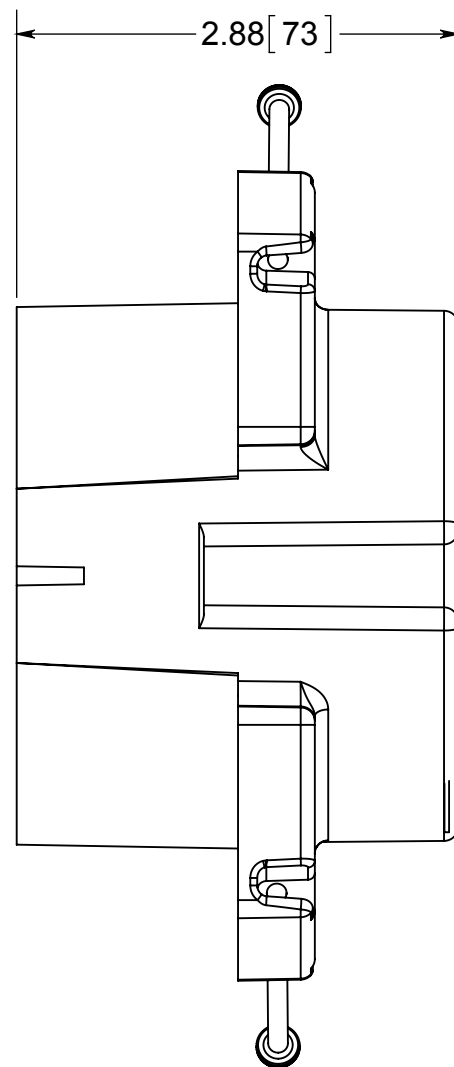
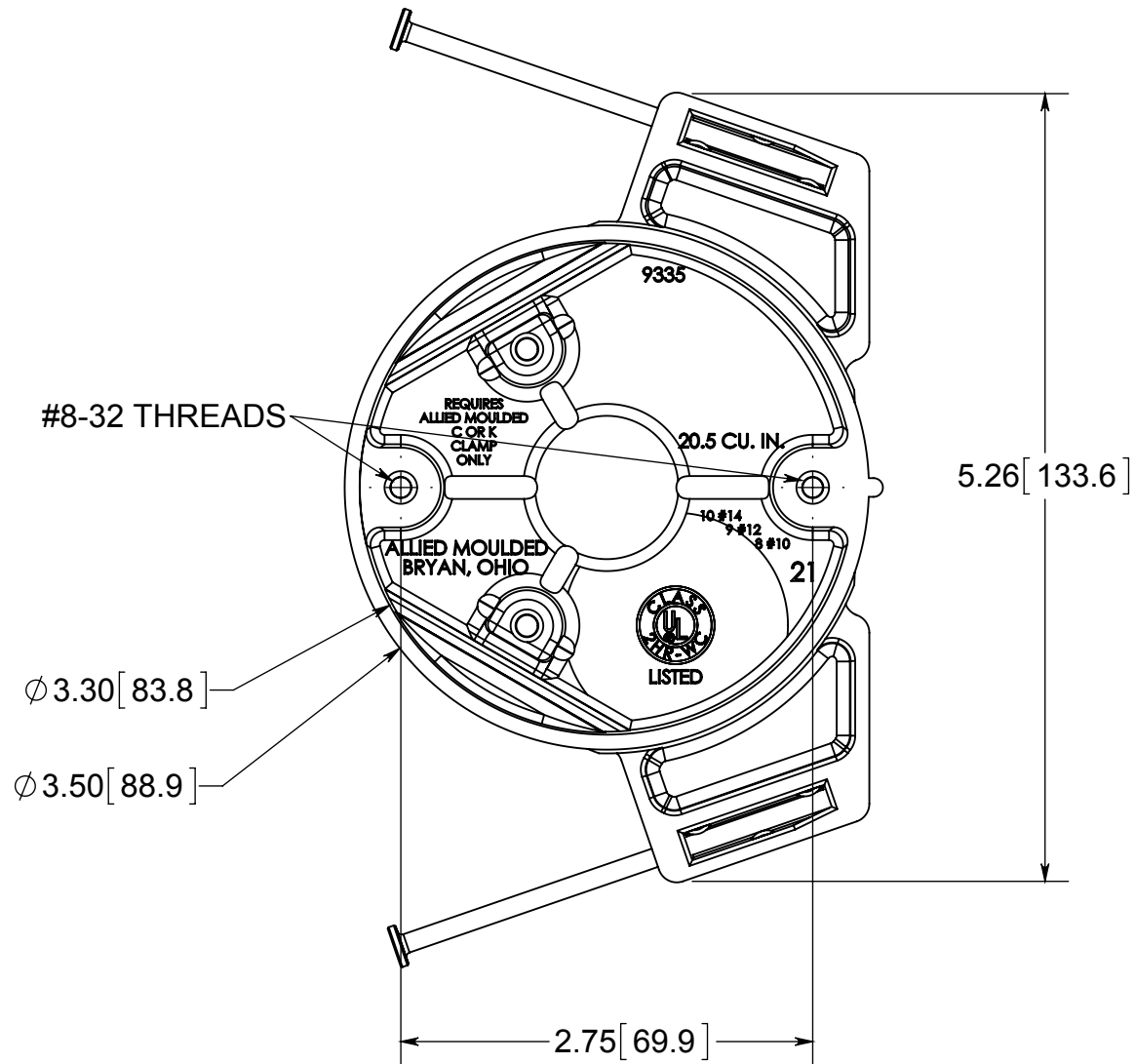
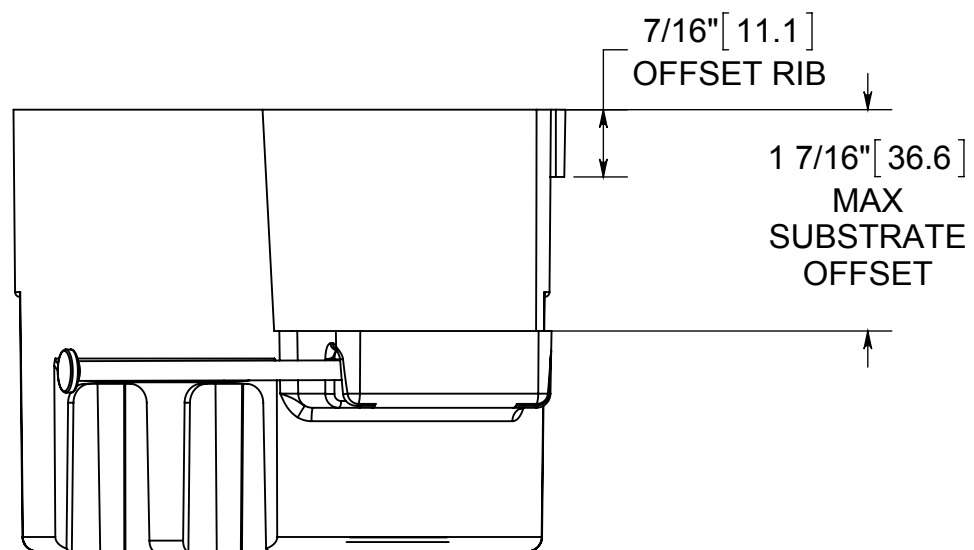


# fiberglass BOX™



- NOTES:
- 1.) BOX MATERIAL: FIBERGLASS REINFORCED POLYESTER, NAIL MATERIAL: PLATED CARBON STEEL, SPEED KLAMP MATERIAL: PVC
  - 2.) UL LISTED WITH 2 HOUR FIRE RATING FOR WALL AND CEILING
  - 3.) ANGLED MID-NAILED
  - 4.) 2 SPEED KLAMPS BULK PACKED



 **ALLIED MOULDED PRODUCTS**  
BRYAN, OHIO

The Original Fiber Glass Outlet Box

PRODUCT SERIES

3-1/2" ROUND 20.5 CU.IN.

Part No.

**9335-N**

**CONFIDENTIAL**

THIS MATERIAL IS OWNED BY THE ALLIED MOULDED PRODUCTS COMPANY, IS DISCLOSED IN CONFIDENCE, AND IS NOT TO BE REPRODUCED OR DISTRIBUTED WITHOUT PRIOR WRITTEN PERMISSION FROM ALLIED MOULDED PRODUCTS.