

Fig. 4A - Pipe Clamp for Sway Bracing

Size Range: 4" (100mm) thru 8" (200mm) pipe. For sizes smaller than 4" (100mm) use B3140.

Material: Steel

Function: For bracing pipe against sway and seismic disturbance.

Approvals: Underwriters Laboratories Listed in the USA (UL) and Canada (cUL) 4" (100mm) thru 8" (200mm). Included in our Seismic Restraints Catalog approved by the State of California Office of Statewide Health Planning and Development (OSHPD).

Installation Instructions: Fig. 4A is the "braced pipe" attachment component of a longitudinal, lateral or riser brace assembly. It is intended to be combined with the "bracing pipe" and TOLCO transitional and structural attachment component(s) to form a complete bracing assembly. NFPA 13 and/or OSHPD guidelines should be followed.

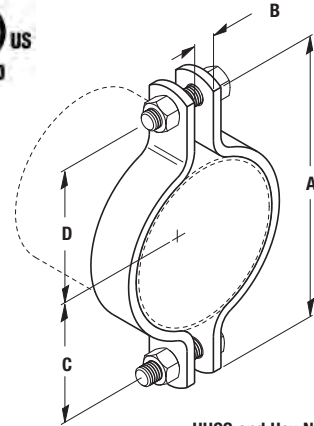
To Install: Place the Fig. 4A over the pipe to be braced. Attach TOLCO transitional fitting, either Fig. 980, 910 or 909, to the clamp ears. Tighten bolts and nuts; torque requirement is a minimum of 50 ft./lbs. (68Nm). Transitional fitting attachment can pivot for adjustment to proper brace angle.

Finish: Plain. Contact B-Line for alternative finishes and materials.

Order By: Figure number, pipe size and finish



Component of State of California OSHPD Approved Seismic Restraints System



HHCS and Hex Nuts Included

Seismic Bracing

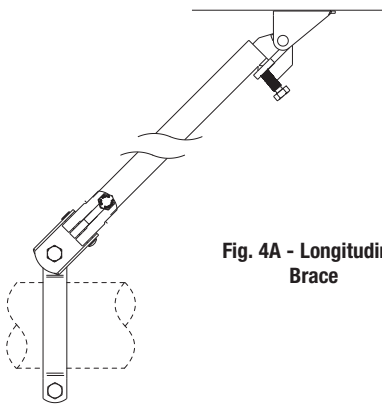


Fig. 4A - Longitudinal Brace

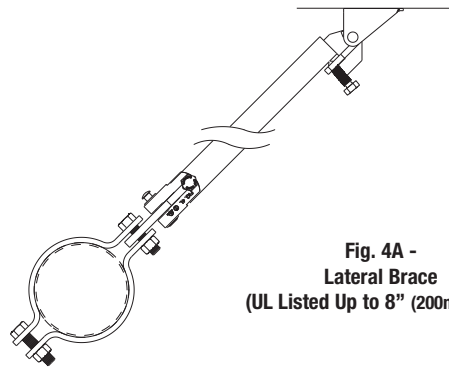


Fig. 4A - Lateral Brace
(UL Listed Up to 8" (200mm) IPS)

Part No.	Pipe Size		A		B		C		D		Bolt Size	Max. Horizontal Design Load		Approx. Wt./100	
	in.	(mm)	in.	(mm)	in.	(mm)	in.	(mm)	in.	(mm)		lbs.	(kN)	lbs.	(kg)
4A-4	4"	(100)	8 ¹ / ₂ "	(215.9)	9/16"	(14.3)	3 ³ / ₈ "	(85.7)	3 ¹ / ₁₆ "	(93.7)	1/2"-13	1600	(7.11)	221	(100.2)
4A-5	5"	(125)	9 ³ / ₄ "	(247.6)	9/16"	(14.3)	3 ⁷ / ₈ "	(98.4)	4 ³ / ₈ "	(111.1)	1/2"-13	1600	(7.11)	253	(114.7)
4A-6	6"	(150)	11 ¹ / ₂ "	(292.1)	5/8"	(15.9)	5"	(127.0)	5 ¹ / ₈ "	(130.2)	1/2"-13	2015	(8.96)	513	(232.7)
4A-8	8"	(200)	13 ¹ / ₄ "	(336.5)	3/4"	(19.0)	6 ¹ / ₁₆ "	(169.9)	6 ¹ / ₈ "	(155.6)	1/2"-13	2015	(8.96)	601	(272.6)

Eaton's B-Line Business seismic bracing components are designed to be compatible only with other B-Line bracing components, resulting in a listed seismic bracing assembly. B-Line's warranty for seismic bracing components will be the warranty provided in B-Line's standard terms and conditions of sale made available by B-Line, except that, in addition to the other exclusions from B-Line's warranty, Eaton's B-line Business makes no warranty relating to B-Line's seismic bracing components that are combined with products not provided by Eaton's B-Line Business.

All dimensions in charts and on drawings are in inches. Dimensions shown in parentheses are in millimeters unless otherwise specified.