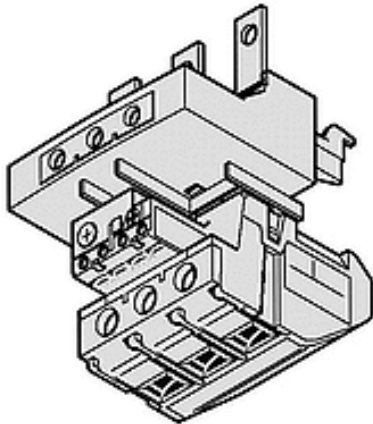


Product availability : Stock - Normally stocked in distribution facility



Price* : 362.00 USD



Main

Range	TeSys
Product name	TeSys LRD
Product or component type	Differential thermal overload relay
Device short name	LRD
Relay application	Motor protection
Product compatibility	LC1D150 LC1D115
Network type	DC AC
Thermal protection adjustment range	80...104 A
[Ui] rated insulation voltage	1000 V power circuit conforming to IEC 60947-4-1 600 V power circuit conforming to CSA 600 V power circuit conforming to UL

Complementary

Network frequency	0...400 Hz
Mounting support	Plate with specific accessories Rail with specific accessories Under contactor
Tripping threshold	1.14 +/- 0.06 I _r conforming to IEC 60947-4-1
[I _{th}] conventional free air thermal current	5 A for signalling circuit
Permissible current	0.06 A at 440 V DC-13 for signalling circuit 0.12 A at 600 V AC-15 for signalling circuit
System Voltage	690 V AC 0...400 Hz
[U _{imp}] rated impulse withstand voltage	6 kV
Phase failure sensitivity	Tripping current 130 % of I _r on two phase, the last one at 0
Control type	Red push-button stop

Blue push-button for reset mode

Temperature compensation	-4...140 °F (-20...60 °C)
Connections - terminals	Power circuit: screw clamp terminals 1 cable(s) 0.01...0.05 in ² (4...35 mm ²) - cable stiffness: flexible - with cable end Control circuit: screw clamp terminals 2 cable(s) 0...0 in ² (1...2.5 mm ²) - cable stiffness: flexible - without cable end Control circuit: screw clamp terminals 2 cable(s) 0...0 in ² (1...2.5 mm ²) - cable stiffness: flexible - with cable end Control circuit: screw clamp terminals 2 cable(s) 0...0 in ² (1...2.5 mm ²) - cable stiffness: solid - without cable end Power circuit: screw clamp terminals 1 cable(s) 0.01...0.08 in ² (4...50 mm ²) - cable stiffness: flexible - without cable end Power circuit: screw clamp terminals 1 cable(s) 0.01...0.08 in ² (4...50 mm ²) - cable stiffness: solid - without cable end
Tightening torque	Control circuit: 15.04 lbf.in (1.7 N.m) - on screw clamp terminals Power circuit: 79.65 lbf.in (9 N.m) - on screw clamp terminals
Depth	5.2 in (132 mm)
Product weight	1.98 lb(US) (0.9 kg)

Environment

Protective treatment	TH conforming to IEC 60068
IP degree of protection	IP20 conforming to IEC 60529
Ambient air temperature for operation	Without derating conforming to IEC 60947-4-1
Ambient air temperature for storage	-76...158 °F (-60...70 °C)
Flame retardance	V1 conforming to UL 94
Mechanical robustness	Vibrations 6 Gn IEC 60068-2-6 Shocks 15 Gn for 11 ms IEC 60068-2-7
Dielectric strength	6 kVat 50 Hz conforming to IEC 60255-5
Standards	EN 60947-5-1 IEC 60947-5-1 ATEX D 94/9/CE UL 508 EN 60947-4-1 IEC 60947-4-1 CSA C22.2 No 14
Product certifications	DNV ATEX INERIS BV RINA LROS (Lloyds register of shipping) CCC GOST GL UL CSA

Ordering and shipping details

Category	22347 - CONTACTOR,D-LINE,OVERLOADS-NEW
Discount Schedule	I12
GTIN	00785901234456
Nbr. of units in pkg.	1
Package weight(Lbs)	1.9399999999999999
Returnability	Y
Country of origin	FR

Offer Sustainability

Sustainable offer status	Green Premium product
RoHS (date code: YYWW)	Compliant - since 0849 - Schneider Electric declaration of conformity Schneider Electric declaration of conformity
REACH	Reference not containing SVHC above the threshold

Reference not containing SVHC above the threshold

Product environmental profile	Available
Product end of life instructions	Available

Contractual warranty

Warranty period	18 months
-----------------	-----------
