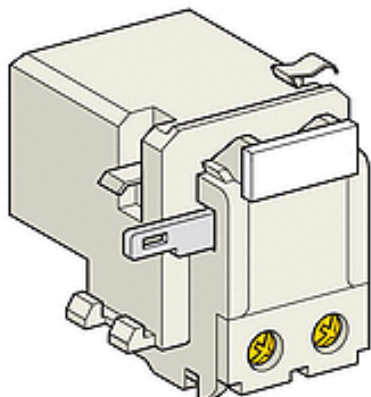


# LAD703M

TeSys D thermal overload relays - remote electrical stop - 220...230 V DC/AC

Product availability : Stock - Normally stocked in distribution facility

Price\* : 43.70 USD



## Main

Range	TeSys
Product or component type	Electrical remote stop
Device short name	LAD
Accessory / separate part category	Electrical accessory
Product compatibility	LR3D01...D35 LRD01...35 LRD313...LRD365 LR3D313...LR3D365
Control circuit voltage	220/230 V AC 50/60 Hz 220/230 V DC

## Complementary

Inrush power in VA	> 0...100 VA
Inrush power in W	> 0...100 W
Product weight	0.2 lb(US) (0.09 kg)

## Ordering and shipping details

Category	22341 - CONTACTOR,D,K,&F ACCESS
Discount Schedule	I12
GTIN	00785901499107
Nbr. of units in pkg.	1
Package weight(Lbs)	0.23000000000000001
Returnability	N
Country of origin	FR

Contractual warranty

---

Warranty period	18 months
-----------------	-----------

---