

Product data sheet

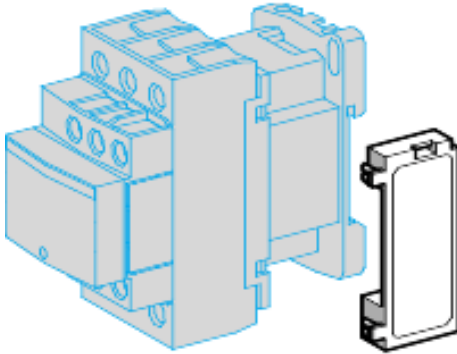
Characteristics

LAD4RCG

TeSys D - suppressor module - RC circuit -
50...127 V AC

Product availability : Stock - Normally stocked in distribution facility

Price* : 26.20 USD



Main

Range	TeSys
Device short name	LAD4
Product or component type	Suppressor module
Product compatibility	LC1DT20...DT40 LC1D09...D38

Complementary

Mounting location	Side
Mounting mode	By clips
Suppressor technology	RC circuit
[Uc] control circuit voltage	50...127 V AC <= 400 Hz
Maximum peak voltage	3 Uc
Product weight	0.03 lb(US) (0.012 kg)

Environment

Ambient air temperature for operation	-13...131 °F (-25...55 °C)
Ambient air temperature for storage	-40...176 °F (-40...80 °C)

Ordering and shipping details

Category	22341 - CONTACTOR,D,K,&F ACCESS
Discount Schedule	I12
GTIN	00785901221036
Nbr. of units in pkg.	1
Package weight(Lbs)	2.999999999999999E-2
Returnability	Y

Country of origin	FR
-------------------	----

Contractual warranty

Warranty period	18 months
-----------------	-----------
