

# 9001SKR2U

## 30MM PUSH BUTTON HEAD EXTENDED GUARD

Product availability : Stock - Normally stocked in distribution facility



Price\* : 38.60 USD



### Main

Range of product	Harmony 9001SK
Product or component type	Head for spring return push-button
Device short name	9001SK
Operator profile	Recessed, marking: unmarked
Operator additional information	High guard with set of 7 color caps

### Complementary

Mounting diameter	1.18 in (30 mm)
Shape of signaling unit head	Round
Type of operator	Spring return
Product weight	0.11 lb(US) (0.05 kg)

### Ordering and shipping details

Category	21429 - 9001 SK,SKY
Discount Schedule	CS1
GTIN	00785901524380
Nbr. of units in pkg.	1
Package weight(Lbs)	0.11
Returnability	Y
Country of origin	MX

### Offer Sustainability

RoHS (date code: YYWW)	Compliant - since 0921 - Schneider Electric declaration of conformity <a href="#">Schneider Electric declaration of conformity</a>
REACH	Reference not containing SVHC above the threshold

Reference not containing SVHC above the threshold

---

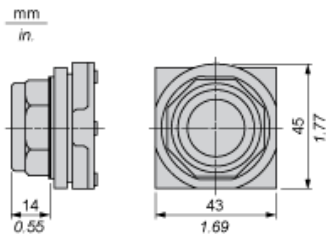
### Contractual warranty

---

Warranty period	18 months
-----------------	-----------

---

Dimensions

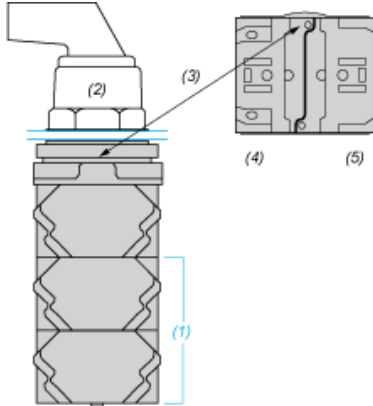


---

Contact Block Mounting Position

---

Top and Rear views



- (1) It is possible to mount up to 3 levels of contacts blocks (maximum of 6 contacts blocks)
- (2) Operator
- (3) Locating notch
- (4) Side 1
- (5) Side 2