

# VAPORGARD™ Incandescent Luminaires

Cl. I, Div. 2, Groups A, B, C, D  
(All mounting except stanchion)  
Wet Locations  
NEMA 3, 3R

1L

## Applications:

Vaporgard series incandescent luminaires are used:

- Indoors or outdoors in industrial locations where enclosed and gasketed fixtures are required
- In tunnels, building entrances and similar locations, where moisture, dirt, chemicals, vibration or rough usage are a problem
- For flush or surface mounting on ceiling or wall; pendant or in conduit systems; with or without a cast outlet box

## Features:

- Designed to exclude dirt, moisture and corrosive vapors from the interior of the luminaires and the conduit system
- There are no screws to remove as the shock-absorbing socket strap is keyhole slotted and removes quickly for ease of wiring
- The glass globe-guard assembly is installed and/or removed as a unit, making it necessary to handle only one piece in relamping
- There are no crevices to accumulate a dirt or dust build-up and fixture has an attractive finish with a smooth, dust and dirt shedding design
- Configured glass globe has vertical fluting and stippled bottom which provides for more even light distribution and glare elimination
- For non-hazardous locations, shatterproof plastic polycarbonate globes are available for use with the 200 watt series
- Reversible offset socket mounting strap permits use of various size lamps while holding light center in same position for maximum light output and efficiency
- Shock absorbing medium base lamp socket

Krydon® fiberglass-reinforced polyester reflectors:

- Reflectance is equivalent to the finest porcelain enamel
- Cannot corrode – no enamel to chip and rust
- Ultraviolet inhibitors are incorporated in the material to prevent discoloration and brittleness

## Certifications and Compliances:

- Wet locations
- NEC/CEC:
  - Class I, Division 2
- UL Standard: 1598
- CSA Standard: C22.2 No. 9
- UL/CSA Fixture Fitting

## Standard Materials:

- Bodies and guards – copper-free aluminum
- Globes
  - Heat and impact resistant tempered glass
  - Colored glass non-tempered (G55, G56, G57, G58)
  - Plastic polycarbonate (G63, G65, G67)
- Reflectors – Krydon® fiberglass-reinforced polyester

## Standard Finishes:

- Bodies and guards – epoxy powder coat
- Krydon material – high reflectance white

## Options:

The following options are available from the factory by adding suffix to fixture Cat. No.:

Description	Suffix
• Teflon coating on globe for increased shatter protection (G24 globe 200 watt series only) .....	<b>S808</b>
• 250V nameplate for export applications.....	<b>/250</b>
• Plastic polycarbonate globe .....	<b>see page 894</b>

## Ratings (Electrical/Size):

- Up to 300 watt, PS-30 medium base lamp
- 1/2" to 1 1/4" hubs
- 120V nameplate is standard – for NEC compliance
- 250V nameplate is optional. Supplied when ordered with suffix: /250

## Class I, Division 2

### Temperature Performance Data: (Based on 40°C ambient)

Lamp Watts	T-Number	Supply Wire °C
150	T2A	150°C
200	T2B	200°C
300	T2B	150°C



1L

# 1L VAPORGARD™ Incandescent Luminaires

Cl. I, Div. 2, Groups A, B, C, D  
Wet Locations  
NEMA 3, 3R

## Enclosed and Gasketed

### Pendant Mount – VDA Series



Hub Size	Series	Max. Lamp Size	Complete Cat. # with globe/guard	Luminaire Components Cat. #s		
				Pendant Body	Globe	Guard
1/2"	150	150 watt	VDA15GP	VDA15	G54	P50
3/4"	150	A-21	VDA25GP	VDA25	G54	P50
1"	150		VDA35GP	VDA35	G54	P50
1/2"	200	200 watt	VDA12GP	VDA12	G24	P21
3/4"	200	A-23	VDA22GP	VDA22	G24	P21
1"	200		VDA32GP	VDA32	G24	P21
1/2"	300	300 watt	VDA13GP	VDA13	G34/G251	P22
3/4"	300	PS-25 & PS-30	VDA23GP	VDA23	G34/G251	P22
1"	300		VDA33GP	VDA33	G34/G251	P22

### Thru-Feed – VDC Series



Hub Size	Series	Max. Lamp Size	Complete Cat. # with globe/guard	Luminaire Components Cat. #s		
				Thru-Feed Body	Globe	Guard
1/2" or 3/4"	150	150 watt A-21	VDC25GP	VDC25	G54	P50
1/2" or 3/4"	200	200 watt A-23	VDC22GP	VDC22	G24	P21
1/2" or 3/4"	300	300 watt PS-25 & PS-30	VDC23GP	VDC23	G34/G251	P22

### Ceiling Mount for Recessed 4" Round Box – VXH Series



Series	Max. Lamp Size	Complete Cat. # with globe/guard	Luminaire Components Cat. #s		
			Lamp Socket Body	Globe	Guard
150	150 watt A-21	VXH15GP	VXH15	G54	P50
200	200 watt A-23	VXH12GP	VXH12	G24	P21
300	300 watt PS-25 & PS-30	VXH13GP	VXH13	G34/G251	P22

### Ceiling Mount with Junction Box – VXHF Series



Hub Size	Series	Max. Lamp Size	Complete Cat. # with globe/guard	Luminaire Components Cat. #s			
				Lamp Socket Body	Globe	Guard	Junction Box
1/2" or 3/4"	150	150 watt A-21	VXHF25GP	VXH15	G54	P50	VXF20
1/2" or 3/4"	200	200 watt A-23	VXHF22GP	VXH12	G24	P21	VXF20
1/2" or 3/4"	300	300 watt PS-25 & PS-30	VXHF23GP	VXH13	G34/G251	P22	VXF20

Note: All fixtures supplied with 1/2" reducers, except for pendant mount.

# VAPORGARD™ Incandescent Luminaires

Cl. I, Div. 2, Groups A, B, C, D  
Wet Locations  
NEMA 3, 3R

1L

## Enclosed and Gasketed

### Wall Mount – VXHT Series



Hub Size	Series	Max. Lamp Size	Complete Cat. # with globe/guard
1/2 or 3/4"	150	150 watt A-21	VXHT25GP
1/2 or 3/4"	200	200 watt A-23	VXHT22GP
1/2 or 3/4"	300	300 watt PS-25 & PS-30	VXHT23GP

#### Luminaire Components Cat. #s

Wall Bracket Mounting Module	Body	Globe	Guard
------------------------------	------	-------	-------

VXT20	VXH15	G54	P50
VXT20	VXH12	G24	P21
VXT20	VXH13	G34/G251	P22

### Wall Mount – Adapter Kit

Description	Cat. #
Mounts wall mount VXHT Series to a 4" Round Box	VXT K1

### Wall Mount with Junction Box – VXHBF Series



Hub Size	Series	Max. Lamp Size	Complete Cat. # with globe/guard
1/2 or 3/4"	150	150 watt A-21	VXHBF25GP
1/2 or 3/4"	200	200 watt A-23	VXHBF22GP
1/2 or 3/4"	300	300 watt PS-25 & PS-30	VXHBF23GP

#### Luminaire Components Cat. #s

Wall Bracket Mounting Module	Body	Globe	Guard	Junction Box
------------------------------	------	-------	-------	--------------

VXT20	VXH15	G54	P50	VXF20
VXT20	VXH12	G24	P21	VXF20
VXT20	VXH13	G34/G251	P22	VXF20

### Stanchion Mount – VXHA Series



Hub Size	Series	Max. Lamp Size	Complete Cat. # with globe/guard
1 1/4"		150 watt A-21	VXHA45GP
1 1/4"		200 watt A-23	VXHA42GP
1 1/4"		300 watt PS-25 & PS-30	VXHA43GP

#### Luminaire Components Cat. #s

Stanchion Mounting Module	Body	Globe	Guard
---------------------------	------	-------	-------

VXA4	VXH15	G54	P50
VXA4	VXH12	G24	P21
VXA4	VXH13	G34/G251	P22

**Note:** All fixtures supplied with 1/2" reducers, except for pendant mount.

# 1L VAPORGARD™ Incandescent Luminaires

## Parts and Accessories

### Medium Base Lamp Receptacle with Strap Shock Absorbing



Description	Cat. #
Shock Absorbing Medium Base Lamp Receptacle with Strap	V84

### Reflectors



Dome



30° Angle

Max. Lamp Size	Dome Cat. #	30° Angle Cat. #
150 watt, A-21	RD64	RA64
200 watt, A-23, A-25, PS-25 and 300 watt, PS-30	RD71	RA71

### VXFT – 5 Hubs, 4 Plugs



Hub Size (In.)	Cat. #
1/2	VXFT10
3/4	VXFT20

For use when rear wiring entry is required. Use in lieu of VXF10 or VXF20.

### Globes† and Guards



150 and 200W globe



300W globe

#### Max. Lamp Size

Color	150 Watt, A-21 Cat. #	200 Watt, A-23, A-25, PS-25 Cat. #	300 Watt, PS-30 Cat. #
Clear (heat-resisting)	G54	G24	G34G251
Green	G55*	G25	
Blue	G56*	G26	
Red	G57*	G27	
Amber	G58*	G28	

### Guards for Glass Globes (Not for use with plastic globes)



Guard P50 and P21



Guard P22

Max. Lamp Size	Cat. #
150 watt, A-21	P50
200 watt, A-23, A-25, PS-25	P21
300 watt, PS-30 (with G251 only)	P22

### Plastic Globes



Shatterproof polycarbonate plastic globe†

### Applications:

For use in:

- Food processing plants and canneries, dairies, breweries and bakeries
- Emergency lighting

### Features:

- Shatterproof, which precludes contamination of food products with broken particles of glass
- Designed to comply with U.S. Dept. of Agriculture specification for food processing plants
- Provides protection against vandalism, with resultant lower replacement and maintenance costs
- Particularly adaptable for use on emergency police or fire alarm boxes
- Same size as G24 series glass globes. Existing installations can be changed to plastic globes simply by replacing globe
- For use with 200 watt series luminaires such as VDA22, etc.
- For use without guard

Color	Max. Wattage, Lamp Size	Cat. #
Natural	200 watt, A-23	G63
Green	200 watt, A-23	G65
Red	200 watt, A-23	G67

Note: Polycarbonate globes for non-hazardous locations only.

### Mounting Adapter Kit



VXT-K1

Description	Cat. #
Allows for the mounting of non-Eaton's Crouse-Hinds outlet boxes to the VXT20 wall mount bracket and VXH ceiling mount bracket	VXT K1

†Prior to wash-down, globes must be cool.

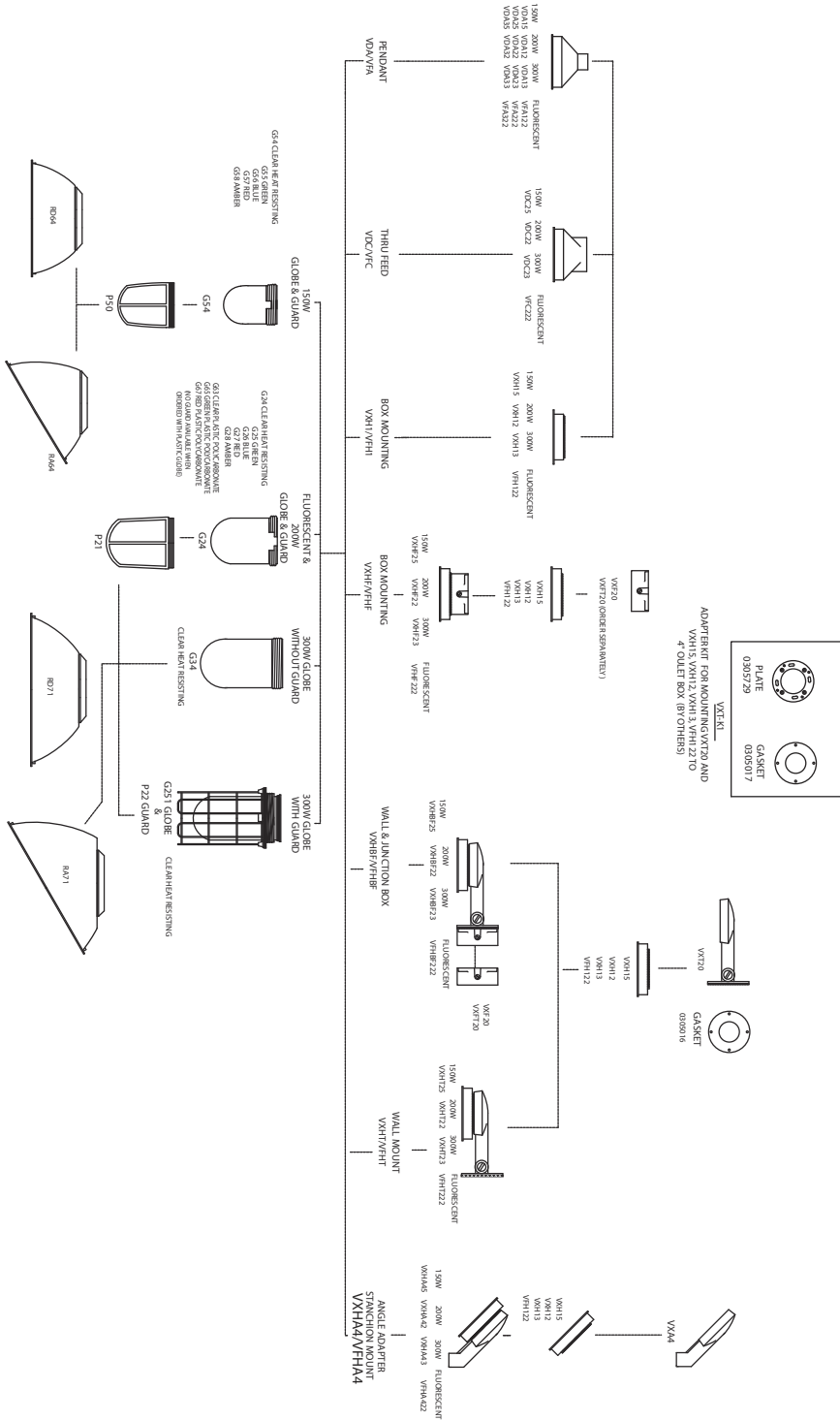
‡Lamp must be mounted in vertical position base up to 45°C (stanchion) only.

\*With G55, G56, G57, G58 color globes, maximum lamp size is 60 watt for outdoor applications.

§G24 is available with a TEFLON® coating for increased shatter protection by adding suffix S808 (stanchion) only.

■Globe G251 required when guard P22 is used. Use globe G34 when guard is not used.

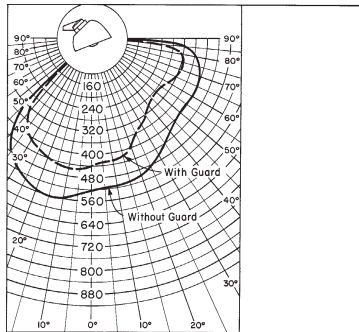
‡All glass globes are configured type, having fluted side and stippled bottom.



## Luminaire VXHA45GPRA

Lamp: 150W/A-21

Total Bare Lamp Lumens: 2850



Measurements taken from A-A' plane.

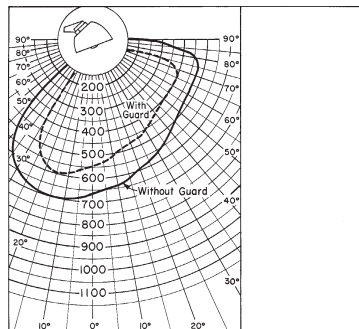


	Total Lumens	Eff. %
With Guard	1490	52.3
Without Guard	1881	66.0

## Luminaire VXHA42GPRA

Lamp: 300W/PS-30

Total Bare Lamp Lumens: 6300



Measurements taken from A-A' plane.



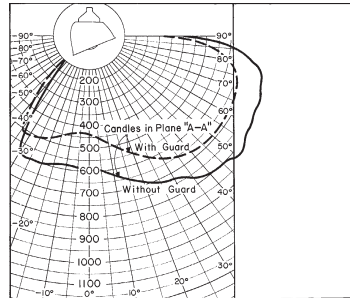
	Total Lumens	Eff. %
With Guard	3630	57.6
Without Guard	4271	67.8

## Luminaire With Globe, 30° Angle Reflector and With or Without Guard

Lamp: 100W/A-21 through 200W/A-23

Total Bare Lamp Lumens: 4000

All data provided is for 200W/A-23 incandescent lamp. Use following candlepower/lumen multipliers for other lamp sizes:  
100W 0.42; 150 W0.7



Measurements taken from A-A' plane.

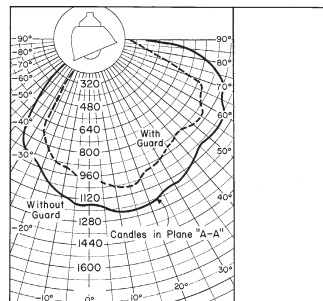


Lamp Size	Without Guard		With Guard	
	Total Lumens	Eff. %	Total Lumens	Eff. %
100W	1141		949	
150W	1890		1582	
200W/A-23	2700	67.5	2260	56.5
200W/PS-25	2174		1819	

## Luminaire With Globe, 30° Angle Reflector and With or Without Guard

Lamp: 300W/PS-30

Total Bare Lamp Lumens: 6000



Measurements taken from A-A' plane.



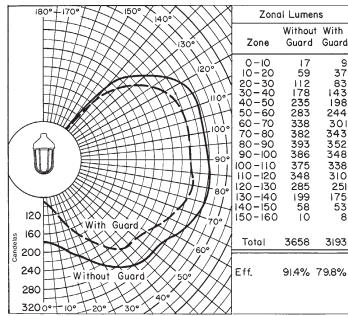
	Total Lumens	Eff. %
With Guard	3360	56.0
Without Guard	3954	65.9

1L

**Lamp: 100W/A-21 through 200W/PS-25  
Total Bare Lamp Lumens: 4000**

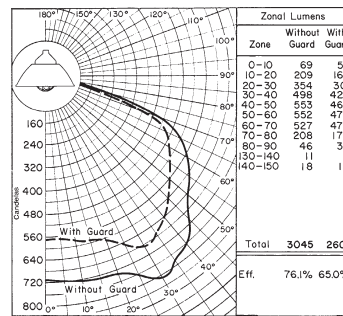
All data provided is for 200W/A-23 incandescent lamp. Use following candela/lumen multipliers for other lamp sizes:  
100W 0.42; 150W 0.7; 200W/PS-25 0.82

**Luminaire With Globe and With or Without Guard**



**Example:** Zonal Lumens for 200W/A-23 lamp with guard for 0-40° is 272 Zonal Lumens for 150W lamp with guard for 0-40° is 272 x 0.7 = 190.

**Luminaire With Globe, Dome Reflector and With or Without Guard**



**Example:** Zonal Lumens for 200W/A-23 lamp with guard for 0-40° is 948 Zonal Lumens for 150W lamp with guard for 0-40° is 948 x 0.7 = 664.

**Coefficient of Utilization**

Effective Floor Cavity Reflectance 20%

% Reflectance Eff. Ceil.	Wall	Room Cavity Ratio				
		1	2	3	4	5
80	50	.654	.549	.471	.407	.353
	30	.608	.486	.400	.333	.282
	10	.567	.432	.345	.277	.228
70	50	.603	.506	.434	.375	.326
	30	.563	.449	.370	.309	.260
	10	.523	.401	.320	.257	.211
50	50	.509	.424	.363	.312	.273
	30	.477	.380	.313	.260	.220
	10	.449	.341	.271	.218	.179
30	50	.422	.349	.297	.255	.223
	30	.399	.315	.259	.214	.180
	10	.376	.285	.225	.180	.147
10	50	.343	.280	.237	.202	.176
	30	.324	.253	.206	.170	.142
	10	.307	.230	.180	.143	.115
80	50	.315	.279	.249	.226	.201
	30	.244	.210	.183	.162	.140
	10	.193	.164	.137	.118	.100
70	50	.289	.257	.230	.208	.185
	30	.225	.194	.170	.150	.130
	10	.177	.150	.127	.110	.093
50	50	.242	.215	.192	.175	.156
	30	.189	.163	.143	.126	.109
	10	.150	.126	.106	.092	.077
30	50	.198	.175	.158	.143	.128
	30	.155	.134	.116	.103	.088
	10	.123	.102	.086	.075	.061
10	50	.157	.140	.124	.114	.101
	30	.122	.106	.091	.080	.068
	10	.096	.080	.066	.057	.045

**Coefficient of Utilization**

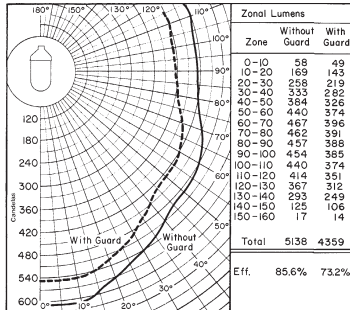
Effective Floor Cavity Reflectance 20%

% Reflectance Eff. Ceil.	Wall	Room Cavity Ratio				
		1	2	3	4	5
80	50	.604	.522	.454	.395	.347
	30	.576	.480	.404	.340	.290
	10	.552	.444	.364	.298	.248
70	50	.591	.512	.445	.387	.339
	30	.565	.472	.398	.336	.286
	10	.543	.440	.361	.296	.246
50	50	.564	.490	.428	.372	.327
	30	.544	.457	.387	.327	.280
	10	.526	.428	.354	.292	.245
30	50	.541	.470	.411	.358	.315
	30	.525	.444	.377	.319	.273
	10	.509	.419	.348	.288	.241
10	50	.521	.452	.396	.345	.304
	30	.507	.429	.367	.311	.268
	10	.494	.409	.342	.283	.238
80	50	.309	.274	.244	.222	.193
	30	.253	.220	.192	.170	.142
	10	.214	.184	.155	.135	.110
70	50	.303	.270	.241	.219	.189
	30	.250	.217	.191	.168	.142
	10	.211	.181	.154	.135	.110
50	50	.291	.260	.232	.211	.184
	30	.245	.212	.186	.166	.139
	10	.209	.179	.153	.134	.109
30	50	.281	.250	.225	.204	.178
	30	.239	.209	.182	.162	.136
	10	.207	.177	.152	.133	.107
10	50	.272	.243	.217	.198	.173
	30	.234	.205	.179	.159	.134
	10	.205	.175	.150	.131	.106



Lamp: 300W/PS-30  
Total Bare Lamp Lumens: 6000

Luminaire With Globe Only

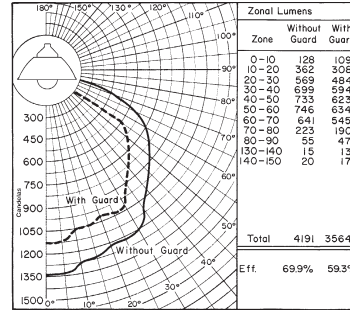


Coefficient of Utilization

Effective Floor Cavity Reflectance 20%

% Reflectance	Room Cavity Ratio					
	Eff. Ceil.	Wall	1	2	3	4
80	50	.692	.582	.499	.431	.373
	30	.644	.515	.425	.354	.300
	10	.602	.459	.367	.295	.243
70	50	.636	.534	.458	.396	.345
	30	.594	.475	.392	.327	.276
	10	.552	.425	.339	.273	.223
50	50	.532	.444	.380	.327	.286
	30	.500	.398	.328	.272	.230
	10	.470	.358	.285	.229	.188
30	50	.437	.362	.308	.264	.230
	30	.412	.326	.268	.222	.186
	10	.389	.295	.234	.186	.152
10	50	.350	.285	.241	.205	.179
	30	.331	.258	.210	.172	.144
	10	.313	.235	.183	.145	.116
% Reflectance	Room Cavity Ratio					
	Eff. Ceil.	Wall	6	7	8	9
80	50	.333	.295	.263	.238	.212
	30	.258	.223	.194	.170	.147
	10	.205	.173	.145	.125	.105
70	50	.305	.271	.241	.219	.194
	30	.238	.204	.178	.157	.136
	10	.188	.158	.133	.115	.097
50	50	.253	.224	.200	.181	.162
	30	.198	.170	.148	.131	.113
	10	.157	.132	.110	.095	.079
30	50	.204	.180	.162	.146	.130
	30	.160	.138	.119	.105	.090
	10	.127	.105	.088	.075	.061
10	50	.158	.141	.124	.114	.101
	30	.123	.106	.091	.080	.067
	10	.096	.079	.066	.055	.044

Luminaire With Globe and Dome Reflector



Coefficient of Utilization

Effective Floor Cavity Reflectance 20%

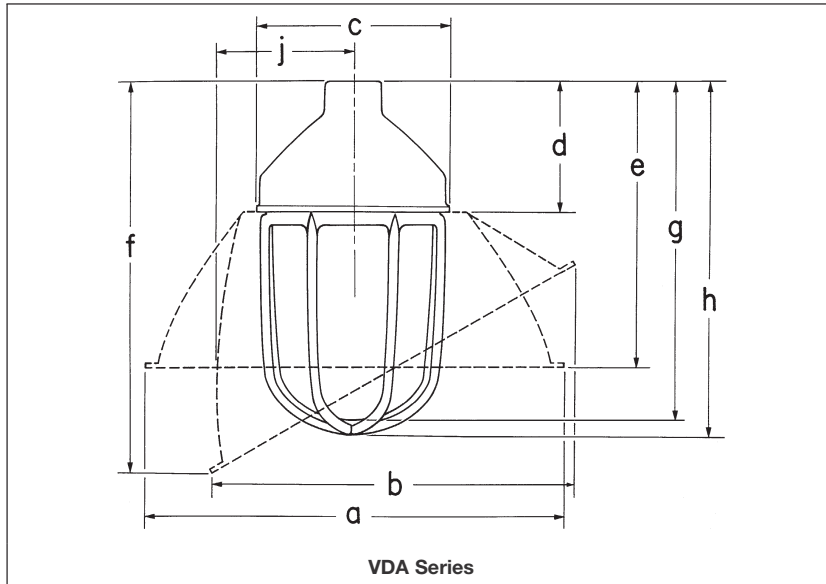
% Reflectance	Room Cavity Ratio					
	Eff. Ceil.	Wall	1	2	3	4
80	50	.766	.671	.587	.514	.454
	30	.734	.621	.528	.448	.385
	10	.706	.579	.482	.398	.334
70	50	.750	.657	.577	.505	.443
	30	.720	.610	.521	.444	.380
	10	.694	.573	.477	.395	.332
50	50	.717	.630	.555	.485	.429
	30	.693	.592	.507	.432	.372
	10	.672	.558	.468	.390	.329
30	50	.688	.606	.535	.468	.414
	30	.670	.575	.494	.422	.364
	10	.651	.546	.460	.385	.325
10	50	.663	.584	.516	.452	.400
	30	.647	.557	.482	.412	.357
	10	.632	.534	.452	.379	.321
% Reflectance	Room Cavity Ratio					
	Eff. Ceil.	Wall	6	7	8	9
80	50	.404	.360	.322	.293	.254
	30	.337	.294	.258	.229	.191
	10	.289	.250	.212	.185	.151
70	50	.397	.354	.317	.288	.249
	30	.333	.290	.256	.227	.191
	10	.285	.246	.211	.185	.151
50	50	.383	.342	.306	.279	.243
	30	.326	.284	.250	.223	.187
	10	.283	.244	.209	.184	.150
30	50	.371	.330	.297	.270	.235
	30	.320	.280	.245	.218	.184
	10	.281	.241	.208	.182	.148
10	50	.359	.322	.288	.262	.229
	30	.313	.275	.241	.215	.181
	10	.277	.239	.206	.180	.146



# VAPORGARD™ Incandescent Luminaires

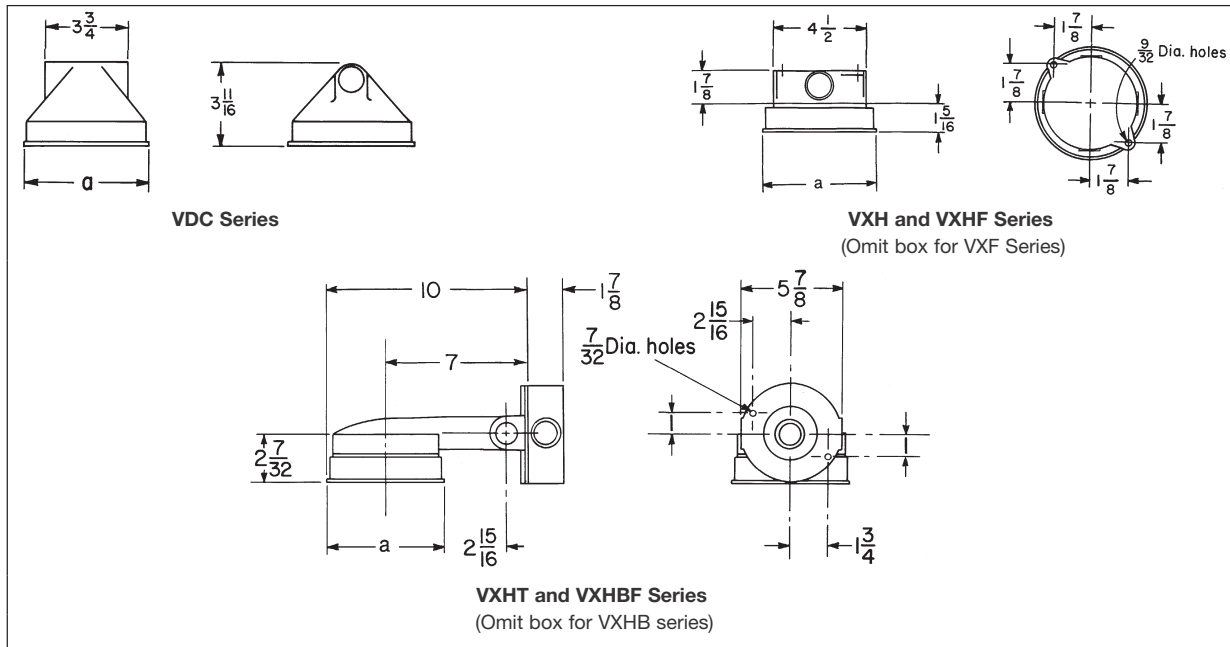
1L

## Dimensions



### Dimensions in Inches

	150 watt, A-21	200 watt, PS-25	300 watt, PS-30
a	12 <sup>7</sup> / <sub>8</sub>	16 <sup>7</sup> / <sub>8</sub>	16 <sup>7</sup> / <sub>8</sub>
b	11 <sup>1</sup> / <sub>8</sub>	14 <sup>7</sup> / <sub>8</sub>	14 <sup>7</sup> / <sub>8</sub>
c	5 <sup>3</sup> / <sub>8</sub>	6	6
d	3 <sup>13</sup> / <sub>16</sub>	4	4
e	8 <sup>7</sup> / <sub>16</sub>	9 <sup>1</sup> / <sub>8</sub>	9 <sup>1</sup> / <sub>8</sub>
f	12	14	14
g	8 <sup>13</sup> / <sub>16</sub>	10 <sup>1</sup> / <sub>2</sub>	12
h	9	10 <sup>13</sup> / <sub>16</sub>	13 <sup>1</sup> / <sub>8</sub>
j	4 <sup>1</sup> / <sub>2</sub>	6 <sup>11</sup> / <sub>16</sub>	6 <sup>11</sup> / <sub>16</sub>



### Dimensions in Inches

Max. Lamp Size	a
150 watt, A-21	5 <sup>3</sup> / <sub>8</sub>
200 watt, A-23, A-25, PS-25 and 300 watt, PS-30	6

1L