

# Pro

## ProGuard 717/718/br



### FEATURES

- Available in 100w, 150w and 300w incandescent or 18w, 26w and 32w compact fluorescent.
- High temperature silicone gaskets provide a watertight seal.
- Protective guard provided.
- A wide variety of globe materials and colors.

### APPLICATIONS

- Ceiling mount type
- Marine and watertight requirements
- Dusttight requirements
- Military ships
- Coast guard rescue vessels
- Bridge & pier lighting

### APPROVALS

- Conforms to IP66
- Marine Outside Type Saltwater
- ABS

### STANDARDS

- UL 1598A - Luminaires for Marine Vessels

### TECHNICAL SPECIFICATIONS

#### HOUSING

Cast marine brass.

#### GUARD

Cast marine brass.

#### HARDWARE

Stainless steel.

#### ENTRIES

Standard units undrilled. Up to 1" NPT four way available. See ENTRY OPTIONS for selections.

#### GASKETS

One piece silicone.

#### MOUNTING

Ceiling type.

#### LAMP HOLDER

Medium base, high temperature PBT. Nickel plated copper screw shell. Porcelain or shockproof optional. Compact fluorescent polycarbonate.

#### GLOBE

Glass, tempered glass or polycarbonate.

#### LAMP TYPE

Incandescent or 4-pin compact fluorescent. Lamp not provided.

#### VOLTAGE

Incandescent rated to 300v.

Compact fluorescent rated to 120v 50/60Hz, optional 277v 50/60Hz.

#### TERMINAL BLOCK

Four pole or six pole optional for incandescent models only.

## ORDERING REFERENCES

PART NUMBER	DESCRIPTION	LAMP MAX	WEIGHT LBS
717B	Ceiling Mount	A-19 100w	6.5
717B7	Ceiling Mount	A-21 150w	7.0
F717B7-#	Ceiling Mount	CF	9.5
718B	Ceiling Mount	PS-25 300w	9.5

# Enter compact fluorescent (CF) wattage desired: 18, 26 or 32.

## SPECIAL OPTIONS

K	- Double Pole Toggle Switch
P*	- Porcelain Lamp Holder
SP	- Shockproof Lamp Holder
T*	- Terminal Block (4 pole)
T6*	- Terminal Block (6 pole)
HR	- Heat Resistant Clear Glass Globe
FST	- Frosted Globe
PG**	- Polycarbonate Clear Globe (Guard not provided)
RG	- Red Globe
BLU	- Blue Globe
GRN	- Green Globe
YEL	- Yellow Globe
L	- Shallow Dome Reflector
N	- Angle Dome Reflector
-276	- 277v 60Hz (Compact fluorescent only)

\*Not available with compact fluorescent.

\*\*100w incandescent or compact fluorescent only.

## ENTRY OPTIONS

NPT Trade Size	Dead End	Thru Feed	90 Degree	X-Positions
1/2"	E1	C1	L1	X1
3/4"	E2	C2	L2	X2
1"	E3	C3	L3	X3

## SPARE PARTS

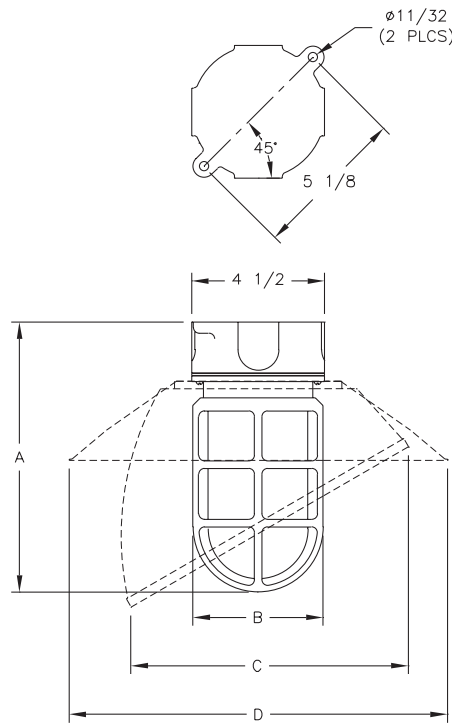
Part No.	Description	Part No.	Description
INX1036B	GUARD, 100w 6"	INX3528	LAMP, 100w Incandescent
INX1037B	GUARD, 150w 7"	INX3543	LAMP, 150w Incandescent
INX1020B	GUARD, 300w 9"	INX3559	LAMP, 300w Incandescent
FX5206	BALLAST, 120VAC 50/60Hz	FX3552	LAMP, 18w Compact Fluorescent
FX5242	BALLAST, 277VAC 50/60Hz	FX3553	LAMP, 26w Compact Fluorescent
GKT2002SIL	GASKET, Globe 100w	FX3554	LAMP, 32w Compact Fluorescent
GKT2002SIL	GASKET, Globe 150w	INX4544	REFLECTOR, Shallow Dome, 100w/150w
GKT1149SIL	GASKET, Globe 300w	INX4546B	REFLECTOR, Shallow Dome, 300w
GKT3000SIL	GASKET, Junction Box	INX4539B	REFLECTOR, Angle Dome, 100w/150w
INX4000	LAMP HOLDER, Incandescent, Standard PBT	INX4542B	REFLECTOR, Angle Dome, 300w
INX4000P	LAMP HOLDER, Incandescent, Porcelain	INX3012	DOUBLE POLE TOGGLE SWITCH
INX4000SP	LAMP HOLDER, Incandescent, Shockproof	GKT8000	SWITCH BOOT
FX4030	LAMP HOLDER, Compact Fluorescent, 18w	INX6037B	JUNCTION BOX
FX4034	LAMP HOLDER, Compact Fluorescent, 26w & 32w	INX2006*	GLASS GLOBE, 100w 6"
CX3070	TERMINAL BLOCK, 4 pole	INX2007*	GLASS GLOBE, 150w 7"
CX3076	TERMINAL BLOCK, 6 pole	INX2009*	GLASS GLOBE, 300w 9"

\*Add one of the following suffix to the above part number to obtain the globe.

Clear Heat Resistant - HR Clear - CLR Green - GRN  
Frosted - FST Red - RED Yellow - YEL Blue - BLU

# ProGuard 717/718/br

## DIMENSIONS



Dimensions in inches

			Option "N"	Option "L"
Part No.	Dim A	Dim B	Dim C	Dim D
717B	9 1/8"	4 1/4"	9 1/4"	12 1/2"
717B7	9 7/8"	4 1/4"	9 1/4"	12 1/2"
718B	12 1/2"	6"	10 3/4"	15 3/4"

NOTES