

# Pro

## ProGuard 707/al



### FEATURES

- Available in 100w or 150w incandescent or 18w, 26w and 32w compact fluorescent.
- High temperature silicone gaskets provide a watertight seal.
- Choice of wall or flush wall mount.
- Protective guard provided.
- A wide variety of globe materials and colors.

### APPLICATIONS

- Wall mount type
- Marine and watertight requirements
- Dusttight requirements
- Freezer and refrigeration
- Pharmaceutical & additives formulation & processing
- Waste water treatment plants
- Bridge & pier lighting

### APPROVALS

- Conforms to IP66
- Marine Outside Type Saltwater
- ABS

### STANDARDS

- UL 1598A - Luminaires for Marine Vessels

### TECHNICAL SPECIFICATIONS

#### HOUSING

Cast copper free aluminum.

#### GUARD

Cast copper free aluminum.

#### HARDWARE

Stainless steel.

#### ENTRIES

Standard units undrilled. Up to 1" NPT four way available. See ENTRY OPTIONS for selections.

#### GASKETS

One piece silicone.

#### MOUNTING

Wall and Flush.

#### LAMP HOLDER

Medium base, high temperature PBT. Nickel plated copper screw shell. Porcelain or shockproof optional. Compact fluorescent polycarbonate.

#### GLOBE

Glass, tempered glass or polycarbonate.

#### LAMP TYPE

Incandescent or 4 Pin compact fluorescent. Lamp not provided.

#### VOLTAGE

Incandescent rated to 300v.

Compact fluorescent rated to 120v 50/60Hz, optional 277v 50/60Hz.

#### TERMINAL BLOCK

Four pole or six pole optional for incandescent models only.

## ORDERING REFERENCES

PART NUMBER	DESCRIPTION	LAMP MAX	WEIGHT LBS	BOX DEPTH
707A	Wall Mount	A-19 100w	2.8	2"
707A7	Wall Mount	A-21 150w	2.8	2"
F707A7-#	Wall Mount	CF	2.8	2"
707AF	Flush Mount	A-19 100w	3.3	2 3/8"
707AF7	Flush Mount	A-21 150w	3.3	2 3/8"
F707AF7-#	Flush Mount	CF	2.8	2 3/8"

# Enter compact fluorescent (CF) wattage desired: 18, 26 or 32.

## SPECIAL OPTIONS

- K - Double Pole Toggle Switch (Not for Flush mount)
- P\* - Porcelain Lamp Holder
- SP - Shockproof Lamp Holder
- T\* - Terminal Block (4 pole)
- T6\* - Terminal Block (6 pole)
- FST - Frosted Globe
- PG\*\* - Polycarbonate Clear Globe (Guard not provided)
- RED - Red Globe
- BLU - Blue Globe
- GRN - Green Globe
- YEL - Yellow Globe
- HR - Heat Resistant Clear Glass Globe
- 276 - 277v 60Hz (Compact fluorescent only)

\*Not for use with compact fluorescent.

\*\*100w incandescent and compact fluorescent only.

## ENTRY OPTIONS

NPT Trade Size	Dead End	Thru Feed	90 Degree	X-Positions
1/2"	E1	C1	L1	X1
3/4"	E2	C2	L2	X2
1"	E3	C3	L3	X3

## SPARE PARTS

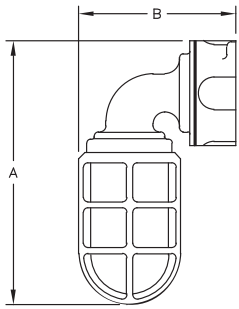
Part No.	Description
FX5206	BALLAST, 120VAC 50/60Hz
FX5242	BALLAST, 277VAC 50/60Hz
INX3528	LAMP, 100w Incandescent
INX3543	LAMP, 150w Incandescent
FX3552	LAMP, 18w Compact Fluorescent
FX3553	LAMP, 26w Compact Fluorescent
FX3554	LAMP, 32w Compact Fluorescent
INX4000	LAMP HOLDER, Incandescent, Standard PBT
INX4000P	LAMP HOLDER, Incandescent, Porcelain
INX4000SP	LAMP HOLDER, Incandescent, Shockproof
FX4030	LAMP HOLDER, Compact Fluorescent, 18w
FX4034	LAMP HOLDER, Compact Fluorescent, 26w & 32w
INX2006*	GLASS GLOBE, 100w 6"
INX2007*	GLASS GLOBE, 150w 7"
GKT2002SIL	GASKET, Globe 100w
GKT2002SIL	GASKET, Globe 150w
GKT3000SIL	GASKET, Junction Box
GKT3005	GASKET, Flush Box Flange
INX1036A	GUARD, 100w
INX1037A	GUARD, 150w
INX6037A	JUNCTION BOX, Wall Mount
INX6055A	JUNCTION BOX, Flush Mount
CX3070	TERMINAL BLOCK, 4 pole
CX3076	TERMINAL BLOCK, 6 pole
GKT8000	SWITCH BOOT
INX3012	DOUBLE POLE TOGGLE SWITCH

\*Add one of the following suffix to the above part number to obtain the globe.

Clear Heat Resistant - HR Clear - CLR Green - GRN  
Frosted - FST Red - RED Yellow - YEL Blue - BLU

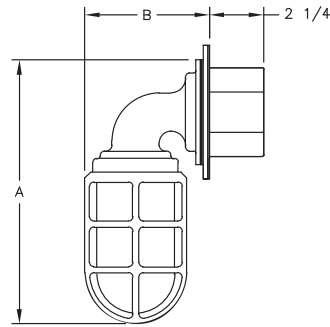
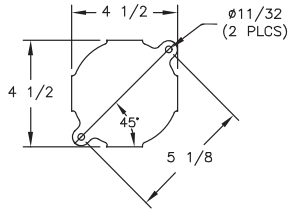
# ProGuard 707/al

## DIMENSIONS



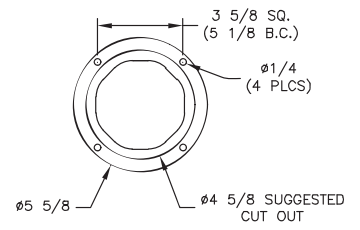
707

Part No.	Dim A	Dim B
707A	11"	6 3/4"
707A7	11 3/4"	6 3/4"



707F

Part No.	Dim A	Dim B
707AF	11"	5"
707AF7	11 3/4"	5"



NOTES