

# Pro

## ProBerth **FBN/FMN/ml**



### FEATURES

- Compact design.
- Clear fluted lens allows even light distribution.
- Wrap around lens design, 180° light dispersion, mirror type.
- Tool-less entry for easy relamping.
- Switch and convenience outlet provided.
- Optional gold and silver architectural finishes.
- Lamps provided.

### APPLICATIONS

- Berth and mirror
- Marine interior
- State room
- Head

### APPROVALS

- Conforms to IP40
- Marine Inside Type
- ABS

### STANDARDS

- UL 1598A - Luminaires for Marine Vessels

### TECHNICAL SPECIFICATIONS

#### HOUSING

Type 5052H32 aluminum.

#### COVER

Acrylonitrile Butadiene Styrene (ABS), gloss white. Optional gold and silver architectural finishes, see SPECIAL OPTIONS.

#### LENS

Clear fluted DR acrylic.

#### REFLECTOR

Type 5052H32 aluminum with an electrostatically applied white polyester power coat finish. Minimum 90% reflectance.

#### ENTRIES

One 1/2" and one 3/4" NPT knockouts provided.

#### LAMP HOLDER

Polycarbonate, Mini Bi-Pin.

#### MOUNTING

Wall type, through luminaire interior, see DIMENSIONS for details.

#### CONVENIENCE OUTLET

125v 3 wire 2 pole "U" ground. Optional "No Convenience Outlet". Not provided on 220v models.

#### SWITCH

Push type momentary contact. Optional double pole toggle.

#### BALLAST

120v 60Hz. See SPECIAL OPTIONS for other voltages.

Lamp Wattage	Ballast/Socket Type	ANSI Lamp Code	Starting Temp	Maximum Ambient*
8w	T5 Mini Bi-Pin G5	F8T5	50°F/10°C	55°C

\*Consult factory for optional higher ambient models.

## ORDERING REFERENCES

PART NUMBER	LAMP TYPE	NO. LAMPS	WEIGHT LBS
FBN18	Berth Type	1	2.2
FBN28	Berth Type	2	2.8
FMN18	Mirror Type	1	2.2
FMN28	Mirror Type	2	2.8

## SPECIAL OPTIONS

- G - Gold Finish (Special order, minimum quantities apply)
- S - Silver Finish (Special order, minimum quantities apply)
- DS - Double Pole Toggle Switch
- LCO - Without Convenience Outlet
- NHB\* - Marine Habitation Berth Light (6w night light)
- C\* - Low Smoke Cable
- 226\*\* - 220v 60Hz

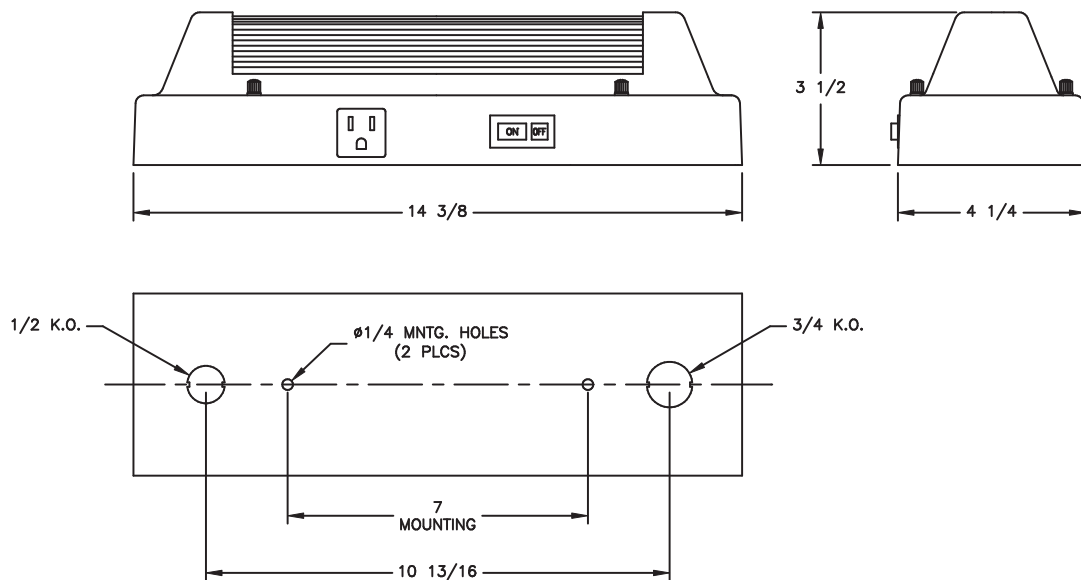
\*Not UL listed.

\*\*Not available with Convenience Outlet.

## SPARE PARTS

Part No.	Description
FX5012	BALLAST
FX6092FB	LENS ASSEMBLY, FBN
FX6092FM	LENS ASSEMBLY, FMN
FX3509	LAMP, F8T5
FX4029	LAMP HOLDER
FX3029	PUSH TYPE SWITCH
INX3012	DOUBLE POLE SWITCH
CX3001	CONVENIENCE OUTLET

## DIMENSIONS



Dimensions in inches