

## DFL/al



### FEATURES

- 150 - 400w high pressure sodium or 175-400w metal halide.
- AEx nR, Ex nR restricted breathing rating is standard—restricted breathing offers cooler T-numbers for increased hazardous locations suitability.
- NEMA 7x6 butterfly beam floodlight pattern—wide, uniform and far reaching to provide excellent efficiency and more light where you need it.
- NEMA Type 4X and IP66 heavy-duty, die-cast copper-free aluminum construction is designed for use indoors and outdoors in marine and wet locations with stainless steel external hardware suitable for saltwater and corrosive applications.
- 40°C, 55°C and 65°C ambient suitability—addresses high ambient common at industrial facilities.
- Low ambient capability to -40°C—perfect for colder climates.
- Hinged door frame assembly—has captive cover screws for ease of relamping.
- Yoke mount design—standard construction provides the greatest mounting flexibility, can be mounted vertically (wall), horizontally (rooftop or floor) or any angle in between.
- 3-axis resonance withstand and UL844 vibration compliant—can stand up to the tough jobs.
- Precision formed aluminum reflector—superior beam control, distribution and efficiency.
- High light output with a low cost of operation—cost-effectiveness in a high-wattage floodlight.
- Slipfitter Adapter for Pole mounting and Wall Mounting bracket is available.

### APPLICATIONS

- Hazardous locations
- Onshore drilling and exploration
- Pipeline compressor pipeline & storage
- Corrosive environments
- Façade security lighting

### APPROVALS

- Class I Division 2 Groups A, B, C & D
- Class I Zone 2 - AEx nR II
- Class II Division 1 Groups F and G (250W max)
- Ex nR II
- NEMA Type 4X
- IP66
- Wet Locations
- Marine Locations
- ABS

### STANDARDS

- UL/cUL 844 - Hazardous Locations
- UL/cUL 1598 - Luminaires
- 60079-15
- UL/cUL 1598A - Supplemental requirements for installation on marine vessels

### TECHNICAL SPECIFICATIONS

#### HOUSING/LENS FRAME

Heavy duty copper-free aluminum die-cast, finished with Corro-Free™ epoxy powder coat.

#### WIND RATING

EPA - 2.9 at vertical.

#### MOUNTING BRACKETS

Yoke mount aluminum, finished with Corro-Free™ epoxy powder coat. Please see SPECIAL OPTIONS for additional selections.

#### ENTRIES

One 3/4" AEx/Ex gland.

#### GASKET

One piece silicone.

#### HARDWARE

Stainless steel.

#### REFLECTORS

Precision formed aluminum.

#### LENS

Tempered glass, heat and impact resistant.

#### BALLAST

Standard: Multi-Tap (MT) 120/208/240/277V, 60Hz

Optional: 220V-240V 50Hz, Tri-Tap (TT) 120/277/347V, 480V

#### LAMP HOLDER

Mogul base, porcelain.

#### LAMP TYPES

High Pressure Sodium, Metal Halide Probe Start\* and Metal Halide Pulse Start. Luminaires supplied without lamps.

\*Not available in the U.S.

## ORDERING REFERENCES

PART NUMBER	LAMP TYPE	WATTAGE	WEIGHT LBS	ANSI LAMP TYPE	ZONE T-CODE	DIV T-CODE	AMBIENT TEMP (C°)	SUPPLY WIRE TEMP (C°)
<b>DFLMY250/MT 76 S828</b>	Metal Halide Pulse Start	250w	42	M153	T3	T1	40/55/65	90/90/105
<b>DFLMY400/MT 76 S828</b>	Metal Halide Pulse Start	400w	44	M155	T3	T1	40/55	105/105
<b>DFLMY320/MT 76 S828</b>	Metal Halide Pulse Start	320w	44	M154	T3	T1	40/55	105/105
<b>DFLMY250/TT 76*</b>	Metal Halide Probe Start	250w	42	M58*	T3	T1	40/55/65	90/90/105
<b>DFLMY400/TT 76*</b>	Metal Halide Probe Start	400w	44	M59*	T3	T1	40/55	90/105
<b>DFLMY250/220 50 76*</b>	Metal Halide Probe Start	250w	42	M58*	T3	T1	40/55/65	90/90/105
<b>DFLMY400/220 50 76*</b>	Metal Halide Probe Start	400w	44	M59*	T3	T1	40/55	90/105
<b>DFLSY250/MT 76</b>	High Pressure Sodium	250w	40	S50	T3	T1	40/55/65	90/90/105
<b>DFLSY400/MT 76</b>	High Pressure Sodium	400w	44	S51	T3	T1	40/55	90/105
<b>DFLSY250/TT 76</b>	High Pressure Sodium	250w	40	S50	T3	T1	40/55/65	90/90/105
<b>DFLSY400/TT 76</b>	High Pressure Sodium	400w	44	S51	T3	T1	40/55	90/105
<b>DFLSY250/220 50 76</b>	High Pressure Sodium	250w	40	S50	T3	T1	40/55/65	90/90/105
<b>DFLSY400/220 50 76</b>	High Pressure Sodium	400w	44	S51	T3	T1	40/55	90/105

\*Not available in the U.S.

## SPECIAL OPTIONS

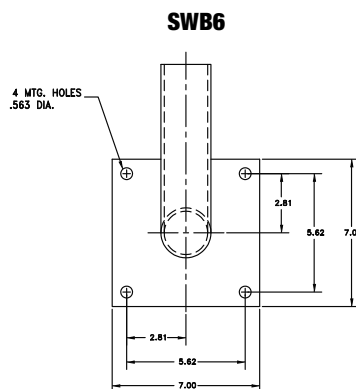
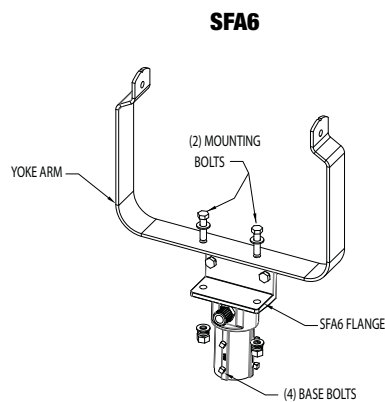
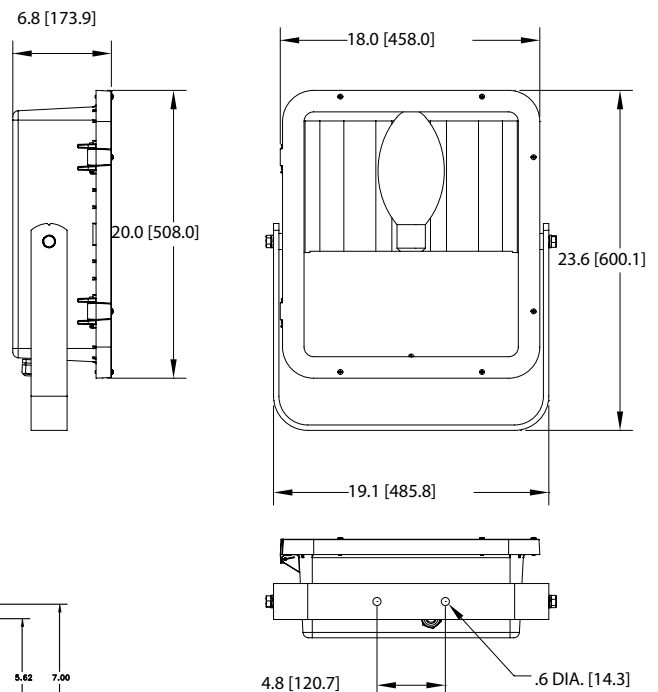
SFA6	- Pole Mount	-480	- Replace "MT" with "480"
SWB6	- Wall Mount	-230	- Replace "220" (only) with "230"
L*	- Lamp		

\*Lamp is not included unless option "L" is selected.

## SPARE PARTS

Part No.	Description
INX5021	BALLAST, High Pressure Sodium 250w
INX5019	BALLAST, High Pressure Sodium 400w
INX5102	BALLAST, Metal Halide Probe Start 250w
INX5033	BALLAST, Metal Halide Probe Start 400w
INX5245	BALLAST, Metal Halide Pulse Start 250w
INX5246	BALLAST, Metal Halide Pulse Start 400w
INX3546	LAMP, High Pressure Sodium 250w
INX3517	LAMP, High Pressure Sodium 400w
INX3541	LAMP, Metal Halide Probe Start 250w
INX3524	LAMP, Metal Halide Probe Start 400w
INX3733	LAMP, Metal Halide Pulse Start 250w
INX3734	LAMP, Metal Halide Pulse Start 400w
SC30H	SAFETY CABLE, 48" Stainless Steel, Snap Hook

## DIMENSIONS



Dimensions in inches