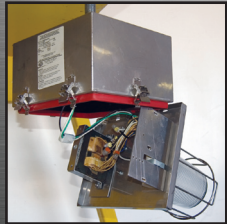


HazCor Optima 1120/ss



Removable Ballast Tray

FEATURES

- The only stainless steel HID solution available.
- Maintenance friendly removable ballast tray.
- Tool less entry via four stainless steel over the center cam latches.
- Lamp base isolated from ballast compartment for higher ambient suitability.
- Tool less lamp replacement.
- Open bottom stainless steel wire guard allows access to the globe for easy relamping.
- High temperature silicone gaskets provide a watertight seal.
- Ceiling, pendant, stanchion or wall mount types.
- Field replaceable globe and gaskets.
- Choice of angled or shallow dome reflectors.

APPLICATIONS

- Mid bay
- Hazardous locations
- Marine and watertight requirements
- Oil and gas exploration and production
- Petrochemical facilities
- Waste water treatment plants
- Pulp and paper production
- Aluminum processing facilities
- Salt and potash mines
- Pharmaceutical & additives formulation & processing
- Corrosive environments

APPROVALS

- Class I Division 2 Groups A, B, C & D
- Class I Zone 2 Groups IIA, IIB, IIB + H2 & IIC
- Type 4X
- Conforms to IP66
- Marine Outside Type Saltwater
- ABS

STANDARDS

- UL 844 - Hazardous Locations
- UL 1598A - Luminaires for Marine Vessels
- CSA - C22.2 No. 137-M1981

TECHNICAL SPECIFICATIONS

HOUSING AND MOUNTS

Type 316 stainless steel.

GLOBE RETAINING RING

Stainless steel.

LATCHES

Stainless steel, over the center cam.

GLOBE

Internally fluted glass.

REFLECTORS

Optional 30° angled or shallow dome acrylonitrile butadiene styrene (ABS), gloss white.

MOUNTINGS

Ceiling, pendant, stanchion and wall.

ENTRIES

3/4" or 1" NPT outlets, stanchion 1 1/4" or 1 1/2".

GASKETS

One piece silicone.

GUARD

Stainless steel guard, optional.

BALLAST

120/208/240/277v 60Hz multi-tap ballast or 480v 60Hz. 50Hz ballasts optional.

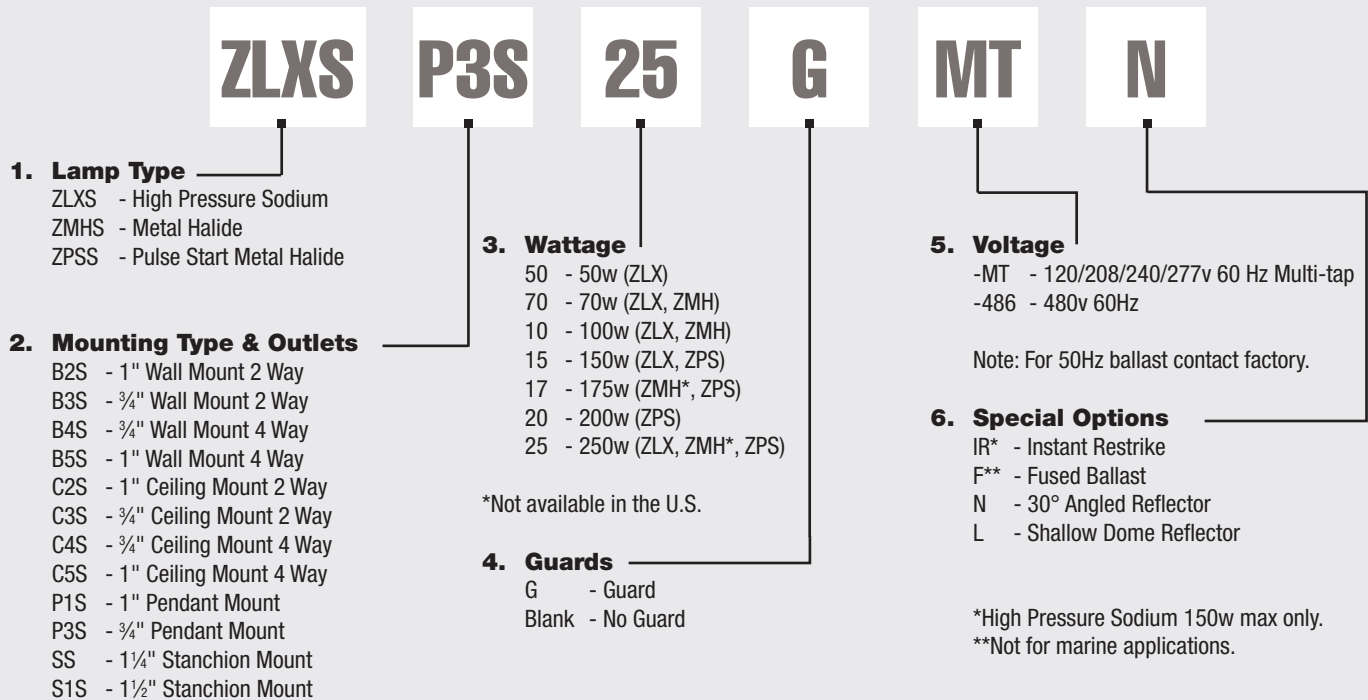
LAMP TYPE

Luminaires are supplied without lamps.

Lamp Type/ Mogul Base	Wattage	ANSI Code	T-Code	Ambient Temp	Supply Wire Temp
HPS	50	S68	T2B	40°C	75°C
HPS	70	S62	T2B	40°C	75°C
HPS	100	S54	T2B	40°C	75°C
HPS	150	S55	T2B	40°C	75°C
HPS	250	S50	T2A	40°C	85°C
MH	70	M98	T2	40°C	75°C
MH	100	M90	T2	40°C	75°C
MH	175*	M57	T2	40°C	75°C
MH	250*	M158	T1	40°C	85°C
PSMH	150	M102	T1	40°C	75°C
PSMH	175	M137	T1	40°C	75°C
PSMH	200	M136	T1	40°C	75°C
PSMH	250	M138	T1	40°C	75°C

*Not available in the U.S.

ORDERING REFERENCES

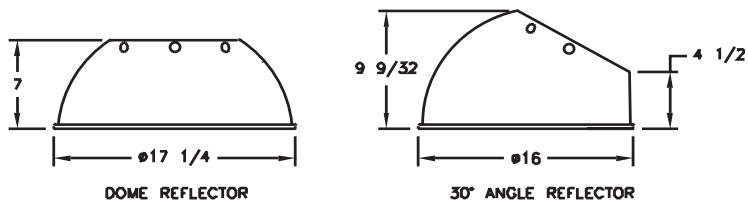
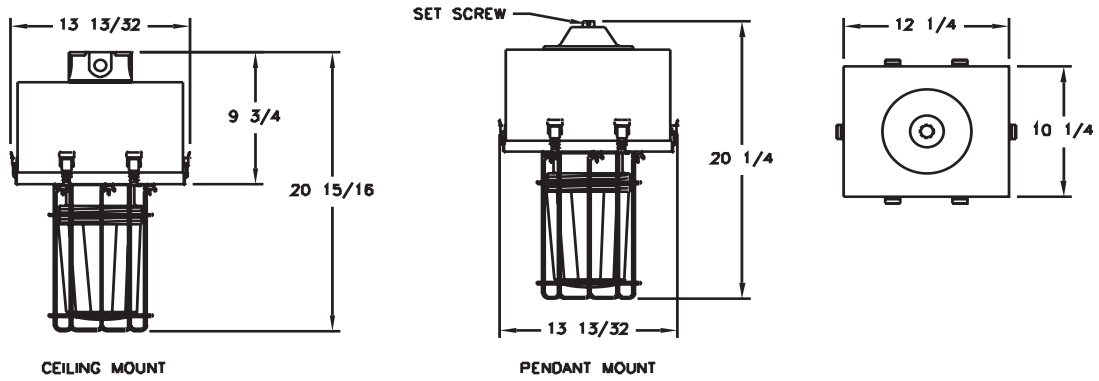
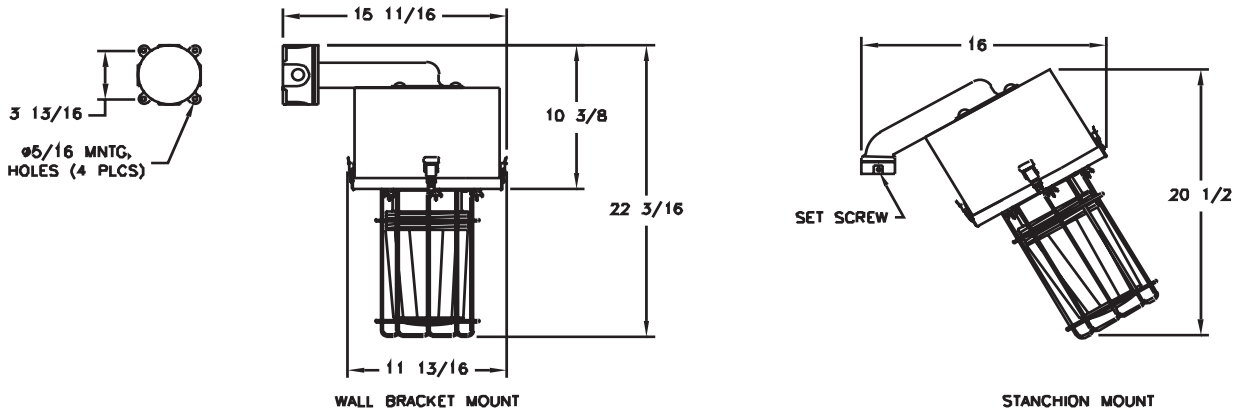


SPARE PARTS

Part No.	Description	Part No.	Description
INX5118	MULTI TAP BALLAST, High Pressure Sodium, 50w	INX3738	LAMP MOGUL BASE, Pulse Start Metal Halide, 200w
INX5116	MULTI TAP BALLAST, High Pressure Sodium, 70w	INX3734	LAMP MOGUL BASE, Pulse Start Metal Halide, 250w
INX5113	MULTI TAP BALLAST, High Pressure Sodium, 100w	INX7050P1S	MOUNTING, Pendant 1"
INX5110	MULTI TAP BALLAST, High Pressure Sodium, 150w	INX7050P3S	MOUNTING, Pendant 3/4"
INX5176	MULTI TAP BALLAST, High Pressure Sodium, 250w	INX7051C2S	MOUNTING, Ceiling 1" 2 Way
INX5135	MULTI TAP BALLAST, Metal Halide, 70w	INX7051C3S	MOUNTING, Ceiling 3/4" 2 Way
INX5133	MULTI TAP BALLAST, Metal Halide, 100w	INX7051C4S	MOUNTING, Ceiling 3/4" 4 Way
INX5022	MULTI TAP BALLAST, Metal Halide, 175w	INX7051C5S	MOUNTING, Ceiling 1" 4 Way
INX5182	MULTI TAP BALLAST, Metal Halide, 250w	INX7053SS	MOUNTING, Stanchion 1 1/4"
INX5263	MULTI TAP BALLAST, Pulse Start Metal Halide, 150w	INX7053S1S	MOUNTING, Stanchion 1 1/2"
INX5244	MULTI TAP BALLAST, Pulse Start Metal Halide, 175w	INX7052B2S	MOUNTING, Wall 1" 2 Way
INX5251	MULTI TAP BALLAST, Pulse Start Metal Halide, 200w	INX7052B3S	MOUNTING, Wall 3/4" 2 Way
INX5245	MULTI TAP BALLAST, Pulse Start Metal Halide, 250w	INX7052B4S	MOUNTING, Wall 3/4" 4 Way
INX3687	LAMP MOGUL BASE, High Pressure Sodium, 50w	INX7052B5S	MOUNTING, Wall 1" 4 Way
INX3662	LAMP MOGUL BASE, High Pressure Sodium, 70w	INX4567	REFLECTOR, 30° Angled
INX3535	LAMP MOGUL BASE, High Pressure Sodium, 100w	INX4568	REFLECTOR, Shallow Dome
INX3651	LAMP MOGUL BASE, High Pressure Sodium, 150w	INX2136	GLOBE, Fluted
INX3546	LAMP MOGUL BASE, High Pressure Sodium, 250w	GKT6089-41	GASKET, Housing
INX3683	LAMP MOGUL BASE, Metal Halide, 70w	GKT3021-1	GASKET, Globe Base
INX3682	LAMP MOGUL BASE, Metal Halide, 100w	INX4004	LAMP HOLDER, HPS, MH
INX3551	LAMP MOGUL BASE, Metal Halide, 175w	INX4100	LAMP HOLDER, PSMH
INX3541	LAMP MOGUL BASE, Metal Halide, 250w	INX1059	GUARD
INX3744	LAMP MOGUL BASE, Pulse Start Metal Halide, 150w		
INX3732	LAMP MOGUL BASE, Pulse Start Metal Halide, 175w		

HazCor Optima 1120/ss

DIMENSIONS



Dimensions in inches

NOTES