

Haz

HazCor Optima 1110/a1



FEATURES

- Maintenance friendly removable ballast tray.
- Tool less entry via four stainless steel over the center cam latches.
- Tool less lamp replacement.
- One-piece high temperature silicone gaskets provide a watertight seal.
- Ceiling, pendant, stanchion or wall mount types.
- Field replaceable globe and gaskets.
- Choice of angled or shallow dome reflectors.

APPLICATIONS

- Mid & low bay
- Hazardous locations
- Marine and watertight requirements
- Oil and gas exploration and production
- Petrochemical facilities
- Waste water treatment plants
- Pulp and paper production
- Pharmaceutical & additives formulation & processing
- Corrosive environments

APPROVALS

- Class I Division 2 Groups A, B, C & D
- Class I Zone 2 Groups IIA, IIB, IIB + H2 & IIC
- Type 4X
- Conforms to IP66
- Marine Outside Type Saltwater
- ABS

STANDARDS

- UL 844 - Hazardous Locations
- UL 1598A - Luminaires for Marine Vessels
- CSA - C22.2 No. 137-M1981

TECHNICAL SPECIFICATIONS

HOUSING AND MOUNTS

Copper free aluminum with an electrostatically applied white polyester powder coat finish.

GLOBE RETAINING RING

Stainless steel.

LATCHES

Stainless steel, over the center cam.

GLOBE

Internally fluted glass. Clear globe optional.

REFLECTORS

Optional 30° angled or shallow dome acrylonitrile butadiene styrene (ABS), gloss white.

MOUNTINGS

Ceiling, pendant, stanchion and wall.

ENTRIES

3/4" or 1" NPT outlets, stanchion 1/4" or 1/2".

GASKETS

Silicone.

GUARD

Optional stainless steel guard.

BALLAST

120/208/240/277v 60Hz multi-tap ballast or 480v 60Hz. 50Hz ballasts optional.

LAMP TYPE

Luminaires are supplied without lamps.

Lamp Type/ Base	Wattage	ANSI Code	T-Code	Ambient Temp	Supply Wire Temp
HPS (MED)	50	S68	T1	25°C	90°C
HPS (MED)	70	S62	T1	25°C	90°C
HPS (MED)	100	S54	T1	25°C	90°C
HPS (MED)	150	S55	T1	25°C	90°C
HPS (MOG)	50	S68	T3	40°C	90°C
HPS (MOG)	70	S62	T3	40°C	90°C
HPS (MOG)	100	S54	T2B	40°C	90°C
HPS (MOG)	150	S55	T2B	40°C	90°C
MH (MED)	70	M98	T1	25°C	110°C
MH (MED)	100	M90	T1	25°C	110°C
MH (MED)	175*	M57	T1	25°C	110°C
MH (MOG)	70	M98	T2A	25°C	110°C
MH (MOG)	100	M90	T2A	25°C	110°C
MH (MOG)	175*	M57	T2A	25°C	110°C
PSMH (MOG)	150	M102	T2A	25°C	110°C

*Not available in the U.S.

ORDERING REFERENCES

LXA **P3A** **15** **H** **G** **MT** ******

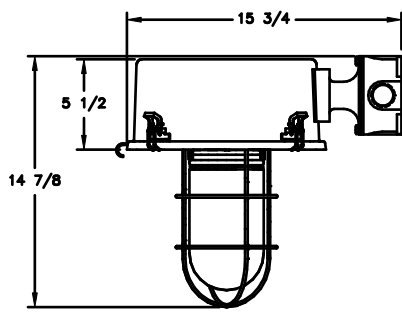
- Lamp Type**
 LXA - High Pressure Sodium
 MHA - Metal Halide
 PSA - Pulse Start Metal Halide
- Mounting Type & Outlets**
 B2A - 1" Wall Mount 2 Way
 B3A - 3/4" Wall Mount 2 Way
 B4A - 3/4" Wall Mount 4 Way
 B5A - 1" Wall Mount 4 Way
 C2A - 1" Ceiling Mount 2 Way
 C3A - 3/4" Ceiling Mount 2 Way
 C4A - 3/4" Ceiling Mount 4 Way
 C5A - 1" Ceiling Mount 4 Way
 P1A - 1" Pendant Mount
 P3A - 3/4" Pendant Mount
 SA - 1 1/4" Stanchion Mount
 S1A - 1 1/2" Stanchion Mount
- Wattage**
 50 - 50w (LX)
 70 - 70w (LX, MH)
 10 - 100w (LX, MH)
 15 - 150w (LX, PS)
 17 - 175w (MH*)
 *Not available in the U.S.
- Lamp Holders**
 Blank - Medium Base
 H - Mogul Base
- Guards**
 Blank - No Guard
 G - Guard
- Voltage**
 -MT - 120/208/240/277v 60Hz Multi-tap
 -486 - 480v 60Hz
 Note: For 50Hz ballasts contact factory.
- Special Options**
 IR* - Instant Restrike
 F** - Fused Ballast
 N - 30° Angled Reflector
 L - Shallow Dome Reflector
 CG - Clear Globe
 *High Pressure Sodium only.
 **Not for marine applications.

SPARE PARTS

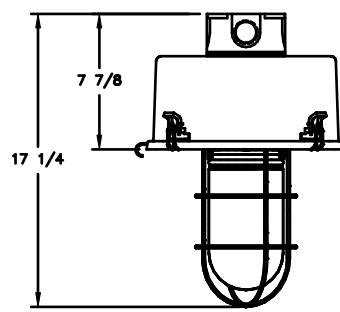
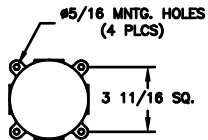
Part No.	Description
INX5118	MULTI TAP BALLAST, High Pressure Sodium, 50w
INX5116	MULTI TAP BALLAST, High Pressure Sodium, 70w
INX5113	MULTI TAP BALLAST, High Pressure Sodium, 100w
INX5110	MULTI TAP BALLAST, High Pressure Sodium, 150w
INX5135	MULTI TAP BALLAST, Metal Halide, 70w
INX5133	MULTI TAP BALLAST, Metal Halide, 100w
INX5130	MULTI TAP BALLAST, Metal Halide, 175w
INX5263	MULTI TAP BALLAST, Pulse Start Metal Halide, 150w
INX3653	LAMP MEDIUM BASE, High Pressure Sodium, 50w
INX3621	LAMP MEDIUM BASE, High Pressure Sodium, 70w
INX3632	LAMP MEDIUM BASE, High Pressure Sodium, 100w
INX3593	LAMP MEDIUM BASE, High Pressure Sodium, 150w
INX3647	LAMP MEDIUM BASE, Metal Halide, 70w
INX3659	LAMP MEDIUM BASE, Metal Halide, 100w
INX3620	LAMP MEDIUM BASE, Metal Halide, 175w
INX3743	LAMP MEDIUM BASE, Pulse Start Metal Halide, 150w
INX3687	LAMP MOGUL BASE, High Pressure Sodium, 50w
INX3662	LAMP MOGUL BASE, High Pressure Sodium, 70w
INX3535	LAMP MOGUL BASE, High Pressure Sodium, 100w
INX3651	LAMP MOGUL BASE, High Pressure Sodium, 150w
INX3683	LAMP MOGUL BASE, Metal Halide, 70w
INX3682	LAMP MOGUL BASE, Metal Halide, 100w
INX3551	LAMP MOGUL BASE, Metal Halide, 175w
INX3744	LAMP MOGUL BASE, Pulse Start Metal Halide, 150w
INX7050P1A	MOUNTING, Pendant 1"
INX7050P3A	MOUNTING, Pendant 3/4"
INX7051C2A	MOUNTING, Ceiling 1" 2 Way
INX7051C3A	MOUNTING, Ceiling 3/4" 2 Way
INX7051C4A	MOUNTING, Ceiling 3/4" 4 Way
INX7051C5A	MOUNTING, Ceiling 1" 4 Way
INX7055SA	MOUNTING, Stanchion 1/4"
INX7055S1A	MOUNTING, Stanchion 1/2"
INX7056B2A	MOUNTING, Wall 1" 2 Way
INX7056B3A	MOUNTING, Wall 3/4" 2 Way
INX7056B4A	MOUNTING, Wall 3/4" 4 Way
INX7056B5A	MOUNTING, Wall 1" 4 Way
INX4564	REFLECTOR, 30° Angled Reflector
INX4565	REFLECTOR, Shallow Dome Reflector
INX2150	GLOBE, Fluted
INX2008HR	GLOBE, Clear
GKT6090	GASKET, Housing
GKT2013	GASKET, Globe Base
INX4096	LAMP HOLDER, Medium
INX4100	LAMP HOLDER, Mogul
INX1057	GUARD

HazCor Optima 110/al

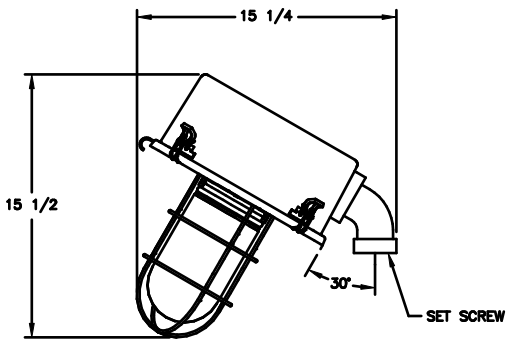
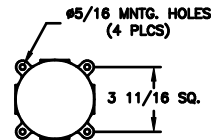
DIMENSIONS



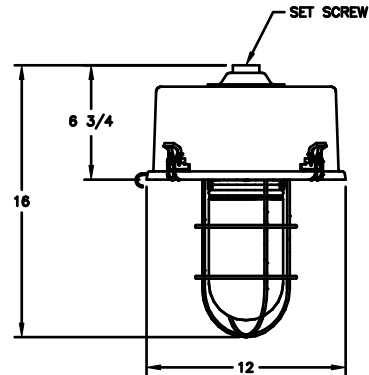
WALL MOUNT



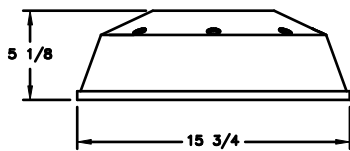
CEILING MOUNT



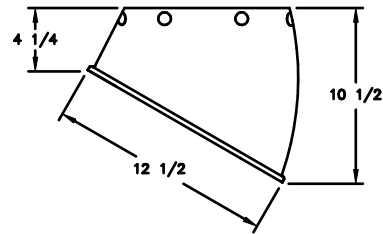
STANCHION MOUNT



PENDANT MOUNT



DOME REFLECTOR



ANGLE REFLECTOR

Dimensions in inches

NOTES