

## Steady-On Beacons

Eaton's Crouse-Hinds Hazard•Gard **EXSO and EXDSO (Diode Polarized) Series Explosionproof Steady-On Beacons** are designed for installation in hazardous locations where a visual signal is required for tough environmental conditions involving corrosives, water, dust and extreme temperature.

The units are UL Listed for Type 3R, 4X and marine installations. The steady-on beacons are available for pendant, wall, stanchion and ceiling mounts, and come in six different globe colors.

Typical industrial and commercial applications include food processing plants, refineries, mines, tankers, laboratories, sewage treatment plants, offshore oil rigs, water and filtration plants and chemical plants.

The diode polarized steady-on beacon is used in electrically supervised circuitry for life safety or security applications.



### Applications:

- Safety lighting
- Exit or entrance lights
- Obstacle warning
- Continuous source to communicate
- For identifying the location of safety equipment such as showers or emergency telephones

### Typical Industries:

- Chemical plants
- Storage handling
- Dust conveyor systems
- Energy exploration
- Textile mills
- Flour and feed mills

### Features and Benefits:

- Powerful halogen light source for clear visual indication
- Available in six different globe colors—amber, blue, clear, green, magenta and red
- Factory sealed—no external seals required
- Quick connect—steady-on beacon fixture threads onto mounting module for easy installation
- Small compact size—ceiling mount is 13<sup>3</sup>/<sub>4</sub>-inch long
- Available in pendant, wall, stanchion and ceiling mount

### Certifications and Compliances:

- Class I, Division 1, Groups C, D
- Class I, Zones 1 & 2, Group IIB
- Class II, Division 1, Groups E, F, G
- Class III
- UL and cUL 1638, UL 1203 and UL 844 Listed
- 1598A Marine Listed (120V AC and 24V DC only)
- cUL Listed C22.2 No. 205
- NEMA 4X watertight, IP66

### Materials and Finishes:

- Body, mounting modules and guard—Copper-free aluminum
- Globe—Heat and impact-resistant glass
- Gaskets—Silicone
- External hardware—Stainless steel
- Internal components—Solid-state electronics in a moisture-resistant and heat-dissipating epoxy
- Epoxy powder coated for corrosion resistance

### Ratings:

- 120V AC (EXR) and 24–28V DC (EXDR)
- Operating Current: 0.35 amps at 120V AC (EXSO); 0.8 amps at 24–28V DC (EXDSO, diode polarized)
- Peak Candlepower: 3328

### Hub Size:

- <sup>3</sup>/<sub>4</sub>-inch NPT pendant, ceiling and wall mount
- 1<sup>1</sup>/<sub>4</sub>-inch NPT stanchion mount

Steady-On Beacons

Ordering Information:

Step 1 - Order Rotating Beacon Type

Cat. #	Voltage	Lens Color	NEMA Rating
<b>Explosionproof Steady-On Beacons</b>			
EXSO301A/120	120V AC	Amber	3R, 4X, Marine
EXSO301B/120	120V AC	Blue	3R, 4X, Marine
EXSO301C/120	120V AC	Clear	3R, 4X, Marine
EXSO301G/120	120V AC	Green	3R, 4X, Marine
EXSO301M/120	120V AC	Magenta	3R, 4X, Marine
EXSO301R/120	120V AC	Red	3R, 4X, Marine

Diode Polarized Explosionproof Steady-On Beacons

EXDSO301A/24 28	24-28V DC	Amber	3R, 4X, Marine
EXDSO301B/24 28	24-28V DC	Blue	3R, 4X, Marine
EXDSO301C/24 28	24-28V DC	Clear	3R, 4X, Marine
EXDSO301G/24 28	24-28V DC	Green	3R, 4X, Marine
EXDSO301M/24 28	24-28V DC	Magenta	3R, 4X, Marine
EXDSO301R/24 28	24-28V DC	Red	3R, 4X, Marine

Step 2 - Order Mounting Module

Cat. #	Hub Size	Mounting Style
EVMP2	3/4"	Pendant
EV22 & EV87	3/4"	Wall
EV22	3/4"	Ceiling
EVMJ4	1 1/4"	Stanchion

Temperature Performance Data:

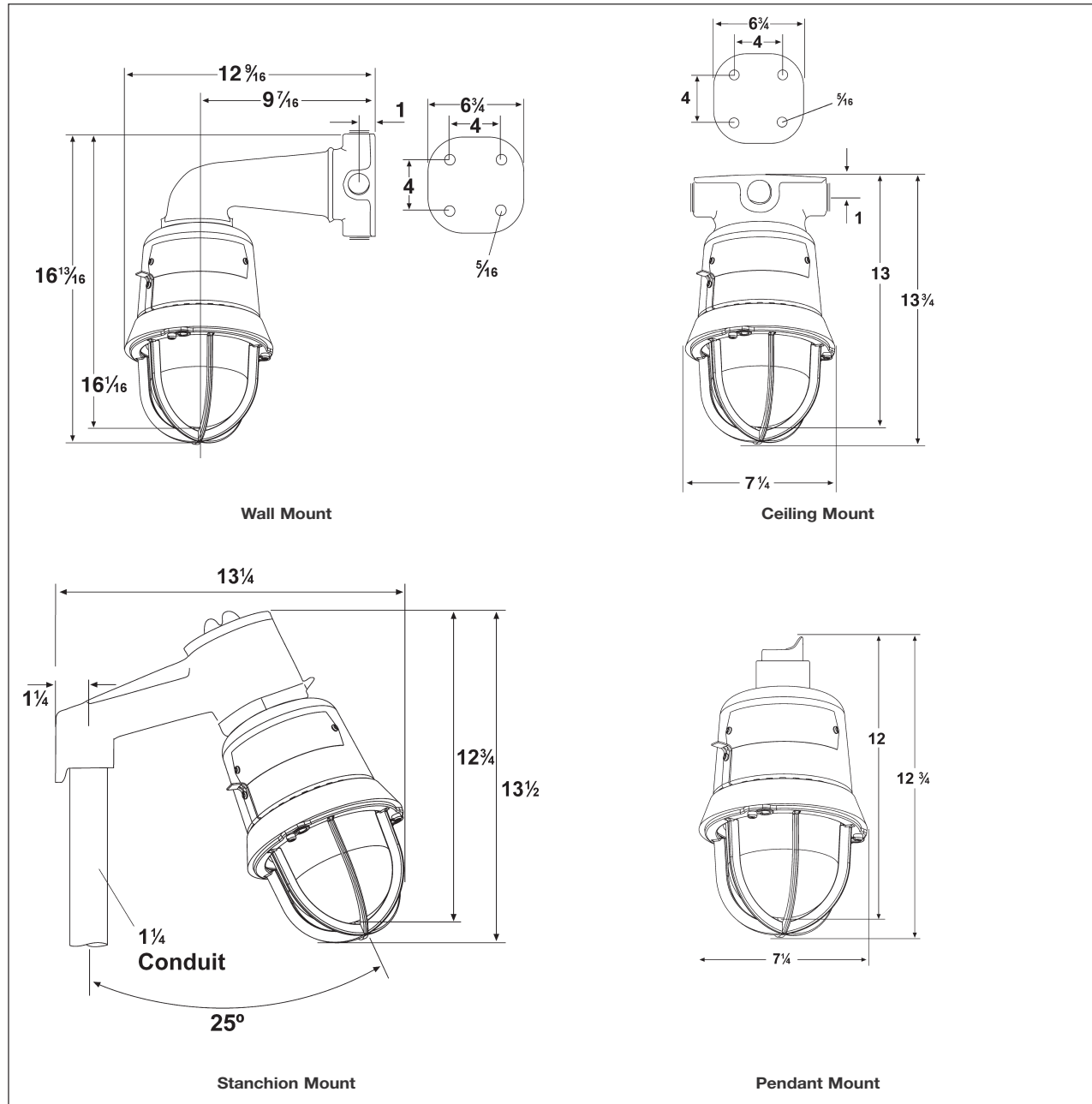
Description	Ambient Max. Temp.	Supply Wire	Class I, Div. 1, 2, Groups C, D, Class I, Zone 1, Group IIB	Class II, Class III, Div. 1, Groups E, F, G	Class II, Class III, Div. 2, Groups F, G
EXSO Series Steady-On Beacon Voltage 120V AC	40°C	75°C	T6 (85°C)	T4A (120°C)	T4A (120°C)
	55°C	90°C	T5 (100°C)	T4 (135°C)	T4 (135°C)
	65°C	105°C	T5 (100°C)	T4 (135°C)	T4 (135°C)
EXDSO Series Steady-On Beacon—Diode Polarized Voltage 24-28V DC	40°C	75°C	T6 (85°C)	T4A (120°C)	T4A (120°C)
	55°C	90°C	T6 (85°C)	T4 (135°C)	T4 (135°C)
	65°C	105°C	T6 (85°C)	T4 (135°C)	T4 (135°C)



**Steady-On Beacons**

**Dimensions**

In Inches:



**Net Luminaire Weights:**

Description	Weight
Luminaire Housing with Guard	11.0 lbs.

**Add mounting modules:**

Pendant	1.0 lbs.
Ceiling	1.0 lbs.
Wall	4.5 lbs.
Stanchion	2.5 lbs.

**Crouse-Hinds**  
by **E•T•N**

**3S**