

EVLS Hazard•Gard®

Compact & Rugged, Class I, Zone 1, Div. 1 Explosionproof Luminaire

Cl. I, Div. 1, Group B (with suffix GB), C, D
Cl. I, Zone 1, Group IIB + H₂ (with suffix GB)
Cl. II, Cl. III & Simultaneous Presence

UL and cUL Listed
Wet locations (UL1598)
Marine locations (UL1598A)
Type 4X, IP66

4L

A compact, affordable, explosionproof luminaire that has the best overall temperature performance ratings in its class!

Eaton's Crouse-Hinds EVLS Hazard•Gard® is perfect as a general area lighting workhorse where space constraints exist. EVLS Hazard•Gard® is easy to install, 175 watts and less, has select options that are just right for your budget — AND it's Class I, Division 1, Group B with GB option!

Applications:

Eaton's Crouse-Hinds EVLS Hazard•Gard Lighting Fixtures are used for general lighting and task lighting in:

- Areas where flammable or explosive vapors or gases are present
- Confined spaces or heavy process industry facilities
- Petroleum refineries; chemical, petrochemical and pharmaceutical plants; oil terminals; gas plants
- Waste treatment facilities
- Drilling platforms and other coastal and offshore hazardous areas

Features:

- Compact and rugged - a Division 1 luminaire that fits in tight spaces
- Smooth turning two start Acme threads for mounting modules and globe attachments save time and eliminate installation damage
- Quick-connect design facilitates easy installation and saves money - install and wire the mounting module, and then screw in luminaire to make the electrical connection
- Best overall T-rating in the industry for a medium-base HID lamp - use in elevated ambient and illuminate the most volatile areas of your facility - optimal safety in your high-risk areas
- Factory-sealed - wired and sealed with no external sealing fittings required in Groups B, C, and D
- An adapter module is available for direct connection to existing Hazard•Gard modules such as the EV22 ceiling mount

Certification & Compliances:

UL (844) and cUL Listed (CSA C22.2 No. 137) for:

- Class I, Division 1, Groups B (with suffix GB), C, D
- Class I, Zone 1, Group IIB + H₂ (with suffix GB)
- Class II, Class III & Simultaneous Presence
- Wet locations (UL1598), Marine locations (UL1598A), Type 4X, IP66

Standard Materials:

- Bodies, mounting modules and cast guards – copper-free aluminum
- Wire guard – stainless steel
- Globe – heat- and impact-resistant glass
- Gaskets – silicone and neoprene

Standard Finishes:

- Epoxy powder coat paint

Ratings (Electrical Size):

Sources/Wattages:

- HID Medium Base (initial offering)
HPS: 50, 70, 100, 150 watt
Metal Halide: 70, 100, 175 watt
Pulse Start Metal Halide: 150, 175 watt

Voltages:

- Multi-tap (120, 208, 240, 277V/60 Hz)
- 480V/60 Hz
- Tri-tap (120, 277, 347V/60 Hz)
- 220V/60 Hz
- 220/240V (or 230V)/50 Hz

Transformer Types:

- HX-HPF Standard
- CWA Standard on 175W
CWA Constant Wattage Autotransformer
CWI Constant Wattage Insulation Transformer
Available for HPS and MH, for most voltages and wattages (Additional voltages available on request.)

Conduit Entries:

- ¾" and 1" NPT – pendant, ceiling and wall mount
- 1½" NPT – stanchion

Options:

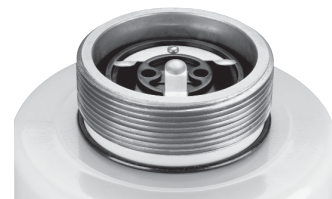
- | Description | Suffix |
|--------------------------|-----------|
| • Instant Restrike (HPS) | IR |
| • Ballast-Gard™ (HPS) | BG |
| • Group B Suitability | GB |

Accessories:

- | Description | Suffix |
|-------------------|----------------------|
| • Dome Reflector | RD725 |
| • Angle Reflector | RA725 |
| • Guard | EV502 or P515 |



Two Start Acme Threads



Quick Connect Design



Adapter Module Available

4L

4L EVLS Hazard•Gard®

Cl. I, Div. 1, Groups B
(with suffix GB), C, D
Cl. I, Zone 1, Group IIB + H₂
(with suffix GB)
Cl. II, Cl. III & Simultaneous Presence

UL and cUL Listed
Wet locations (UL1598),
Marine locations (UL1598A)
Type 4X, IP66

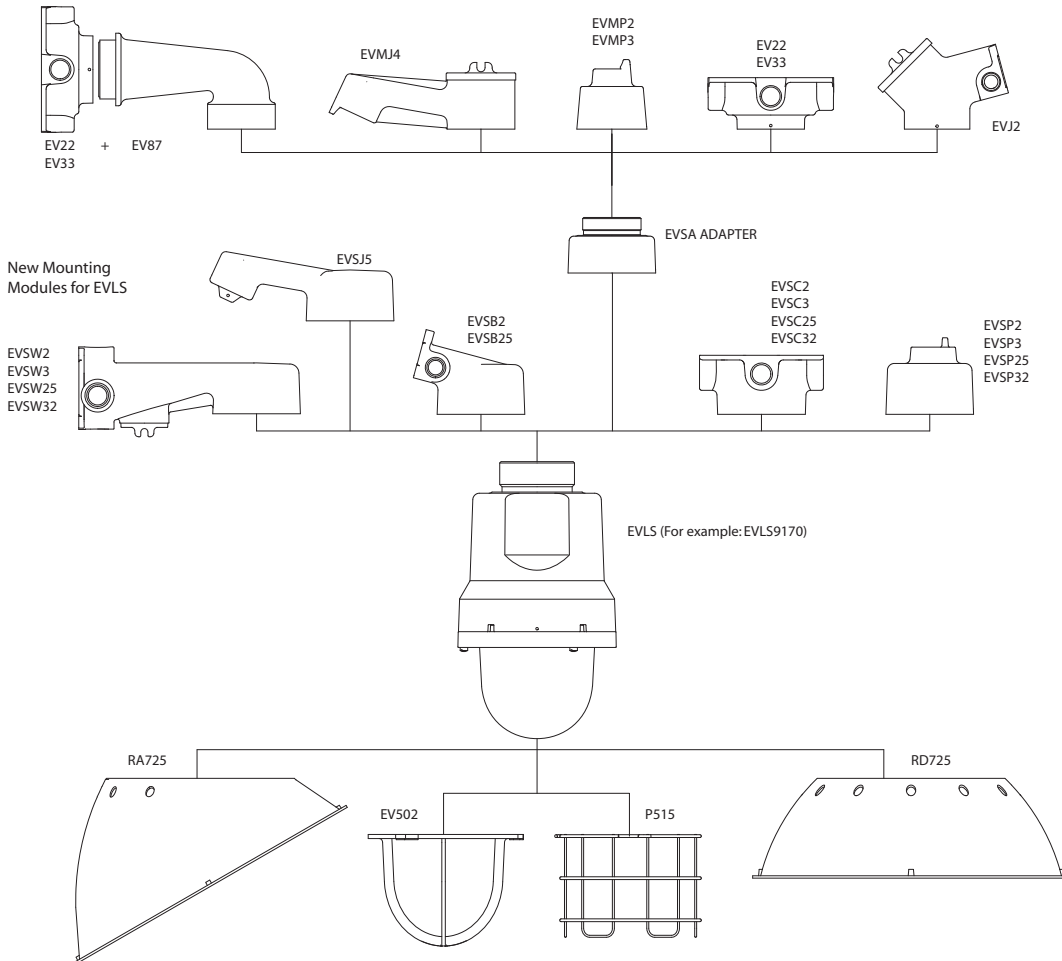
**Compact & Rugged, Class I, Zone 1,
Div. 1 Explosionproof Luminaire**

Mounting Modules:

| Existing For EVI, EVLP, EVM (must use EVSA adapter) | | | New Mounting Modules | |
|---|---------------------------|----------------|----------------------|----------------|
| Type | Conduit | Catalog Number | Conduit | Catalog Number |
| Adapter | | EVSA | | |
| Pendant | ¾" | EVMP2 | ¾" | EVSP2 |
| | 1" | EVMP3 | 1" | EVSP3 |
| | | | 25mm | EVSP25 |
| | | | 32mm | EVSP32 |
| Ceiling & Wall Box | ¾" | EV22 | ¾" | EVSC2 |
| | 1" | EV33 | 1" | EVSC3 |
| | | | 25mm | EVSC25 |
| | | | 32mm | EVSC32 |
| Wall Bracket Arm | Use EV22 or EV33 box with | EV87 | ¾" | EVSW2 |
| | | | 1" | EVSW3 |
| | | | 25mm | EVSW25 |
| | | | 32mm | EVSW32 |
| Stanchion | 1¼" | EVMJ4 | 1½" | EVSJ5 |
| Bulkhead | 1¼" | EVJ2 | ¾" | EVSB2 |
| | | | 25mm | EVSB25 |

Family Tree:

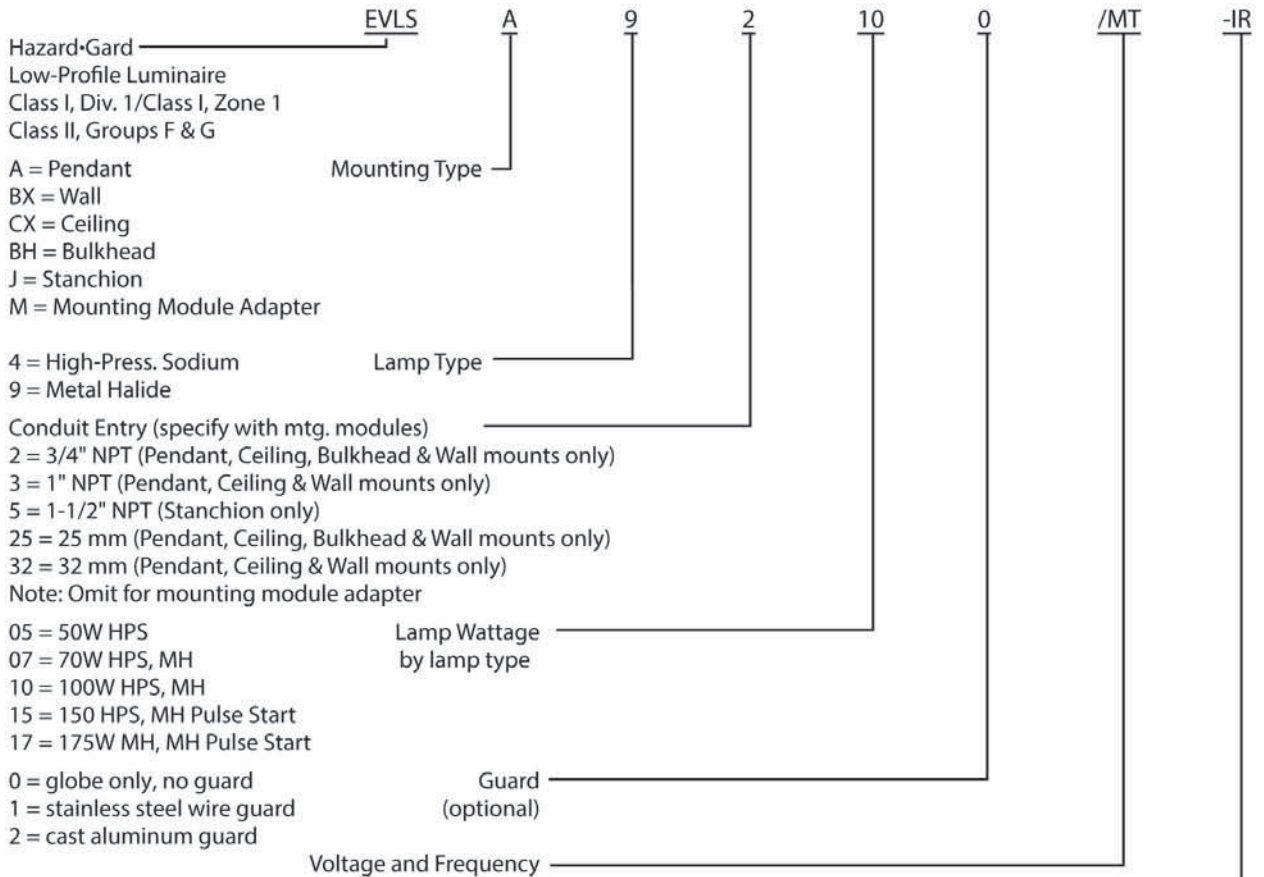
Existing Mounting
Modules used on
EVI, EVLP, EVM
(must use EVSA adapter)



4L

**Compact & Rugged, Class I, Zone 1,
Div. 1 Explosionproof Luminaire**

Ordering Reference Sheet:



| | HPS | | | | MH | | | | |
|--------|-----|----|-----|-----|----|-----|--------|-----|--------|
| | 50 | 70 | 100 | 150 | 70 | 100 | 150 PS | 175 | 175 PS |
| DT | x | | | | | | | | |
| MT | | x | x | x | x | x | x | | x |
| TT | | x | x | x | x | x | | x | x |
| 120 | x | x | x | x | x | x | x | | x |
| 208 | | x | x | x | x | x | x | | x |
| 220 | | x | x | x | x | | | | |
| 220 50 | x | x | x | x | x | x | x | | |
| 240 | | x | x | x | x | x | x | | x |
| 240 50 | x | x | x | x | x | x | x | | |
| 277 | x | x | x | x | x | x | x | | x |
| 347 | | x | x | x | x | x | | | x |
| 480 | | x | x | x | | x | | | |

BG = Ballast Guard (lamp type S only)
CWI = SCE Ballast
GB = Group B suitability
IR = Instant Restrike (lamp type S only)
S828 = Pulse Start (175W & 150W MH only)

Options

Note: BG and IR options cannot be installed together.

4L

4L EVLS Hazard•Gard®

Compact & Rugged, Class I, Zone 1, Div. 1 Explosionproof Luminaire

Cl. I, Div. 1, Groups B
(with suffix GB), C, D
Cl. I, Zone 1, Group IIB + H₂
(with suffix GB)
Cl. II, Cl. III & Simultaneous Presence

UL and cUL Listed
Wet locations (UL1598),
Marine locations (UL1598A)
Type 4X, IP66

Temperature Performance Data:

| Watts | Ambient Temp °C | Class I, Div. 1 & Zone 1 | Class II (Dust) and Class III | Supply Wire Temp °C |
|---|-----------------|-----------------------------|----------------------------------|---------------------|
| High Pressure Sodium | | | | |
| 50W | 40 | T5 | T5 | 90 |
| | 55 | T4A | — | 90 |
| | 65 | T4A | — | 105 |
| 70W | 40 | T5 | T5 | 90 |
| | 55 | T4A | — | 90 |
| | 65 | T4A | — | 105 |
| 100W | 40 | T4A | T3C | 90 |
| | 55 | T4 | — | 90 |
| | 65 | T4 | — | 105 |
| 150W | 40 | T4A | T3C | 90 |
| | 55 | T4 | — | 90 |
| Metal Halide (including Pulse Start [PS] as indicated) | | | | |
| 70W | 40 | T5 | T4A | 90 |
| | 55 | T4A | — | 90 |
| | 65 | T4A | — | 105 |
| 100W | 40 | T4A | T4 | 90 |
| | 55 | T4A | — | 90 |
| | 65 | T4 | — | 105 |
| 150 PS | 40 | T3C | — | 90 |
| 175W | 40 | T3C | — | 90 |
| 175 PS | 40 | T3C | — | 90 |

Net Luminaire Weights (lbs.):

| Luminaire Series | Lamp Watts | Weight with Globe & Wire Guard |
|----------------------------------|------------|-----------------------------------|
| High Pressure Sodium | | |
| EVLS4 | 50W | 18.5 |
| | 70W | 21.5 |
| | 100W | 22.5 |
| | 150W | 24 |
| Metal Halide | | |
| EVLS9 | 70W | 20 |
| | 100W | 20.5 |
| | 150 PS | 23 |
| | 175W | 23 |
| | 175 PS | 23 |
| Add for cast guard: | | |
| | | 1 |
| Add for mounting modules: | | |
| Pendant | | 2 |
| Ceiling | | 3.5 |
| Stanchion | | 3 |
| Bulkhead | | 2.5 |
| Wall | | 5.5 |
| Adapter | | 2 |
| Add for reflectors: | | |
| Dome | | 1.5 |
| Angle | | 2 |

EVLS Hazard•Gard®

Cl. I, Div. 1, Groups B
(with suffix GB), C, D
Cl. I, Zone 1, Group IIB + H₂ (with
suffix GB)
Cl. II, Cl. III & Simultaneous Presence

UL and cUL Listed **4L**
Wet locations (UL1598),
Marine locations (UL1598A)
Type 4X, IP66

Compact & Rugged, Class I, Zone 1, Div. 1 Explosionproof Luminaire

Ordering Information – High Pressure Sodium:



| Wattage | Hub Size | PENDANT | | | BULKHEAD | | |
|---------|----------|-------------|-------------|-------------|--------------|--------------|--------------|
| | | No Guard | Wire Guard | Cast Guard | No Guard | Wire Guard | Cast Guard |
| 50W | 3/4" | EVLSA42050 | EVLSA42051 | EVLSA42052 | EVLSBH42050 | EVLSBH42051 | EVLSBH42052 |
| | 1" | EVLSA43050 | EVLSA43051 | EVLSA43052 | | | |
| | 1 1/2" | | | | | | |
| | 25 mm | EVLSA425050 | EVLSA425051 | EVLSA425052 | EVLSBH425050 | EVLSBH425051 | EVLSBH425052 |
| 70W | 32 mm | EVLSA432050 | EVLSA432051 | EVLSA432052 | | | |
| | 3/4" | EVLSA42070 | EVLSA42071 | EVLSA42072 | EVLSBH42070 | EVLSBH42071 | EVLSBH42072 |
| | 1" | EVLSA43070 | EVLSA43071 | EVLSA43072 | | | |
| | 1 1/2" | | | | | | |
| 100W | 25 mm | EVLSA425070 | EVLSA425071 | EVLSA425072 | EVLSBH425070 | EVLSBH425071 | EVLSBH425072 |
| | 32 mm | EVLSA432070 | EVLSA432071 | EVLSA432072 | | | |
| | 3/4" | EVLSA42100 | EVLSA42101 | EVLSA42102 | EVLSBH42100 | EVLSBH42101 | EVLSBH42102 |
| | 1" | EVLSA43100 | EVLSA43101 | EVLSA43102 | | | |
| 150W | 1 1/2" | | | | | | |
| | 25 mm | EVLSA425100 | EVLSA425101 | EVLSA425102 | EVLSBH425100 | EVLSBH425101 | EVLSBH425102 |
| | 32 mm | EVLSA432100 | EVLSA432101 | EVLSA432102 | | | |
| | 3/4" | EVLSA42150 | EVLSA42151 | EVLSA42152 | EVLSBH42150 | EVLSBH42151 | EVLSBH42152 |
| 150W | 1" | EVLSA43150 | EVLSA43151 | EVLSA43152 | | | |
| | 1 1/2" | | | | | | |
| | 25 mm | EVLSA425150 | EVLSA425151 | EVLSA425152 | EVLSBH425150 | EVLSBH425151 | EVLSBH425152 |
| | 32 mm | EVLSA432150 | EVLSA432151 | EVLSA432152 | | | |

Complete
catalog
number
as follows:

Standard Voltage Ballasts

| | NEC/UL | | | CEC/CSA (cUL) | | | | | | Export | | |
|----------------|-----------|------|------|---------------|------|-------------|-------------|-------------|-------------|---------------|---------------|---------------|
| Voltage | Multi-tap | 120V | 480V | Tri-Tap | 120V | 208V CWI | 240V CWI | 480V CWI | 600V CWI | 220V 60 Hz | 220V 50 Hz | 240V 50 Hz |
| Suffix | /MT | /120 | /480 | /TT | /120 | /208CWI | /240CWI | /480CWI | /600CWI | /220 | /220 50 | /240 50 |



4L EVLS Hazard•Gard®

Cl. I, Div. 1, Groups B
(with suffix GB), C, D
Cl. I, Zone 1, Group IIB + H₂
(with suffix GB)
Cl. II, Cl. III & Simultaneous Presence

UL and cUL Listed
Wet locations (UL1598),
Marine locations (UL1598A)
Type 4X, IP66

**Compact & Rugged, Class I, Zone 1,
Div. 1 Explosionproof Luminaire**

Ordering Information – High Pressure Sodium (Cont'd):



| Wattage | Hub Size | WALL | | | CEILING | | |
|---------|----------|--------------|--------------|--------------|--------------|--------------|--------------|
| | | No Guard | Wire Guard | Cast Guard | No Guard | Wire Guard | Cast Guard |
| 50W | 3/4" | EVLSBX42050 | EVLSBX42051 | EVLSBX42052 | EVLSCX42050 | EVLSCX42051 | EVLSCX42052 |
| | 1" | EVLSBX43050 | EVLSBX43051 | EVLSBX43052 | EVLSCX43050 | EVLSCX43051 | EVLSCX43052 |
| | 1 1/2" | | | | | | |
| | 25 mm | EVLSBX425050 | EVLSBX425051 | EVLSBX425052 | EVLSCX425050 | EVLSCX425051 | EVLSCX425052 |
| | 32 mm | EVLSBX432050 | EVLSBX432051 | EVLSBX432052 | EVLSCX432050 | EVLSCX432051 | EVLSCX432052 |
| 70W | 3/4" | EVLSBX42070 | EVLSBX42071 | EVLSBX42072 | EVLSCX42070 | EVLSCX42071 | EVLSCX42072 |
| | 1" | EVLSBX43070 | EVLSBX43071 | EVLSBX43072 | EVLSCX43070 | EVLSCX43071 | EVLSCX43072 |
| | 1 1/2" | | | | | | |
| | 25 mm | EVLSBX425070 | EVLSBX425071 | EVLSBX425072 | EVLSCX425070 | EVLSCX425071 | EVLSCX425072 |
| | 32 mm | EVLSBX432070 | EVLSBX432071 | EVLSBX432072 | EVLSCX432070 | EVLSCX432071 | EVLSCX432072 |
| 100W | 3/4" | EVLSBX42100 | EVLSBX42101 | EVLSBX42102 | EVLSCX42100 | EVLSCX42101 | EVLSCX42102 |
| | 1" | EVLSBX43100 | EVLSBX43101 | EVLSBX43102 | EVLSCX43100 | EVLSCX43101 | EVLSCX43102 |
| | 1 1/2" | | | | | | |
| | 25 mm | EVLSBX425100 | EVLSBX425101 | EVLSBX425102 | EVLSCX425100 | EVLSCX425101 | EVLSCX425102 |
| | 32 mm | EVLSBX432100 | EVLSBX432101 | EVLSBX432102 | EVLSCX432100 | EVLSCX432101 | EVLSCX432102 |
| 150W | 3/4" | EVLSBX42150 | EVLSBX42151 | EVLSBX42152 | EVLSCX42150 | EVLSCX42151 | EVLSCX42152 |
| | 1" | EVLSBX43150 | EVLSBX43151 | EVLSBX43152 | EVLSCX43150 | EVLSCX43151 | EVLSCX43152 |
| | 1 1/2" | | | | | | |
| | 25 mm | EVLSBX425150 | EVLSBX425151 | EVLSBX425152 | EVLSCX425150 | EVLSCX425151 | EVLSCX425152 |
| | 32 mm | EVLSBX432150 | EVLSBX432151 | EVLSBX432152 | EVLSCX432150 | EVLSCX432151 | EVLSCX432152 |

4L

Complete catalog number as follows:

Standard Voltage Ballasts

| Voltage | NEC/UL | | | CEC/CSA (cUL) | | | | | | Export | | |
|---------|-----------|------|------|---------------|----------|----------|----------|----------|------------|------------|------------|---------|
| | Multi-tap | 120V | 480V | Tri-Tap 120V | 208V CWI | 240V CWI | 480V CWI | 600V CWI | 220V 60 Hz | 220V 50 Hz | 240V 50 Hz | |
| Suffix | /MT | /120 | /480 | /TT | /120 | /208CWI | /240CWI | /480CWI | /600CWI | /220 | /220 50 | /240 50 |

EVLS Hazard•Gard®

Cl. I, Div. 1, Groups B
(with suffix GB), C, D
Cl. I, Zone 1, Group IIB + H₂
(with suffix GB)
Cl. II, Cl. III & Simultaneous Presence

UL and cUL Listed
Wet locations (UL1598),
Marine locations (UL1598A)
Type 4X, IP66

4L

**Compact & Rugged, Class I, Zone 1,
Div. 1 Explosionproof Luminaire**

Ordering Information – High Pressure Sodium (Cont'd):



| Wattage | Hub Size | No Guard | Wire Guard | Cast Guard | No Guard | Wire Guard | Cast Guard | Luminaire less mounting module and guard |
|---------|-------------------|------------|------------|------------|-----------|------------|------------|--|
| 50W | Adapter 1 1/2" | EVLSJ45050 | EVLSJ45051 | EVLSJ45052 | EVLSM4050 | EVLSM4051 | EVLSM4052 | EVLS4050 |
| 70W | Adapter 1 1/2" | EVLSJ45070 | EVLSJ45071 | EVLSJ45072 | EVLSM4070 | EVLSM4071 | EVLSM4072 | EVLS4070 |
| 100W | Adapter 1 1/2" | EVLSJ45100 | EVLSJ45101 | EVLSJ45102 | EVLSM4100 | EVLSM4101 | EVLSM4102 | EVLS4100 |
| 150W | Adapter 1 1/2" | EVLSJ45150 | EVLSJ45151 | EVLSJ45152 | EVLSM4150 | EVLSM4151 | EVLSM4152 | EVLS4100 |

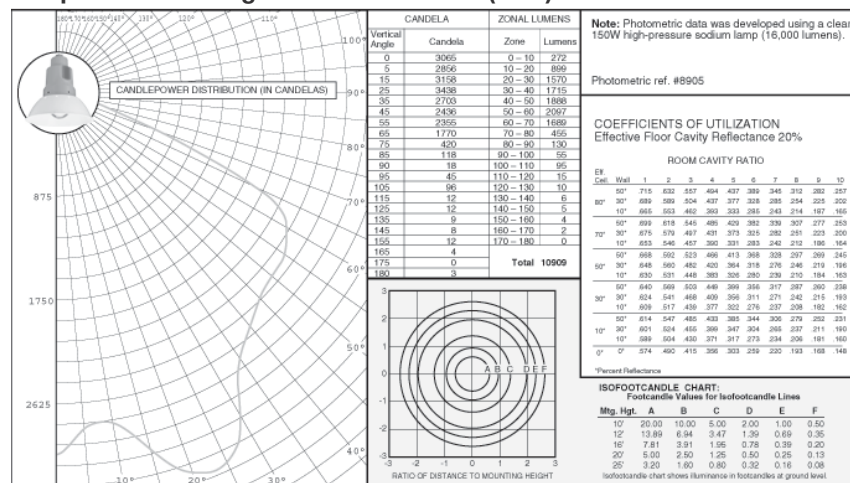
Complete catalog number as follows:

STANDARD VOLTAGE BALLASTS

| Voltage | NEC/UL | | | CEC/CSA (cUL) | | | | | | Export | | |
|---------|-----------|------|------|---------------|----------|----------|----------|----------|------------|------------|------------|---------|
| | Multi-tap | 120V | 480V | Tri-Tap 120V | 208V CWI | 240V CWI | 480V CWI | 600V CWI | 220V 60 Hz | 220V 50 Hz | 240V 50 Hz | |
| Suffix | /MT | /120 | /480 | /TT | /120 | /208CWI | /240CWI | /480CWI | /600CWI | /220 | /220 50 | /240 50 |

Photometrics - EVLS High Pressure Sodium

Fixture with Globe and Domed Reflector (less guard) EVLSA42150RD725
Lamp: 150W/B17 High Pressure Sodium (HPS)



4L

4L EVLS Hazard•Gard®

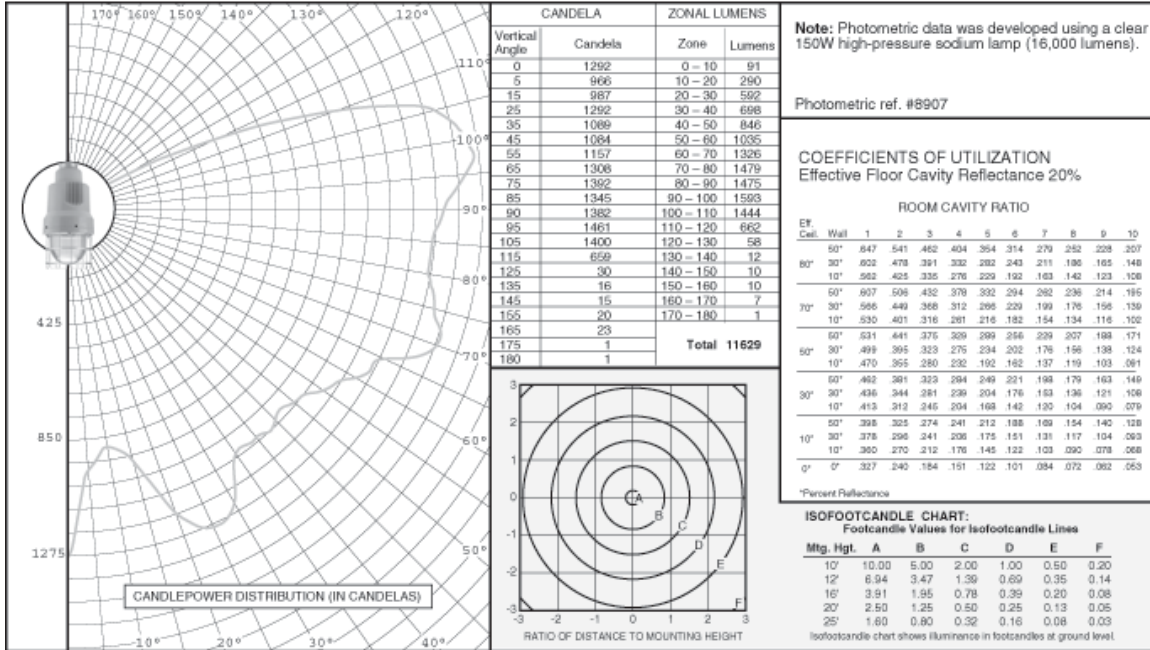
Cl. I, Div. 1, Groups B
(with suffix GB), C, D
Cl. I, Zone 1, Group IIB + H₂
(with suffix GB)
Cl. II, Cl. III & Simultaneous Presence

UL and cUL Listed
Wet locations (UL1598),
Marine locations (UL1598A)
Type 4X, IP66

**Compact & Rugged, Class I, Zone 1,
Div. 1 Explosionproof Luminaire**

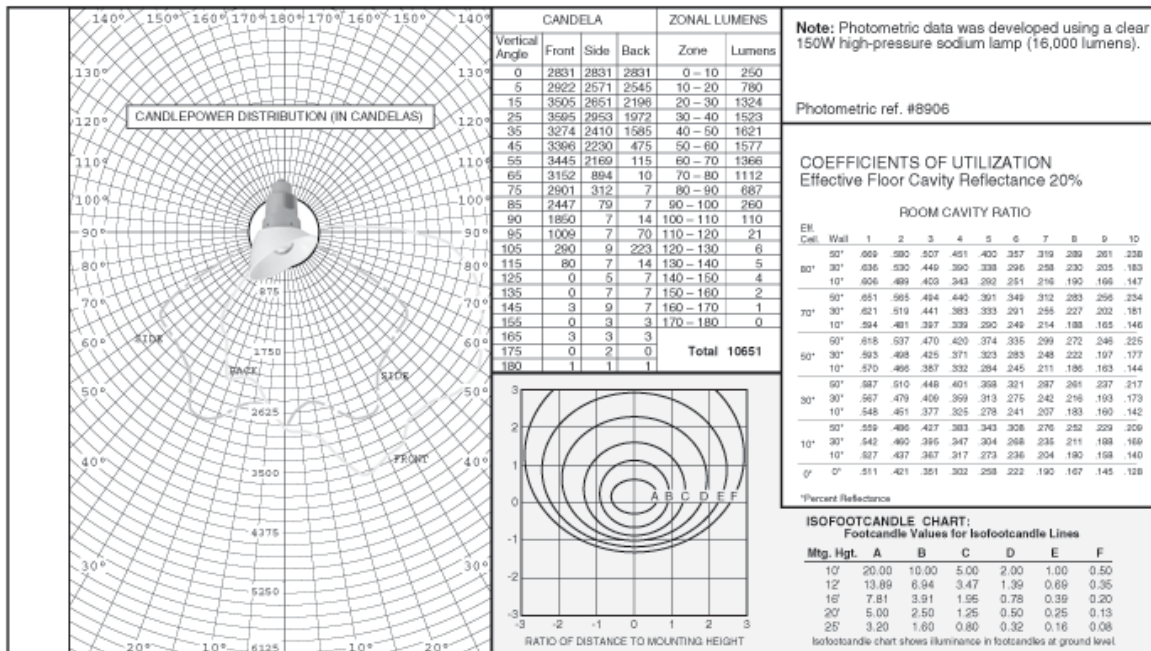
Photometrics - EVLS High Pressure Sodium:

Fixture with Globe and Guard EVLSA42151
Lamp: 150W/B17 High Pressure Sodium (HPS)



Photometrics - EVLS High Pressure Sodium:

Fixture with Globe and Angled Reflector (less guard) EVLSA42150RA725
Lamp: 150W/B17 High Pressure Sodium (HPS)



EVLS Hazard•Gard®

Cl. I, Div. 1, Groups B
(with suffix GB), C, D
Cl. I, Zone 1, Group IIB + H₂
(with suffix GB)
Cl. II, Cl. III & Simultaneous Presence

UL and cUL Listed
Wet locations (UL1598),
Marine locations (UL1598A)
Type 4X, IP66

4L

Compact & Rugged, Class I, Zone 1, Div. 1 Explosionproof Luminaire

Ordering Information — Pulse Start Metal Halide:



| Wattage | Hub Size | PENDANT | | | BULKHEAD | | |
|---------|----------|------------------|------------------|------------------|-------------------|-------------------|-------------------|
| | | No Guard | Wire Guard | Cast Guard | No Guard | Wire Guard | Cast Guard |
| 150W | 3/4" | EVLSA92150-S828 | EVLSA92151-S828 | EVLSA92152-S828 | EVLSBH92150-S828 | EVLSBH92151-S828 | EVLSBH92152-S828 |
| | 1" | EVLSA93150-S828 | EVLSA93151-S828 | EVLSA93152-S828 | | | |
| | 1 1/2" | | | | | | |
| | 25 mm | EVLSA925150-S828 | EVLSA925151-S828 | EVLSA925152-S828 | EVLSBH925150-S828 | EVLSBH925151-S828 | EVLSBH925152-S828 |
| 175W | 32 mm | EVLSA932150-S828 | EVLSA932151-S828 | EVLSA932152-S828 | | | |
| | 3/4" | EVLSA92170-S828 | EVLSA92171-S828 | EVLSA92172-S828 | EVLSBH92170-S828 | EVLSBH92171-S828 | EVLSBH92172-S828 |
| | 1" | EVLSA93170-S828 | EVLSA93171-S828 | EVLSA93172-S828 | | | |
| | 1 1/2" | | | | | | |
| 175W | 25 mm | EVLSA925170-S828 | EVLSA925171-S828 | EVLSA925172-S828 | EVLSBH925170-S828 | EVLSBH925171-S828 | EVLSBH925172-S828 |
| | 32 mm | EVLSA932170-S828 | EVLSA932171-S828 | EVLSA932172-S828 | | | |

Ordering Information — Pulse Start Metal Halide:



| Wattage | Hub Size | WALL | | | CEILING | | |
|---------|----------|-------------------|-------------------|-------------------|-------------------|-------------------|-------------------|
| | | No Guard | Wire Guard | Cast Guard | No Guard | Wire Guard | Cast Guard |
| 150W | 3/4" | EVLSBX92150-S828 | EVLSBX92151-S828 | EVLSBX92152-S828 | EVLSXC92150-S828 | EVLSXC92151-S828 | EVLSXC92152-S828 |
| | 1" | EVLSBX93150-S828 | EVLSBX93151-S828 | EVLSBX93152-S828 | EVLSXC93150-S828 | EVLSXC93151-S828 | EVLSXC93152-S828 |
| | 1 1/2" | | | | | | |
| | 25 mm | EVLSBX925150-S828 | EVLSBX925151-S828 | EVLSBX925152-S828 | EVLSXC925150-S828 | EVLSXC925151-S828 | EVLSXC925152-S828 |
| 175W | 32 mm | EVLSBX932150-S828 | EVLSBX932151-S828 | EVLSBX932152-S828 | EVLSXC932150-S828 | EVLSXC932151-S828 | EVLSXC932152-S828 |
| | 3/4" | EVLSBX92170-S828 | EVLSBX92171-S828 | EVLSBX92172-S828 | EVLSXC92170-S828 | EVLSXC92171-S828 | EVLSXC92172-S828 |
| | 1" | EVLSBX93170-S828 | EVLSBX93171-S828 | EVLSBX93172-S828 | EVLSXC93170-S828 | EVLSXC93171-S828 | EVLSXC93172-S828 |
| | 1 1/2" | | | | | | |
| 175W | 25 mm | EVLSBX925170-S828 | EVLSBX925171-S828 | EVLSBX925172-S828 | EVLSXC925170-S828 | EVLSXC925171-S828 | EVLSXC925172-S828 |
| | 32 mm | EVLSBX932170-S828 | EVLSBX932171-S828 | EVLSBX932172-S828 | EVLSXC932170-S828 | EVLSXC932171-S828 | EVLSXC932172-S828 |

4L

4L EVLS Hazard•Gard®

**Compact & Rugged, Class I, Zone 1,
Div. 1 Explosionproof Luminaire**

Cl. I, Div. 1, Groups B
(with suffix GB), C, D
Cl. I, Zone 1, Group IIB + H₂
(with suffix GB)
Cl. II, Cl. III & Simultaneous Presence

UL and cUL Listed
Wet locations (UL1598),
Marine locations (UL1598A)
Type 4X, IP66

Ordering Information — Pulse Start Metal Halide (Cont'd):



STANCHION

ADAPTER

| Wattage | Hub Size | STANCHION | | | ADAPTER | | | Luminaire less mounting module and guard |
|---------|----------|-----------------|-----------------|-----------------|----------------|----------------|----------------|--|
| | | No Guard | Wire Guard | Cast Guard | No Guard | Wire Guard | Cast Guard | |
| 150W | Adapter | | | | EVLSM9150-S828 | EVLSM9151-S828 | EVLSM9152-S828 | EVLS9150-S828 |
| | 3/4" | | | | | | | |
| | 1" | | | | | | | |
| | 1 1/2" | EVLSJ95150-S828 | EVLSJ95151-S828 | EVLSJ95152-S828 | | | | |
| | 25 mm | | | | | | | |
| | 32 mm | | | | | | | |
| 175W | Adapter | | | | EVLSM9170-S828 | EVLSM9171-S828 | EVLSM9172-S828 | EVLS9100-S828 |
| | 3/4" | | | | | | | EVLS9170-S828 |
| | 1" | | | | | | | |
| | 1 1/2" | EVLSJ95170-S828 | EVLSJ95171-S828 | EVLSJ95172-S828 | | | | |
| | 25 mm | | | | | | | |
| | 32 mm | | | | | | | |

| | | | | |
|----|-------------------------------------|---------------------------|------|------|
| 4L | Complete catalog number as follows: | Standard Voltage Ballasts | | |
| | | NEC/UL | | |
| | Voltage | Multi-tap | 120V | 480V |
| | Suffix | /MT | /120 | /480 |

EVLS Hazard•Gard®

Cl. I, Div. 1, Groups B
(with suffix GB), C, D
Cl. I, Zone 1, Group IIB + H₂
(with suffix GB)
Cl. II, Cl. III & Simultaneous Presence

UL and cUL Listed
Wet locations (UL1598),
Marine locations (UL1598A)
Type 4X, IP66

4L

Compact & Rugged, Class I, Zone 1, Div. 1 Explosionproof Luminaire

Ordering Information — Metal Halide:



| Wattage | Hub Size | PENDANT | | | BULKHEAD | | |
|---------|----------|-------------|-------------|-------------|--------------|--------------|--------------|
| | | No Guard | Wire Guard | Cast Guard | No Guard | Wire Guard | Cast Guard |
| 70W | 3/4" | EVLSA92070 | EVLSA92071 | EVLSA92072 | EVLSBH92070 | EVLSBH92071 | EVLSBH92072 |
| | 1" | EVLSA93070 | EVLSA93071 | EVLSA93072 | | | |
| | 1 1/2" | | | | | | |
| | 25 mm | EVLSA925070 | EVLSA925071 | EVLSA925072 | EVLSBH925070 | EVLSBH925071 | EVLSBH925072 |
| 100W | 32 mm | EVLSA932070 | EVLSA932071 | EVLSA932072 | | | |
| | 3/4" | EVLSA92100 | EVLSA92101 | EVLSA92102 | EVLSBH92100 | EVLSBH92101 | EVLSBH92102 |
| | 1" | EVLSA93100 | EVLSA93101 | EVLSA93102 | | | |
| | 1 1/2" | | | | | | |
| | 25 mm | EVLSA925100 | EVLSA925101 | EVLSA925102 | EVLSBH925100 | EVLSBH925101 | EVLSBH925102 |
| | 32 mm | EVLSA932100 | EVLSA932101 | EVLSA932102 | | | |
| | 3/4" | EVLSA92170 | EVLSA92171 | EVLSA92172 | EVLSBH92170 | EVLSBH92171 | EVLSBH92172 |
| | 1" | EVLSA93170 | EVLSA93171 | EVLSA93172 | | | |
| 175W† | 1 1/2" | | | | | | |
| | 25 mm | EVLSA925170 | EVLSA925171 | EVLSA925172 | EVLSBH925170 | EVLSBH925171 | EVLSBH925172 |
| | 32 mm | EVLSA932170 | EVLSA932171 | EVLSA932172 | | | |

†Export only.

Complete
catalog
number
as follows:

Standard Voltage Ballasts

| | NEC/UL | | | | CEC/CSA (cUL) | | | | Export | | | | |
|----------------|-----------|------|------|---------|---------------|-------------|-------------|-------------|-------------|---------------|---------------|----------------|---------------|
| Voltage | Multi-tap | 120V | 480V | Tri-Tap | 120V | 208V CWI | 240V CWI | 480V CWI | 600V CWI | 220V 60 Hz | 220V 50 Hz | 230V* 50 Hz | 240V 50 Hz |
| Suffix | /MT | /120 | /480 | /TT | /120 | /208CWI | /240CWI | /480CWI | /600CWI | /220 | /220 50 | /230 50 | /240 50 |

*Available for 175W only.

4L

4L

EVLS Hazard•Gard®

Cl. I, Div. 1, Group B
(with suffix GB), C, D
Cl. I, Zone 1, Group IIB + H₂
(with suffix GB)
Cl. II, Cl. III &
Simultaneous Presence

UL and cUL Listed
Wet locations (UL1598)
Marine locations (UL1598A)
Type 4X, IP66

**Compact & Rugged, Class I, Zone 1,
Div. 1 Explosionproof Luminaire**

Ordering Information – Metal Halide (Cont'd):



WALL

CEILING

| Wattage | Hub Size | WALL | | | CEILING | | |
|---------|----------|--------------|--------------|--------------|--------------|--------------|--------------|
| | | No Guard | Wire Guard | Cast Guard | No Guard | Wire Guard | Cast Guard |
| 70W | 3/4" | EVLSBX92070 | EVLSBX92071 | EVLSBX92072 | EVLSCX92070 | EVLSCX92071 | EVLSCX92072 |
| | 1" | EVLSBX93070 | EVLSBX93071 | EVLSBX93072 | EVLSCX93070 | EVLSCX93071 | EVLSCX93072 |
| | 1 1/2" | | | | | | |
| | 25 mm | EVLSBX925070 | EVLSBX925071 | EVLSBX925072 | EVLSCX925070 | EVLSCX925071 | EVLSCX925072 |
| | 32 mm | EVLSBX932070 | EVLSBX932071 | EVLSBX932072 | EVLSCX932070 | EVLSCX932071 | EVLSCX932072 |
| 100W | 3/4" | EVLSBX92100 | EVLSBX92101 | EVLSBX92102 | EVLSCX92100 | EVLSCX92101 | EVLSCX92102 |
| | 1" | EVLSBX93100 | EVLSBX93101 | EVLSBX93102 | EVLSCX93100 | EVLSCX93101 | EVLSCX93102 |
| | 1 1/2" | | | | | | |
| | 25 mm | EVLSBX925100 | EVLSBX925101 | EVLSBX925102 | EVLSCX925100 | EVLSCX925101 | EVLSCX925102 |
| | 32 mm | EVLSBX932100 | EVLSBX932101 | EVLSBX932102 | EVLSCX932100 | EVLSCX932101 | EVLSCX932102 |
| 175W† | 3/4" | EVLSBX92170 | EVLSBX92171 | EVLSBX92172 | EVLSCX92170 | EVLSCX92171 | EVLSCX92172 |
| | 1" | EVLSBX93170 | EVLSBX93171 | EVLSBX93172 | EVLSCX93170 | EVLSCX93171 | EVLSCX93172 |
| | 1 1/2" | | | | | | |
| | 25 mm | EVLSBX925170 | EVLSBX925171 | EVLSBX925172 | EVLSCX925170 | EVLSCX925171 | EVLSCX925172 |
| | 32 mm | EVLSBX932170 | EVLSBX932171 | EVLSBX932172 | EVLSCX932170 | EVLSCX932171 | EVLSCX932172 |

†Export only.

Complete catalog number as follows:

Standard Voltage Ballasts

| Voltage | NEC/UL | | | CEC/CSA (cUL) | | | | | Export | | | | |
|---------|-----------|------|------|---------------|----------|----------|----------|----------|------------|------------|-------------|------------|---------|
| | Multi-tap | 120V | 480V | 120V | 208V CWI | 240V CWI | 480V CWI | 600V CWI | 220V 60 Hz | 220V 50 Hz | 230V* 50 Hz | 240V 50 Hz | |
| Suffix | /MT | /120 | /480 | /TT | /120 | /208CWI | /240CWI | /480CWI | /600CWI | /220 | /220 50 | /230 50 | /240 50 |

*Available for 175W only.

4L

**Compact & Rugged, Class I, Zone 1,
Div. 1 Explosionproof Luminaire**

Ordering Information — Metal Halide (Cont'd):



STANCHION

ADAPTER

| Wattage | Hub Size | No Guard | Wire Guard | Cast Guard | No Guard | Wire Guard | Cast Guard | Luminaire less mounting module and guard |
|---------|---------------------------|------------|------------|------------|-----------|------------|------------|--|
| 70W | Adapter 1 1/2" | EVLSJ95070 | EVLSJ95071 | EVLSJ95072 | EVLSM9070 | EVLSM9071 | EVLSM9072 | EVLS9070 |
| 100W | Adapter 1 1/2" | EVLSJ95100 | EVLSJ95101 | EVLSJ95102 | EVLSM9100 | EVLSM9101 | EVLSM9102 | EVLS9100 |
| 175W† | Adapter 3/4" 1 1/2" | EVLSJ95170 | EVLSJ95171 | EVLSJ95172 | EVLSM9170 | EVLSM9171 | EVLSM9172 | EVLS9100 EVLS9170 |

†Export only.

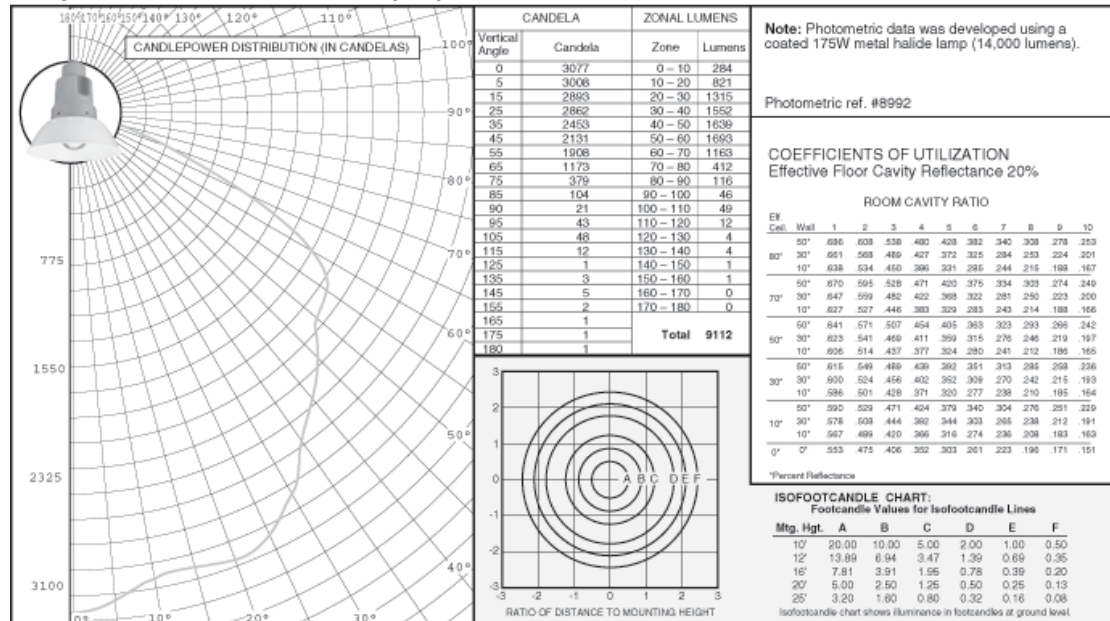
Complete catalog number as follows:

| Voltage | Standard Voltage Ballasts | | | | CEC/CSA (cUL) | | | | Export | | | | |
|-----------|---------------------------|------|---------|------|---------------|----------|----------|----------|------------|------------|-------------|------------|---------|
| | NEC/UL | | | | CEC/CSA (cUL) | | | | Export | | | | |
| Multi-tap | 120V | 480V | Tri-Tap | 120V | 208V CWI | 240V CWI | 480V CWI | 600V CWI | 220V 60 Hz | 220V 50 Hz | 230V* 50 Hz | 240V 50 Hz | |
| Suffix | /MT | /120 | /480 | /TT | /120 | /208CWI | /240CWI | /480CWI | /600CWI | /220 | /220 50 | /230 50 | /240 50 |

*Available for 175W only.

EVLS Metal Halide:

**Fixture with Globe and Domed Reflector (less guard) EVLSA92170RD725
Lamp: 150W/ED17 Metal Halide (MH)**



4L

4L EVLS Hazard•Gard®

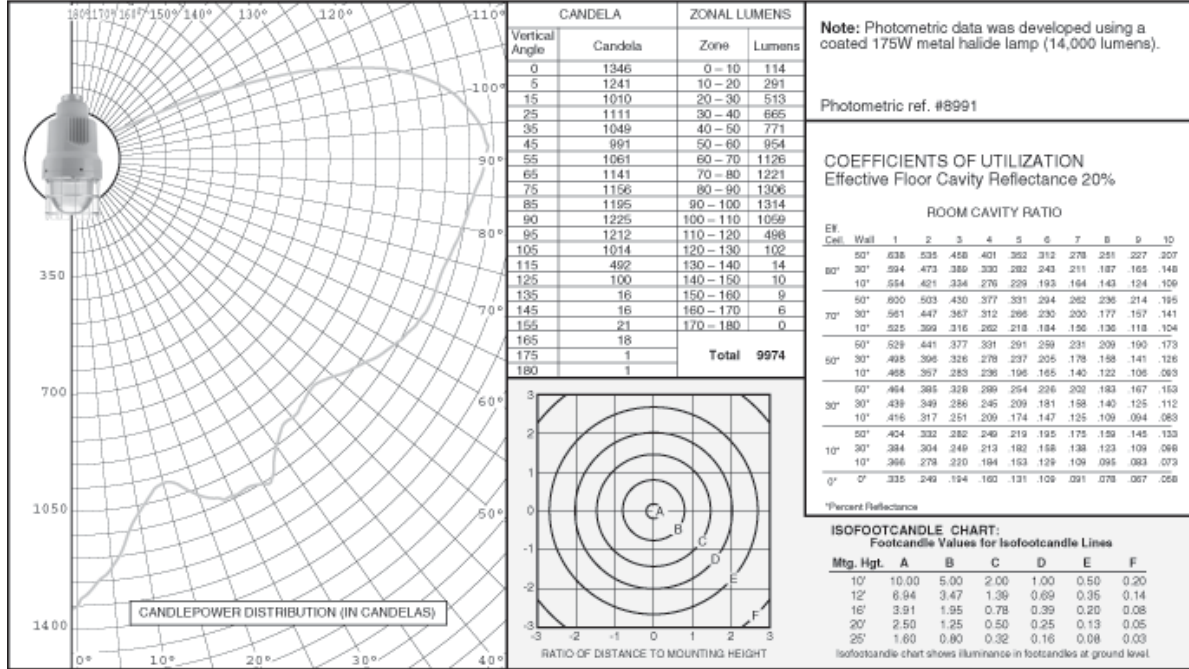
Cl. I, Div. 1, Group B
(with suffix GB), C, D
Cl. I, Zone 1, Group IIB + H₂
(with suffix GB)
Cl. II, Cl. III &
Simultaneous Presence

UL and cUL Listed
Wet locations (UL1598)
Marine locations (UL1598A)
Type 4X, IP66

**Compact & Rugged, Class I, Zone 1,
Div. 1 Explosionproof Luminaire**

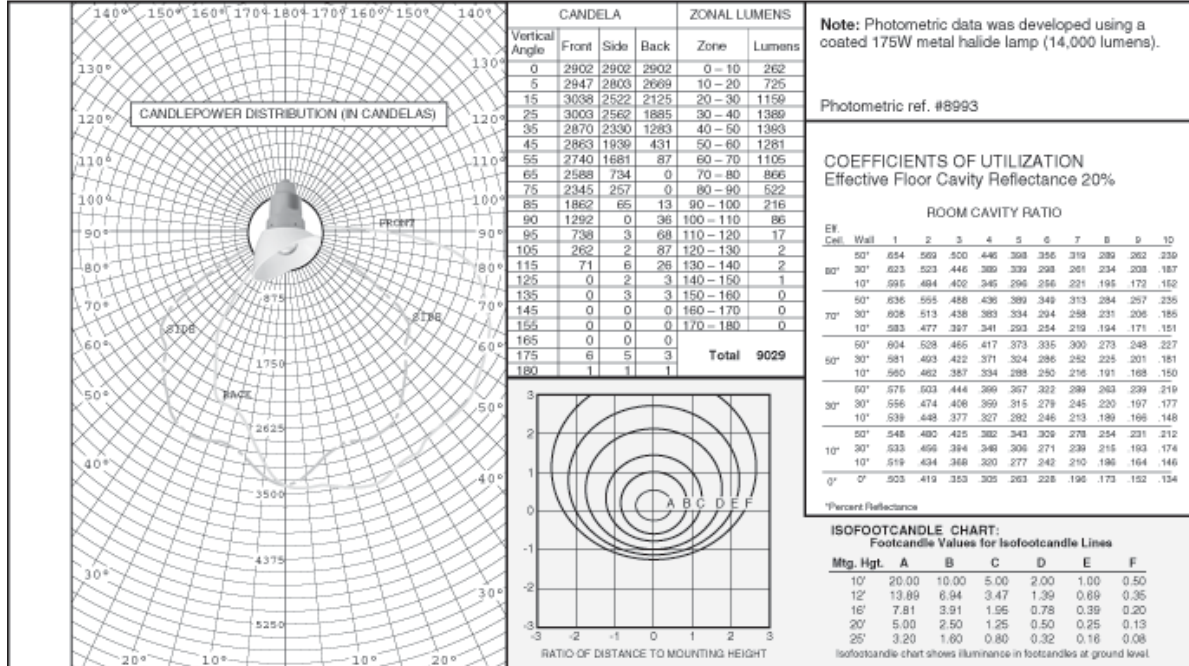
EVLS Metal Halide:

Fixture with Globe and Guard EVLSA92171
Lamp: 175W/ED17 Metal Halide (MH)



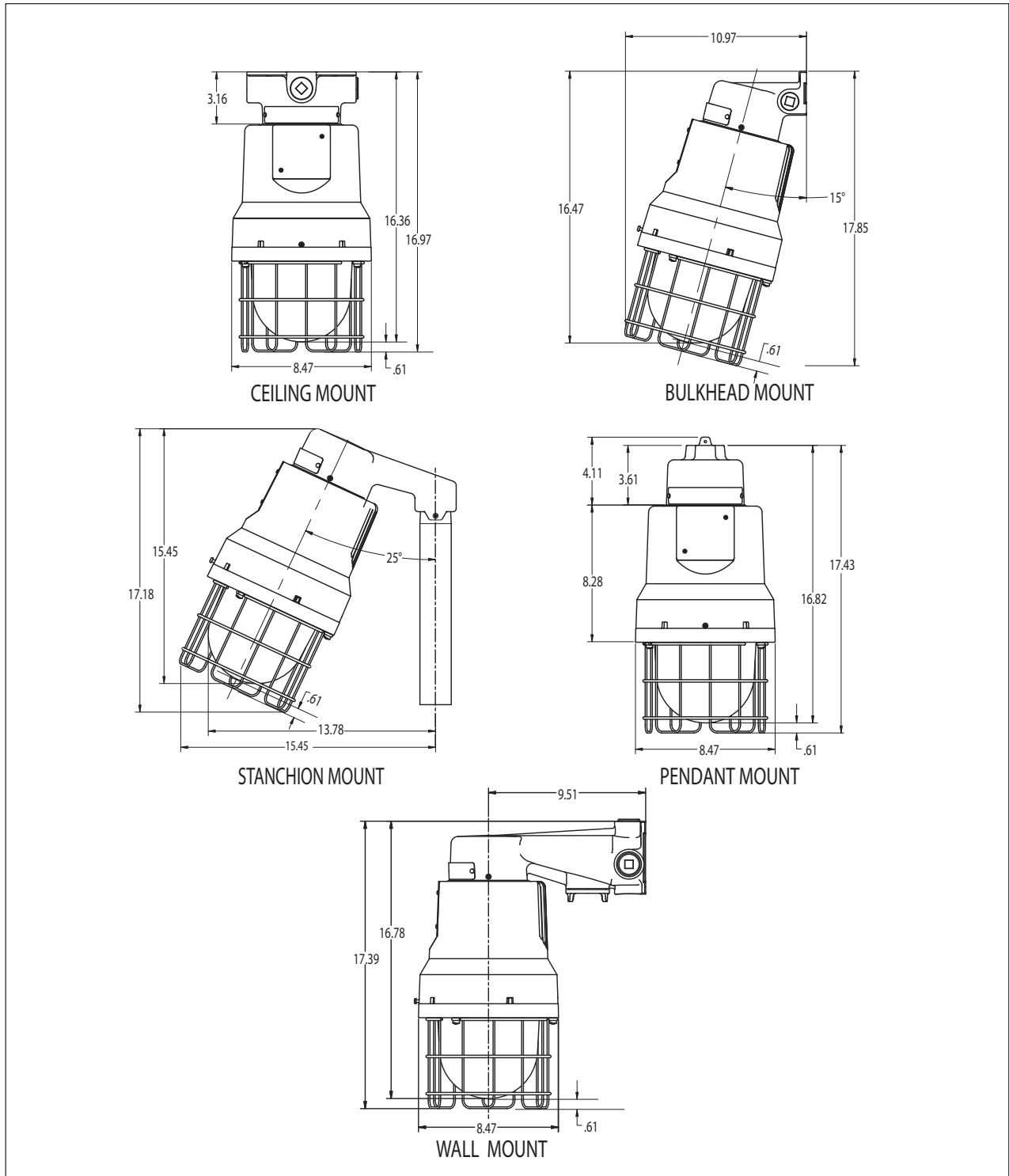
EVLS Metal Halide:

Fixture with Globe and Angled Reflector (less guard) EVLSA92170RA725
Lamp: 175W/ED17 Metal Halide (MH)



**Compact & Rugged, Class I, Zone 1,
Div. 1 Explosionproof Luminaire**

Dimensions - Shown with new mounting modules:



4L

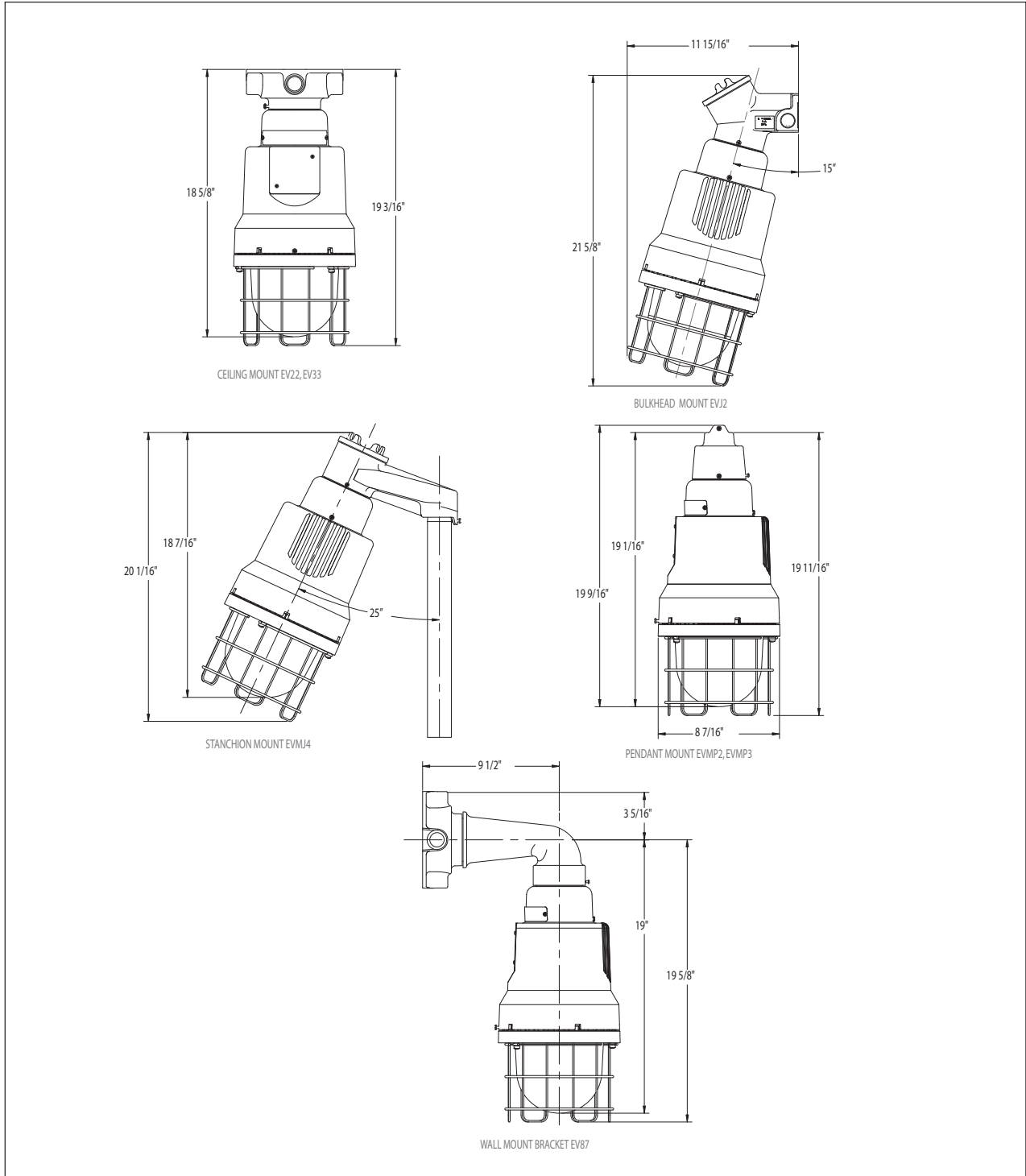
4L EVLS Hazard•Gard®

Compact & Rugged, Class I, Zone 1,
Div. 1 Explosionproof Luminaire

Cl. I, Div. 1, Group B
(with suffix GB), C, D
Cl. I, Zone 1, Group IIB + H₂
(with suffix GB)
Cl. II, Cl. III &
Simultaneous Presence

UL and cUL Listed
Wet locations (UL1598)
Marine locations (UL1598A)
Type 4X, IP66

Dimensions - Shown with existing mounting modules plus EVSA Adapter:



4L