

# 7L FHM Power Hook Luminaire Hangers

## For Pendant Luminaires

### Features:

- For mounting H.I.D. type luminaires in non-hazardous locations
- Power hook housing has two  $\frac{3}{4}$ " through-feed hubs and one  $\frac{3}{4}$ " hub on the top for pendant mounting; through-feed hubs are furnished with flush plugs
- Cast mounting lugs are provided for direct ceiling mounting
- Housing contains a roomy 15 cu. in. splicing chamber and interlocking type receptacle with leads
- Plugs and receptacles are interlocking type to prevent accidental disengagement; when plug is inserted, hook is blocked and luminaire assembly cannot be removed; to service the luminaire, pull the plug, unhook the loop luminaire assembly, and take it to a convenient servicing area
- Loop can move a maximum of 30°, allowing the power hook to be mounted on a canted ceiling; the luminaire assembly will hang true to the vertical
- Loop and hook are shaped for self-alignment and resist twisting of luminaire by gusts of wind or light drafts
- Supporting loop is furnished with 16" of #16-3/C type SO cord and an interlocking type plug

### Certifications and Compliances:

- Meet UL and NEMA requirements for the listed electrical ratings

### Standard Materials:

- Power hook body – copper-free aluminum
- Access cover – zinc plated cold rolled steel
- Loop – copper-free aluminum

### Standard Finishes:

- Copper-free aluminum – natural finish
- Steel – electrogalvanized with chromate finish

### Size Ranges:

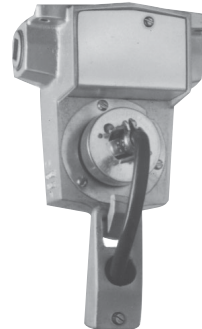
- Hubs –  $\frac{3}{4}$ "
- Luminaire weights: loop – up to 125 lbs.
- Loop luminaire stem size –  $\frac{3}{4}$ "

### Electrical Rating Ranges:

- 480 volts, 14 amps, 2 wire, 3 pole

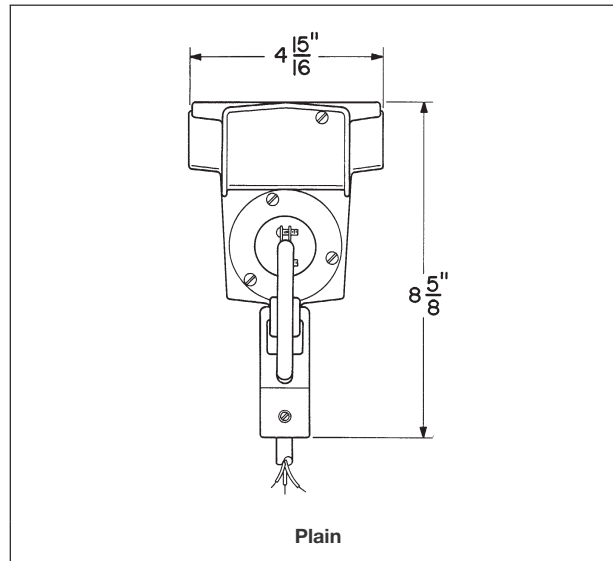
### FHM For H.I.D. Type Luminaires with Voltages up to 480 Volts

Loop	Hubs*	Luminaire Stem*	Luminaire Weight (Lbs.)	Cat. #
Plain	$\frac{3}{4}$	$\frac{3}{4}$	125	FHM201



Plain

### Dimensions In Inches:



Plain

\*1/2" connection can be obtained by using reducers.