

6L Champ® Voyager nR™ Stainless Steel Floodlight

Cl. I, Div. 2, Groups A, B, C, D
Cl. I, Zone 2, AEx nR II, Group IIC
IEC Zone 2, Ex nR II ATEX

Marine locations
Wet locations

Eaton's Crouse-Hinds Champ® Voyager nR™ Stainless Steel Floodlight offers the industry's coolest temperature ratings—so it can operate below the ignition temperature of vapors and gases in your classified area. The Champ Voyager nR Floodlight boasts a wide, powerful beam to deliver more light to your process or pathway. Standard terminal blocks and a removable ballast component tray bring you the best combination of easy wiring and simple maintenance in one rugged package.

Applications:

This unique combination of features makes the Champ Voyager nR Floodlight ideal for outdoor, marine, corrosive, and high temperature locations.

And because the Champ Voyager nR Floodlight meets international standards, you can install it anywhere in the world.

Features and Benefits:

- AEx nR, Ex nR restricted breathing rating is standard—a hazardous location luminaire with excellent T3 and T4 ratings without additional accessories or options
- NEMA 7x6 "butterfly beam" floodlight pattern—wide, uniform and far reaching to reduce the number of luminaires you need, providing excellent luminaire efficiency—more light where you need it
- Easy wiring—standard terminal block with marked terminals saves time and eliminates wiring errors
- Removable ballast component tray—for capacitor, igniter and terminal block to simplify maintenance and save money
- Housing, hinges, door frame and mounting yoke are all 316 stainless steel for marine and wet locations—robust construction suitable for saltwater and corrosive applications

Certifications & Compliances:

NEC/CEC (NEC Ballast Gear and Socket):

- Class I, Division 2, Groups A, B, C, D
- Class I, Zone 2, AEx nR II, Group IIC
- NEMA Type 4X and IP66

IEC (IEC Ballast Gear and Socket):

- IEC Zone 2, Ex nR II ATEX

UL/cUL Standards:

- 844—Hazardous (Divisions Classified) Locations
- 1598—Luminaires Marine Locations
- 1598A—Supplemental Requirements for Luminaires for Installation on Marine Vessels

Standard Materials:

- Enclosure (housing and lens frame)—316 stainless steel
- Lens—heat- and impact-resistant tempered glass
- Gaskets—silicone rubber
- Yoke and yoke bracket—316 stainless steel
- Reflector—formed specular (dimpled glossy surface) aluminum
- Cable gland cord grip and locknut—polyamide 6, neoprene bushing

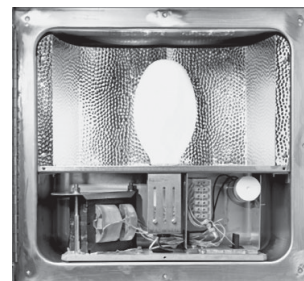
Standard Finishes:

- 316 stainless steel—natural

Photometrics are available online.



Now available with IEC gear and certified to the IECEx/ATEX Directive. The only mogul base Class I, Division 2 and Zone 2 stainless steel floodlight with restricted breathing (vapor-tight design) as standard construction.



Industry Best for Ease of Installation:

1. Removable ballast tray
2. Prewired to terminal blocks
3. Substantial room for wiring

Ratings (Electrical/Size):

Sources/Wattages (Mogul Base Lamps)

- High Pressure Sodium (HPS) 150, 250, and 400W
- Metal Halide (MH) 175, 250, and 400W

Voltages:

Standard Voltage Ballasts

- Multi-tap (120, 208, 240, and 277V 60Hz)
- 480V, 60Hz
- Tri-tap (120, 277, 347V 60Hz)

Optional Voltage Ballasts (for export)

- 220V or 240V, 50Hz
- 220V, 60Hz

Isolated Ballasts

- 208, 240, or 480V (for Canada)

Hub Size:

- Standard: 3/4" NPT with a 3/4" gland sealing connector

Crouse-Hinds
by **F.T.N**

Champ® Voyager nR™ Stainless Steel Floodlight

Cl. I, Div. 2, Groups A, B, C, D
Cl. I, Zone 2, AEx nR II, Group IIC
IEC Zone 2, Ex nR II ATEX

Marine locations
Wet locations

6L

Ordering Information for Floodlight with IEC Ballast:

Lamp Type	IEC Ref.	Watts	Catalog Number*
HPS	HSE/HST	150	NSSFMVSY150/220
		250	NSSFMVSY250/220
		400	NSSFMVSY400/220
MH	HIE	150	NSSFMVMY150/220
		250	NSSFMVMY250/220
		400	NSSFMVMY400/220

*Uses IEC lamp socket E40.

NSSFMV Floodlights are designed with IEC ballast gear and lamp socket, providing certification to the IEC Ex ATEX Directive.

Ordering Information for Floodlight with NEC Ballast:

Lamp Type	Watts	Catalog Number*
High	150	SSFMVSY150__76
Pressure	250	SSFMVSY250__76
Sodium	400	SSFMVSY400__76
Metal Halide	175	SSFMVMY175__76
	250	SSFMVMY250__76
	400	SSFMVMY400__76

Voltage Suffixes:

Voltage	Suffix	Voltage	Suffix
Tri-Tap (120, 277, 347V, 60Hz)	/TT	220 50Hz	/220 50
Multi-Tap 120, 208, 240, 277V, 60Hz)	/MT	220 60Hz	/220
480V, 60Hz	/480	240 50Hz	/240 50
240V, 60Hz	/MV	240 60Hz	/240 60

*To complete catalog number, add voltage and options suffix(es)
Example: SSFMVSY150/MT 76.

Temperature Performance Data:

Catalog Series	Lamp		40°C Ambient			55°C Ambient			Fixture Aiming	
			Temperature Code			Temperature Code				
	Type	Watts	Class I, Zone 2	Class I, Div. 2	Supply Wire °C	Class I, Zone 2	Class I, Div. 2	Supply Wire °C	Range	Figure
SSFMVSY	High	150**	T4	T2B	90	T4	T2B	105	120°	2
	Pressure	250**	T4	350	90	T3	350	105	90°	1
	Sodium	400	T3	T1	90	-	-	-	90°	1
SSFMVMY	Metal Halide	175**	T3	T2	90	T3	T2	105	120°	2
		250**	T3	325	90	T3	325	105	90°	1
		400	T3	325	105	-	-	-	90°	1

**Suitable for use in 55°C ambient without optional fuses.
For U.S. market, use MH Pulse Start option.

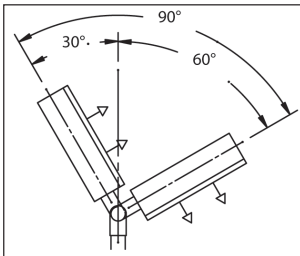


FIGURE 1

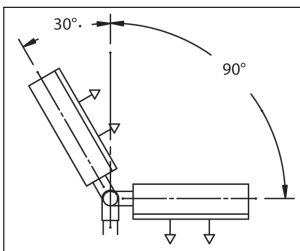


FIGURE 2

Accessories (Order Separately):

Stainless steel slipfitter adapter.....	SFA6 SS
Stainless steel wall mount bracket.....	SWB6 SS
Standard slipfitter adapter (cast aluminum).....	SFA6
Standard wall mount bracket (cast aluminum).....	SWB6
Photocell in DS cover for use with FS/FD box: 120V, 50/60Hz.....	D2S20
208-277V, 50/60Hz.....	D2S208 277

Photometrics are available online.

Crouse-Hinds
by **E.T.N**

6L Champ® Voyager nR™ Stainless Steel Floodlight

Cl. I, Div. 2, Groups A, B, C, D
Cl. I, Zone 2, AEx nR II, Group IIC
IEC Zone 2, Ex nR II ATEX

Marine locations
Wet locations

Effective Projected Area (EPA):

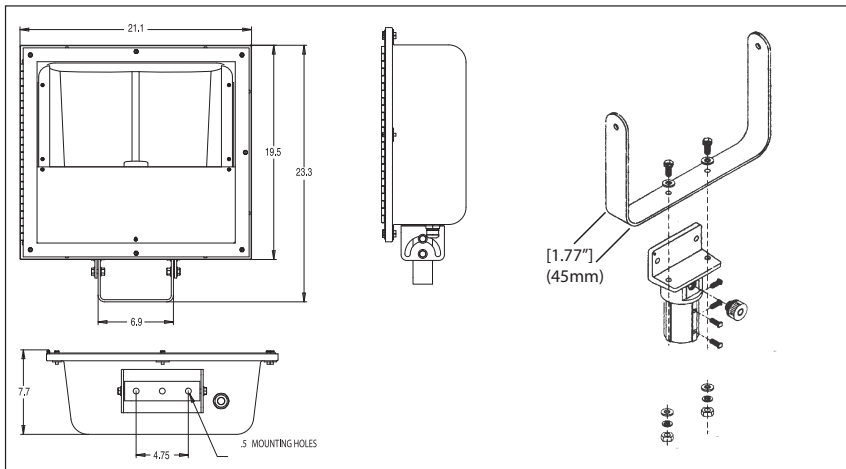
- For windloading
- For proper pole selection

Aiming Angle	EPA
0°	2.15 FT ²
30°	1.86 FT ²
60°	1.07 FT ²

Weights and Dimensions:

Net Fixture Weights (Lbs.)

Luminaire	HPS	MH
150W	39	39
175W	39	39
250W	43	41
400W	45	43



6L

Options:

Description

Instant Restrike and Ballast Guard

Instant Restrike—enables a hot HPS lamp to immediately restrike after a momentary loss of arc due to voltage fluctuation or power outage

Ballast guard starter cut out switch—prevents starter pulsing when lamp is cycling or inoperative; prolongs ballast and ignitor life.....

- 150W LX HPS only

Factory assembled with HID lamp installed.....

Fused (not suitable for marine applications).....

20mm metric thread for conduit opening.....

25mm metric thread for conduit opening.....

3/4" NPT hub conduit opening.....

Furnished with lamps (not installed).....

Pulse-start metal halide only.....

Enclosure machined for 2 conduit/cable entries.....

Yoke mount and slipfitter.....

Suffix

TIR

FA

S658

M20

M25

NPT75

S714

S828

S886

SFA6

Photometrics are available online.

Champ® Voyager nR™ Stainless Steel Floodlight

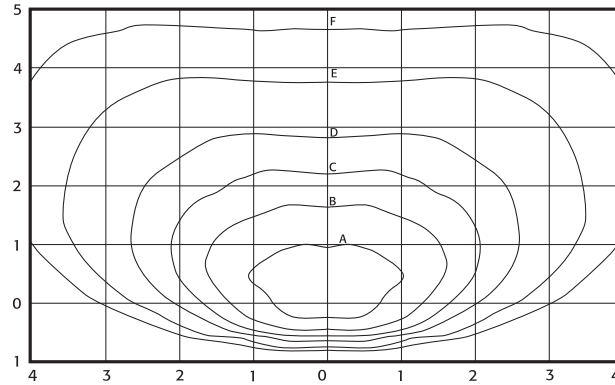
Cl. I, Div. 2, Groups A, B, C, D
Cl. I, Zone 2, AEx nR II, Group IIC
IEC Zone 2, Ex nR II ATEX

Marine locations
Wet locations

6L

Photometric Data:

MH Wide Beam Reflector



LUMINAIRE IS LOCATED AT 0,0 AND AIMED 45 DEGREES DOWN FROM HORIZONTAL

ISOFOOTCANDLE CHART

400W Metal Halide (MH)

Catalog Number: SSFMVMY400/MT

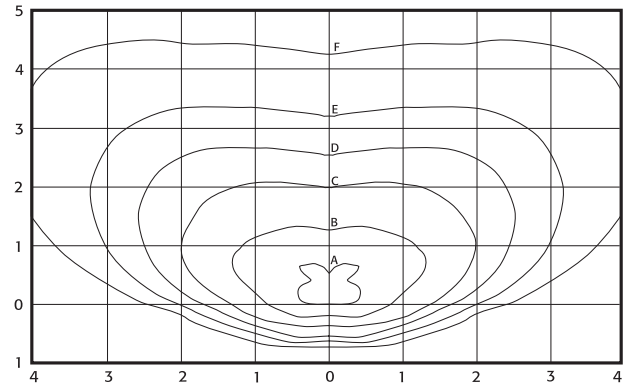
Lamp: 400W Clear MH

Lumen Rating: 34,000

Luminaire located at 0, 0° aiming angle at 45° down from horizontal

For 175W MH, multiply footcandles by 0.42.
For 250W HPS, multiply footcandles by 0.65.

HPS Wide Beam Reflector



LUMINAIRE IS LOCATED AT 0,0 AND AIMED 45 DEGREES DOWN FROM HORIZONTAL

ISOFOOTCANDLE CHART

400W High Pressure Sodium (HPS)

Catalog Number: SSFMVSY400/MT

Lamp: 400W Clear HPS

Lumen Rating: 50,000

Luminaire located at 0, 0° aiming angle at 45° down from horizontal

For 150W HPS, multiply footcandles by 0.32.
For 250W HPS, multiply footcandles by 0.57.

Mounting Height	Footcandle Values for Isofootcandle Lines					
	A	B	C	D	E	F
10'	20.000	39.000	4.000	2.000	0.800	0.400
15'	8.889	3.555	1.778	0.889	0.356	0.178
20'	5.000	2.000	1.000	0.500	0.200	0.100
25'	3.200	1.280	0.640	0.320	0.128	0.064
30'	2.222	0.889	0.444	0.222	0.089	0.044
35'	1.633	0.653	0.327	0.163	0.065	0.033
40'	1.250	0.500	0.250	0.125	0.050	0.025

Mounting Height	Footcandle Values for Isofootcandle Lines					
	A	B	C	D	E	F
10'	40.000	20.000	8.000	4.000	2.000	0.800
15'	17.778	8.889	3.555	1.778	0.889	0.356
20'	10.000	5.000	2.000	1.000	0.500	0.200
25'	6.400	3.200	1.280	0.640	0.320	0.128
30'	4.444	2.222	0.889	0.444	0.222	0.089
35'	3.265	1.633	0.653	0.327	0.163	0.065
40'	2.500	1.250	0.500	0.250	0.125	0.050

Photometrics are available online.

6L