

## XPFMax Commander/al



### FEATURES

- High output luminaire, up to 40,000 raw lumens.
- Available with two T5HO lamps in each globe assembly.
- Fluorescent system provides energy savings up to 50% when compared to HID.
- Multi voltage electronic ballast resistant to brownouts or voltage and frequency fluctuations.
- Ease of maintenance with factory sealed, field replaceable globe assemblies.
- Provided with 4100° K, low mercury TPLC compliant lamps.
- Impact resistant borosilicate glass tubes.
- Re-lamping from either end of the luminaire allows for flexible positioning.
- Adjustable mounting brackets allow a 180° range of aiming positions.
- Integral safety cable mounting points.
- Spring loaded lamp holders for maximum vibration resistance.
- UL 844 certified for 55°C ambient.
- Optional UL listed for paint spray booth applications.
- Optional self contained emergency battery backup ballasts.
- UL listed for 55°C (131°F) (select models)

### APPLICATIONS

- Class I, II & III Division 1 explosive atmospheres
- High, mid & low bay
- Paint booths
- Paint & formulation facilities
- Aircraft fueling & maintenance areas
- Oil and gas exploration and production
- Fuel dispensing facilities
- Marine and watertight requirements
- Petrochemical facilities
- Dusttight requirements

### APPROVALS

- Class I Division 1 Groups C & D
- Class II Zone 1 Groups IIA & IIB
- Class II Divisions 1 & 2 Groups E, F & G
- Class III
- Conforms to IP66
- Marine Outside Type Saltwater
- Paint Spray Booth Approval (Optional)
- Up to 55°C Rated
- ABS

### STANDARDS

- UL 844 - Hazardous Locations
- UL 924 - Emergency Lighting Equipment
- UL 1598A - Luminaires for Marine Vessels
- CSA -Class 3428 03
- CSA -Class 3428 83

### TECHNICAL SPECIFICATIONS

#### HOUSING

Cast copper free aluminum. Optional, nickel plated brass end caps.

#### HARDWARE

Stainless steel.

#### REFLECTOR

Type 5052H32 aluminum with an electrostatically applied white polyester powder coat finish. Minimum 90% reflectance.

#### GLOBE ASSEMBLY

Factory sealed field replaceable globe assembly. High impact resistant tempered borosilicate glass.

#### LAMP HOLDERS

Spring loaded for T5, T5HO, T8 & T12 lamp types. Engineered plastics, no urea materials.

#### ENTRIES

Two 3/4" NPT outlets, one plugged.

#### MOUNTING

Two adjustable surface mount brackets with 3/8" Ø mounting holes. Two beam clamps and one 48" stainless steel safety cable with snap hook provided.

#### GUARD

Optional, stainless steel.

#### LAMP TYPES

See ORDERING REFERENCES. Lamps provided.

#### BALLAST

120 to 277 volt 50/60 Hz electronic, optional 347v and 480v.

#### EMERGENCY BATTERY BACKUP BALLAST

Optional, self contained 90 minute minimum for all lamp types. 120 minutes minimum for F32T8 one lamp. Starting temperature 32°F/0°C.

## ORDERING REFERENCES



**1. Series**  
FEPR

**2. Number of Lamps**

- 1 - 1 lamp (no EM option)
- 2 - 2 lamps
  - Single globe assembly for T5 lamp types
  - Two globe assemblies for T8 & T12 lamp types
- 3 - 3 lamps (no EM option)
- 4 - 4 lamps
  - Two globe assemblies for T5 lamp types
  - Four globe assemblies for T8 & T12 lamp types
- 6\* - 6 lamps (no EM option)
  - Three globe assemblies for T5 lamp types only
- 8 - 8 lamps
  - Four globe assemblies for T5 lamp types only

\*Not for marine applications.

**3. Lamp Types**

- 14 - 2 ft F14 T5 Mini Bi-Pin
- 17 - 2 ft F17 T8 Bi-Pin
- 24 - 2 ft F24 T5HO Mini Bi-Pin
- 28 - 4 ft F28 T5 Bi-Pin
- 32 - 4 ft F32 T8 Bi-Pin
- 35 - 2 ft F24 T12HO RDC
- 54 - 4 ft F54 T5HO Mini Bi-Pin
- 60 - 4 ft F48 T12HO RDC

**4. Housing**  
A - Aluminum

**5. Special Options**

- EM1\* - Emergency Battery Backup Ballast, 1 lamp, 277v max
- EMT1\* - Emergency Battery Backup Ballast, 1 lamp, 277v max, test switch
- EM2\*\* - Emergency Battery Backup Ballast, 1 lamp, 277v max
- EMT2\*\* - Emergency Battery Backup Ballast, 1 lamp, 277v max, test switch
- EM3\*\* - Emergency Battery Backup Ballast, high lumen, 1 lamp, 277v max
- EMT3\*\* - Emergency Battery Backup Ballast, high lumen, 1 lamp, 277v max, test switch
- GRD - Stainless Steel Wire Guard (Field installable)
- PNT - Paint Spray Area Type Luminaire
- CY4 - Pendant Mount 3/4" NPT (Not field installable) (Not offered with SM option)
- TLT - Tilt Mount Brackets
- SM - Shock and Vibration Mount (Not offered with CY4 option)
- T - Terminal Block
- NP - Nickel Plated Brass End Cap Assemblies
- 346 - 347 Volt 60 Hz, consult factory for availability
- 486 - 480 Volt 60 Hz, consult factory for availability

\*T5/T5HO models only.

\*\*Not for T5/T5HO models also not for 60W HO or EM2.

**Notes:**

1. Consult factory for options not listed.

## SPARE PARTS

Part No.	Description				
FX5350	BALLAST 120-277V 60HZ, 1 x 14, F14T5	FX5346HDU	EMERGENCY BATTERY BACKUP BALLAST, EM1/EMT1, T5 & T5HO 120-277v	FX4072	LAMP HOLDERS (2 per lamp), 17 & 32 2008 models and later
FX5350	BALLAST 120-277V 60HZ, 1 x 28, F28T5	FX3573	LAMP, 14w, F14T5	FX4073	LAMP HOLDERS (2 per lamp), 35 & 60 2008 models and later
FX5355	BALLAST 120-277V 60HZ, 1 x 24, F24T5HO	FX3574	LAMP, 28w, F28T5	FX4012	No Longer Available - Pre-2008 - LAMP HOLDERS 17 & 32
FX5337	BALLAST 120-277V 60HZ, 1 x 54, F54T5HO	FX3568	LAMP, 24w, F24T5HO	FX4010	No Longer Available - Pre-2008 - LAMP HOLDERS 35 & 60
FX5174	BALLAST 120-277V 60HZ, 1 x 17, F17T8	FX3567	LAMP, 54w, F54T5HO	FX7007	MOUNTING BRACKET, Standard
FX5221	BALLAST 120-277V 60HZ, 1 x 32, F32T8	FX3528	LAMP, 17w, F17T8	FX7005	MOUNTING BRACKET, Tilt Kits (2 ea)
FX5334	BALLAST 120-277V 60HZ, 1 x 35, F24T12HO	FX3527	LAMP, 32w, F32T8	FX1013	GUARD, 1 lamp, 2 ft models
FX5334	BALLAST 120-277V 60HZ, 1 x 60, F48T12HO	FX3507	LAMP, 35w, F24T12HO	FX1004	GUARD, 2 lamp, 2 ft models
FX5350	BALLAST 120-277V 60HZ, 2 x 14, F14T5	FX3505	LAMP, 60w, F48T12HO	FX1010	GUARD, 3 lamp, 2 ft models
FX5350	BALLAST 120-277V 60HZ, 2 x 28, F28T5	FX9012A-214	COMPLETE GLOBE ASSEMBLY, 14w, 2 ft models	FX1004	GUARD, 4 lamp (2 required), 2 ft models
FX5355	BALLAST 120-277V 60HZ, 2 x 24, F24T5HO	FX9012A-224	COMPLETE GLOBE ASSEMBLY, 24w, 2 ft models	FX1014	GUARD, 1 lamp, 4 ft models
FX5337	BALLAST 120-277V 60HZ, 2 x 54, F54T5HO	FX9012A-17	COMPLETE GLOBE ASSEMBLY, 17w, 2 ft models	FX1002	GUARD, 2 lamp, 4 ft models
FX5340	BALLAST 120-277V 60HZ, 2 x 17, F17T8	FX9012A-35	COMPLETE GLOBE ASSEMBLY, 35w, 2 ft models	FX1005	GUARD, 3 lamp, 4 ft models
FX5340	BALLAST 120-277V 60HZ, 2 x 32, F32T8	FX9014A-228	COMPLETE GLOBE ASSEMBLY, 28w, 4 ft models	FX1002	GUARD, 4 lamp (2 required), 4 ft models
FX5334	BALLAST 120-277V 60HZ, 2 x 35, F24T12HO	FX9014A-254	COMPLETE GLOBE ASSEMBLY, 54w, 4 ft models	SC30H	SAFETY CABLE, 48" Stainless Steel with snap hook
FX5334	BALLAST 120-277V 60HZ, 2 x 60, F48T12HO	FX9014A-32	COMPLETE GLOBE ASSEMBLY, 32w, 4 ft models	BC2K	BEAM CLAMP KIT (2 ea)
FX5135U	EMERGENCY BATTERY BACKUP BALLAST, EM2/EMT2, CF, T8, T12, T12HO 120-277v	FX9014A-60	COMPLETE GLOBE ASSEMBLY, 60w, 4 ft models		
FX5095U	EMERGENCY BATTERY BACKUP BALLAST, EM3/EMT3, CF, T8, T12, T12HO 120-277v	FX4622	LAMP HOLDERS (2 per lamp), 14/28 & 24/54		

# XPFMax Commander/al

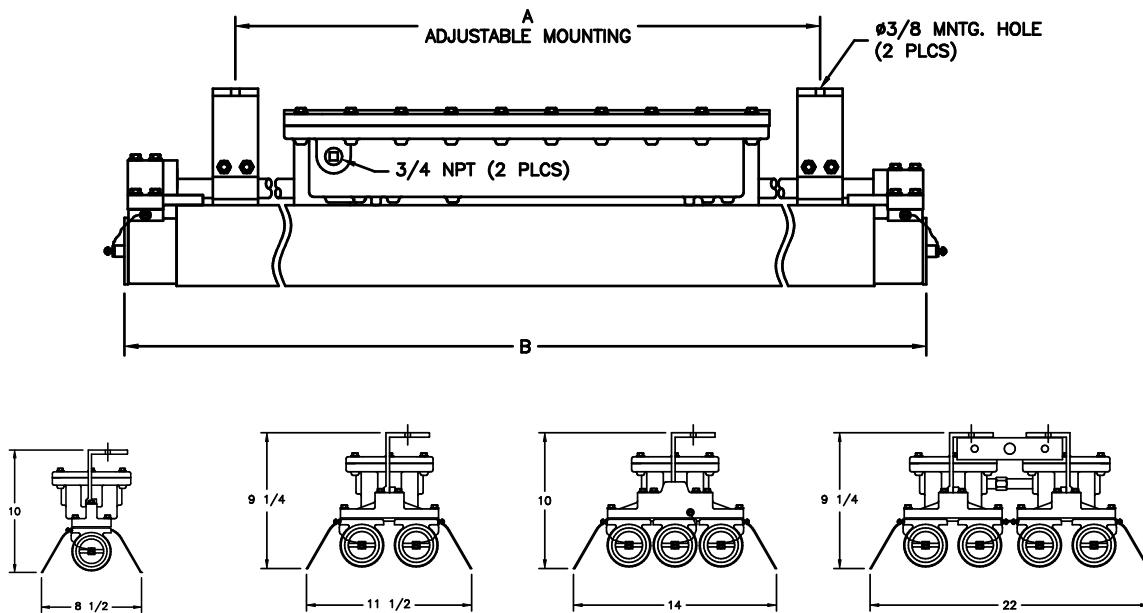
## TEMPERATURE CODES & APPROVALS

Lamp Wattage	Ballast/Socket Type	ANSI Lamp Code	Class I T-Code	Class I Division 2	Class II Divisions 1 & 2	Class III	Class II & III T-Code	Starting Temp	Maximum Ambient*	Supply Wire
14/28	T5 Mini Bi-Pin G5	F14/F28-T5	T5	C & D	E, F & G	Yes	T3C	0°F / -18°C	55°C	90°C
17	T8 Bi-Pin G13	F17-T8	T5	C & D	E, F & G	Yes	T3C	0°F / -18°C	55°C	90°C
32	T8 Bi-Pin G13	F32-T8	T5	C & D	E, F & G	Yes	T3C	-20°F / -29°C	55°C	90°C
24/54*	T5HO Mini Bi-Pin G5	F24/F54-T5HO	T5	C & D	E, F & G	Yes	T3C	-20°F / -29°C	55°C	90°C
35/60	T12HO RDC R17d	F24/F48-T12HO	T5	C & D	E, F & G	Yes	T3C	-20°F / -29°C	55°C	90°C
24/54**	T5HO Mini Bi-Pin G5	F24/F54-T5HO	T5	C & D	E, F & G	Yes	T3C	-20°F / -29°C	40°C	90°C

\* 1 lamp per tube.

\*\* 2 lamps per tube.

## DIMENSIONS



Nominal Length	Dimensions Inches / Centimeters			Carton L X W X D Inches	Nominal Weight - Lbs / Kg			
	A	B	Globes		No. Globes			
					1	2	3	4
2 Foot	18 1/2 - 22 1/2 / 47-57 <sup>3/20</sup>	30 / 76 <sup>1/5</sup>	1, 2 & 3 4	34 5/8 x 13 3/8 x 10 3/8 Consult Factory	26 / 11.8	32 / 14.5	43 / 19.5	66 / 29.9
4 Foot	18 1/2 - 46 / 47-116 <sup>21/25</sup>	54 / 137 <sup>1/25</sup>	1 & 2 3 & 4	58 3/4 x 12 3/4 x 10 55 11/16 x 17 3/4 x 10 1/16	32 / 14.5	40 / 18.1	52 / 23.6	83 / 37.6

## FACTORY SEALED FIELD REPLACEABLE GLOBE ASSEMBLY

### Commander Globe Replacement Instructions

Field replacement of the Commander globe assembly is easy, but should be done by a qualified person only. Remember to use caution when handling broken parts and glass.



1. Make sure that the power is off prior to any servicing.



2. Remove the end caps and cut the wire connections.



3. While supporting the globe end casting, loosen and remove the 4 bolts from each end.



4. Replace with a new globe assembly in the reverse order. Feed the wires back into the globe ends & bolt in place.



5. Rewire as per the diagram provided with the replacement globe. Check for proper lamp installation and replace end caps.



6. Reapply power and inspect for proper operation.