

## Ecoss ED2N



### FEATURES

- Suitability -20°C up to +65°C for extreme temperature conditions.
- 17/32 watt T8 bi-pin version with HAB option is rated T6 at 65°C.
- Class II Group E, for applications with metal dust.
- Up to three entries each end, suitable for dead-end, thru-feed or single ended "T" wiring.
- Lens hinged one side and plastic latches on the other. Three for 2 foot and five for 4 foot hinge points and latches for uniform gasket compression.
- Tool less entry, optional tooled entry to prevent tampering.
- Reflector hinged and retained for wiring access.
- Optional internal safety switch, disconnects power when lens is opened.
- Option of 1, 2, or 3 lamps.

### APPLICATIONS

- Hazardous locations
- Marine and watertight requirements
- Waste water treatment plants
- Dusttight requirements
- Food & beverages processing facilities
- Oil and gas exploration and production
- Petrochemical facilities

### CERTIFICATIONS & COMPLIANCE

- Class I Division 2 Groups A, B, C & D
- Class I Zone 2 Groups IIA, IIB, IIB+ H2 & IIC
- Class II Division I Groups E, F & G
- Class III
- Type 4X
- IP66
- ABS (pending)
- UL 844 - Hazardous Locations
- UL 924 - Emergency Lighting Equipment
- UL 1598A - Luminaires for Marine Vessels
- EN 60529 -Ingress protection
- CSA - Class 3428 83
- CSA - Class 3428 03

### TECHNICAL SPECIFICATIONS

#### HOUSING

Impact resistant, UV stabilized fiberglass reinforced polyester.

#### LENS

Polycarbonate injection molded. Lens removable at 120 °. Suitable for narrow-gap mounting between obstructions.

#### REFLECTOR

Photometrically optimized, engineered high reflectance plastic for optimum reflectance.

#### GASKET

Silicone.

#### MOUNTING

Five mounting options: ceiling bracket, wall mount, pipe clamp, eye-bolts, and shock mount brackets (factory installed only).

#### LATCHES

Engineered plastic, optional stainless steel or aluminum.

#### LAMP HOLDERS

Shock and vibration resistant engineered plastic polycarbonate.

#### ENTRIES

Up to three entries each end, suitable for dead-end, thru-feed or single ended "T" wiring.

#### LAMP TYPES

See ORDERING REFERENCES. Lamps not provided.

#### BALLAST

120 to 277 volt 50/60 Hz electronic.

#### EMERGENCY BATTERY BACKUP BALLAST

Optional, self contained 90 minute minimum with LED charge status indicator for all lamp types. 120 minutes minimum for F32T8 one lamp. Starting temperature 32°F/0°C.

#### TERMINAL BLOCKS

Optional 5 pole at one or each end, convenient for alternative phase wiring.

## ORDERING REFERENCES



### 1. Series

ED2N - Class I Division 2

### 2. Length (nominal)

2 - 2 Foot  
4 - 4 foot

### 3. Number of Lamps

1 - 1 lamp  
2 - 2 lamps  
3 - 3 lamps\*

### 4. Lamp Types

1 - 2 ft 17 or 4 ft 32 watt T8 bi-pin  
3 - 2 ft 18 or 4 ft 36 watt T8 bi-pin  
5 - 2 ft 24 or 4 ft 54 watt T5HO bi-pin  
6 - 2 ft 14 or 4 ft 28 watt T5 bi-pin

### 5. Voltage / Frequency

7 - 120 to 277 VAC 50/60 Hz  
6 - 347 VAC 60 Hz (consult factory for application)  
9 - 480 VAC 60 Hz (consult factory for application)

### 6. Mounting Options

X - No mounting style, M8 nuts  
1 - Ceiling bracket, stainless steel  
2 - Wall Mount Cornice bracket  
3 - Pipe clamp bracket  
4 - Cable suspension eye-bolts  
5 - Shock Mount Brackets (factory installed only)

### 7. Entry

012 - Myers™ Conduit hubs Zinc- 3/4" NPT 1 entries each end  
022 - Myers™ Conduit hubs Zinc- 3/4" NPT 2 entries each end  
  
112 - Myers™ Conduit hubs Stainless Steel 3/4" NPT 1 entry each end  
122 - Myers™ Conduit hubs Stainless Steel 3/4" NPT 2 entries each end  
  
113 - Myers™ Conduit hubs 316 Stainless Steel 3/4" NPT 1 entry each end  
123 - Myers™ Conduit hubs 316 Stainless Steel 3/4" NPT 2 entries each end  
  
212 - Gland Plate Plastic 1- 3/4" entry each end  
222 - Gland Plate Plastic 2- 3/4" entries each end  
232 - Gland Plate Plastic 3- 3/4" entries each end  
  
312 - Gland Plate Brass 1- 3/4" entry each end  
322 - Gland Plate Brass 2- 3/4" entries each end  
332 - Gland Plate Brass 3- 3/4" entries each end

### 8. Options

S - Stainless Steel Latch  
SR - Stainless Steel Tamper Resistant Latch  
A - Aluminum Latch  
AR - Aluminum Tamper Resistant Latch  
SW - Internal Safety Disconnect Switch  
EM1\* - Emergency Ballast, 1 lamp  
L\*\* - Lamps  
T - Terminal Block, 5 pole  
T2 - Terminal Block Each End, 5 pole  
HAB\*\*\* - High Ambient Ballast

#### Notes:

\* EM1 - Not available in 2ft, 3 lamps.

\*\*Lamps are not included unless option "L" is specified.

\*\*\*T6, 65°C ambient for Lamp Type 1 only. Two lamp maximum.

## SPARE PARTS

Part No.	Description
FX5350	BALLAST 120-277V AC 50/60HZ, 1 & 2 X 14w, F14T5
FX5350	BALLAST 120-277V AC 50/60HZ, 1 & 2 X 28w, F28T5
FX5305	BALLAST 120-277V AC 50/60HZ, 1 & 2 X 54W, F54T5HO
FX5307	BALLAST 120-277V AC 50/60HZ, 1 & 2 X 24W, F24T5HO
FX5352	BALLAST 120-277V AC 50/60HZ, 1 & 2 X 18W, F18T8
FX5353	BALLAST 120-277V AC 50/60HZ, 1 & 2 X 36W, F36T8
FX5340	BALLAST 120-277V AC 50/60HZ, 1 X 17W, F17T8
FX5340	BALLAST 120-277V AC 50/60HZ, 2 X 17W, F18T8
FX5340	BALLAST 120-277V AC 50/60HZ, 1 & 2 X 32W, F32T8
FX5128HDU	EMERGENCY BALLAST 120V-277V, EM1, 120V-277V, T8 LAMPS
FX5346HDU	EMERGENCY BALLAST 120V-277V, EM1, 120V-277V, T5 & T5HO LAMPS
FX3573	LAMP 14W F14T5
FX3574	LAMP 28W F28T5

Part No.	Description
FX3568	LAMP 24W F24T5HO
FX3567	LAMP 54W F54T5HO
FX3528	LAMP 17W F17T8
FX3527	LAMP 32W F32T8
FX3562	LAMP 18W F18T8
FX3557	LAMP 36W F36T8
FX4064P	T5 LAMPHOLDER
FX4064	STATIONARY T5 LAMPHOLDER
FX4060IS	T8 LAMPHOLDER
FX8015	LATCH
FX2252	2 FOOT LENS
FX2254	4 FOOT LENS

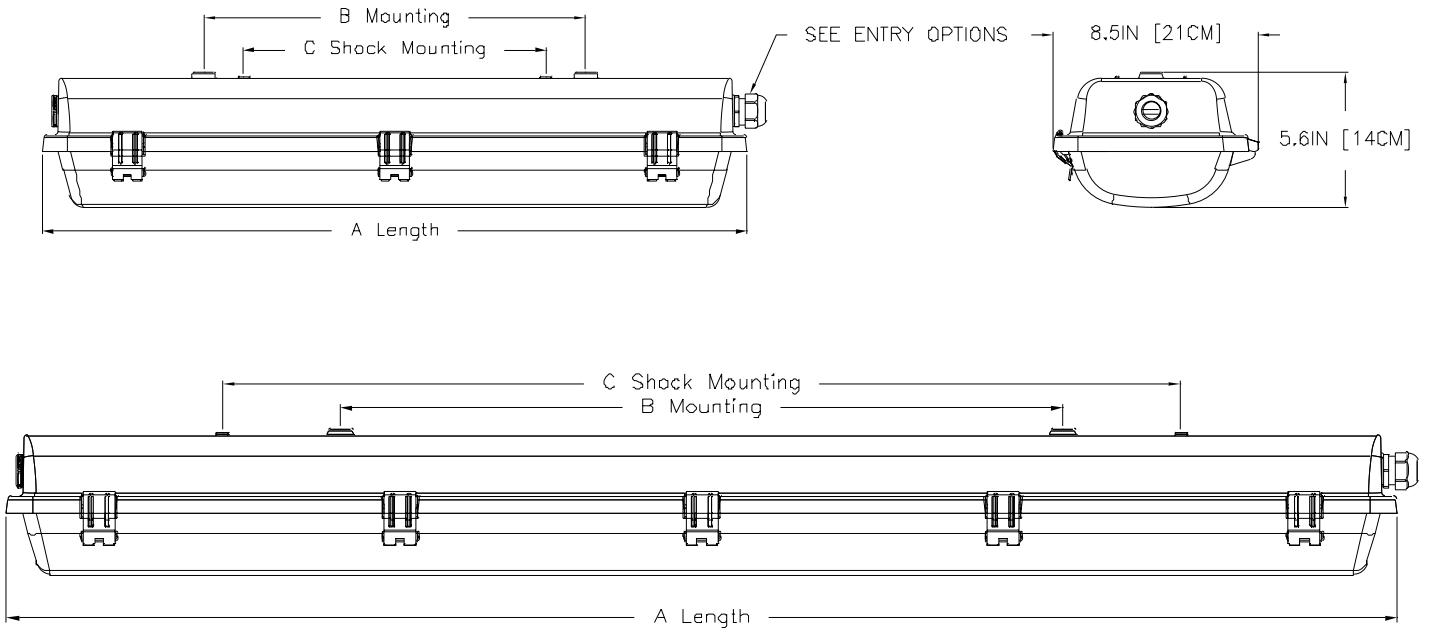
# Ecos ED2N

## TEMPERATURE CODES & APPROVALS

Lamp Wattage	Ballast/Socket Type	ANSI Lamp Code	Class I T-Code	Class I Division 2	Class II Division 1	Class III	Starting Temp	Maximum Ambient*	Supply Wire
14/28	T5 Mini Bi-Pin G5	F14/F28-T5	T4A	A,B,C & D	E, F & G	Yes	0°F / -18°C	55°C	90°C
24/54	T5HO Mini Bi-Pin G5	F24/F54-T5HO	T3C	A,B,C & D	E, F & G	Yes	-20°F / -29°C	55°C	90°C
17/32	T8 Bi-Pin G13	F17/32-T8	T4A	A,B,C & D	E, F & G	Yes	-20°F / -29°C	55°C	90°C
17/32	T8 Bi-Pin G13	F17/32-T8	T6	A,B,C & D	E, F & G	Yes	-20°F / -29°C	65°C**	90°C
18/36	T8 Bi-Pin G13	F18/36-T8	T4A	A,B,C & D	E, F & G	Yes	-20°F / -29°C	55°C	90°C

\*Consult factory for optional higher ambient models.

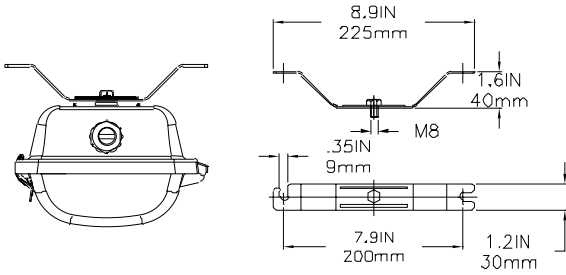
\*\* When ordered with a HAB option, 2 lamp maximum.



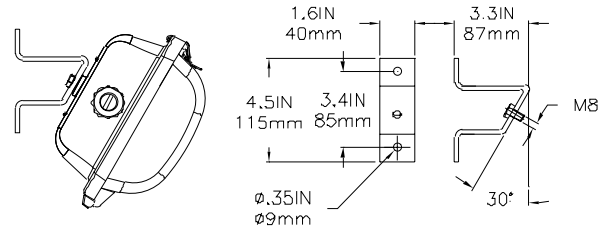
## DIMENSIONS

Nominal Length	Dimensions in Inches / Centimeters			Carton L x W x D Inches	Nominal Weight	
	A	B	C		Lbs	Kg
2 Foot	29 / 73.6	15.7 / 40.0	12.4 / 31.6	8 ¾ x 6 ¼ x 31 ⅞	9	4.0
4 Foot	53 / 134.6	27.6 / 70.0	33.6 / 92.9	8 ½ x 6 x 56 ⅛	17	8.0

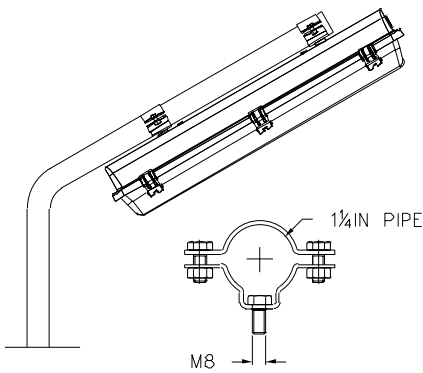
## MOUNTING OPTIONS



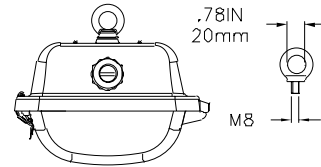
**Ceiling Mount**  
ECO1091MKT - SS Ceiling bracket



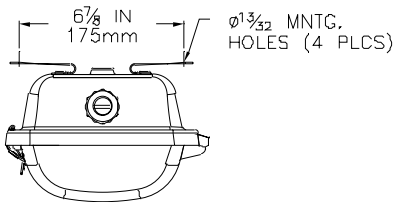
**Wall Mount**  
ECOWMKT - Wall mount Cornice bracket



**Pipe Mount**  
ECOPMKT - Pipe clamp bracket



**Eyebolt (Cable) Mount**  
ECOEBKIT - Cable Suspension Eyebolt



**Shock Mount Brackets**  
Factory Installed Only - Shock Mount (legacy FPS)  
brackets - see Ordering Reference