

XPF

XPFStrobe EPN/al



FEATURES

- Strobe rated at 300 effective candle power (ECP).
- 10,000 hour strobe tube.
- Neoprene gasket resists petroleum and provides a watertight seal.
- Clear heat and impact resistant outer globe.
- Watertight mounting in any direction.
- Protective guard provided.
- Internal fresnel lens in clear, yellow, green, red or blue.
- Rugged cast design for high abuse areas.

APPLICATIONS

- Class I Division 1 explosive atmospheres
- Ceiling, pendant and wall mounting types
- Status/warning indication
- High ambient noise environments
- Obstruction marking
- Oil and gas exploration and production
- Marine and watertight requirements
- Petrochemical facilities
- Aircraft fueling and maintenance areas
- Process control
- Paint and formulation facilities
- Fuel dispensing facilities

APPROVALS

- Class I Divisions 1 & 2 Groups C & D
- Type 4X
- Conforms to IP66
- ABS

STANDARDS

- UL 844 - Hazardous Locations
- UL 1598A - Luminaires for Marine Vessels
- UL 1638 - Marine Visual Signaling Device
- CSA - C22.2 137-M1981

TECHNICAL SPECIFICATIONS

HOUSING

Cast copper free aluminum.

GUARD

Cast copper free aluminum.

HARDWARE

Stainless steel.

ENTRIES

One 1/2" NPT. Up to 3/4" NPT four way available.
See ENTRY OPTIONS for selections.

GASKET

One piece neoprene.

MOUNTING

Ceiling, pendant or wall.

OUTER GLOBE

Clear tempered glass.

INTERNAL LENS

Polycarbonate fresnel in clear, red, blue, green or yellow.

LAMP TYPE

Xenon strobe.

FLASH RATE

DC - 80 FPM
AC - 90 FPM

VOLTAGE

120v AC 50/60Hz. Other options available.

CURRENT DRAW

12v DC = 1.7 amps
24v DC = .7 amps
120v AC 50/60Hz = .32 amps
240v AC 50/60Hz = .16 amps

TEMPERATURE CODE

Rated T6 at 40°C ambient.

ORDERING REFERENCES

PART NUMBER	DESCRIPTION	WEIGHT LBS
EPN7000A	Ceiling Mount	9.0
EPN7001A	Pendant Mount	8.0
EPN7002A	Wall Mount	11.5

SPECIAL OPTIONS

- 5 - 12v DC
- 6 - 24v DC
- 4 - 240v AC 50/60Hz
- RED - Red Lens
- BLU - Blue Lens
- GRN - Green Lens
- YEL - Yellow Lens

ENTRY OPTIONS

Wall and Ceiling Types

NPT Trade Size	Dead End	Thru Feed	90 Degree	X-Positions
1/2"	Std.	C1	L1	X1
3/4"	E2	C2	L2	Std.

Pendant Type

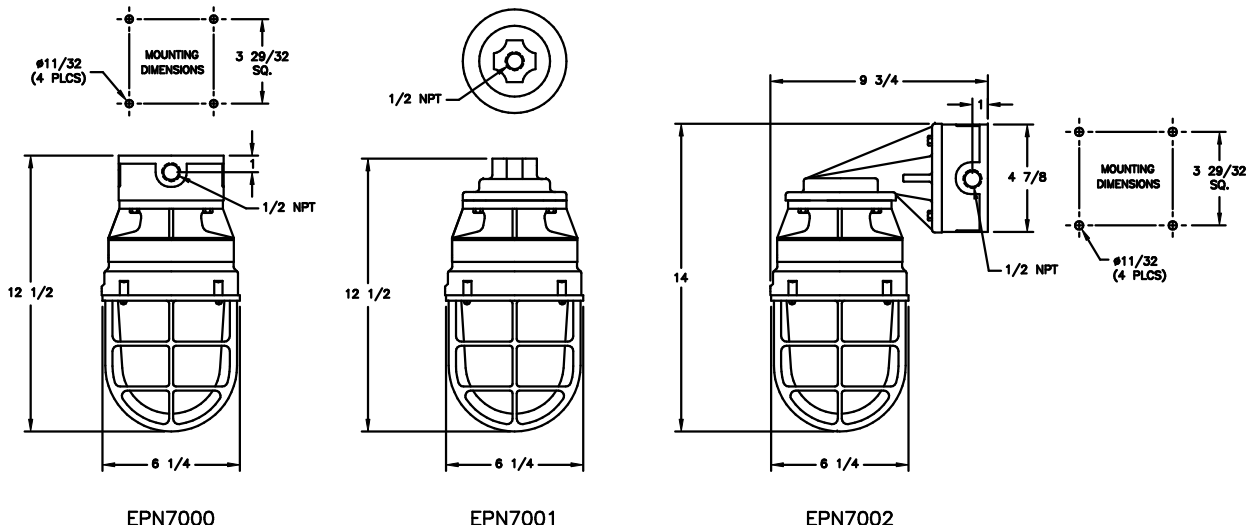
NPT Trade Size	Dead End
1/2"	Std.
3/4"	E2

SPARE PARTS

Part No.	Description
INX1005A	GUARD
INX9012A	GLOBE ASSEMBLY
INX3648	LAMP
INX3636CLR	INTERNAL STROBE/LENS ASSEMBLY, 120v AC 50/60Hz, Clear Lens
INX3636RED	INTERNAL STROBE/LENS ASSEMBLY, 120v AC 50/60Hz, Red Lens
INX3636BLU	INTERNAL STROBE/LENS ASSEMBLY, 120v AC 50/60Hz, Blue Lens
INX3636GRN	INTERNAL STROBE/LENS ASSEMBLY, 120v AC 50/60Hz, Green Lens
INX3636YEL	INTERNAL STROBE/LENS ASSEMBLY, 120v AC 50/60Hz, Yellow Lens
INX3637CLR	INTERNAL STROBE/LENS ASSEMBLY, 12v-24v DC, Clear Lens
INX3637RED	INTERNAL STROBE/LENS ASSEMBLY, 12v-24v DC, Red Lens
INX3637BLU	INTERNAL STROBE/LENS ASSEMBLY, 12v-24v DC, Blue Lens
INX3637GRN	INTERNAL STROBE/LENS ASSEMBLY, 12v-24v DC, Green Lens
INX3637YEL	INTERNAL STROBE/LENS ASSEMBLY, 12v-24v DC, Yellow Lens
INX3639CLR	INTERNAL STROBE/LENS ASSEMBLY, 240v AC 50/60Hz, Clear Lens
INX3639RED	INTERNAL STROBE/LENS ASSEMBLY, 240v AC 50/60Hz, Red Lens
INX3639BLU	INTERNAL STROBE/LENS ASSEMBLY, 240v AC 50/60Hz, Blue Lens
INX3639GRN	INTERNAL STROBE/LENS ASSEMBLY, 240v AC 50/60Hz, Green Lens
INX3639YEL	INTERNAL STROBE/LENS ASSEMBLY, 240v AC 50/60Hz, Yellow Lens

XPFStrobe EPN/al

DIMENSIONS



Dimensions in inches

NOTES