

Pro

ProMark 1158/1159/br



FEATURES

- Steady burn marker.
- Available in 100w incandescent or 13w, 18w, 26w and 32w compact fluorescent..
- High temperature silicone gaskets provide a watertight seal.
- Watertight mounting in any direction.
- Protective guard available.
- Heat and impact resistant glass fresnel lens in clear, yellow, green, red or blue.

APPLICATIONS

- Obstruction marking
- Heli-pad marking
- Marine and watertight requirements
- Ceiling/surface and stem/pendant mount types
- Oil and gas exploration and production

APPROVALS

- Conforms to IP66
- Marine Outside Type Saltwater
- ABS

STANDARDS

- UL 1598A - Luminaires for Marine Vessels

TECHNICAL SPECIFICATIONS

HOUSING

Cast marine brass.

GUARD

Optional, cast marine brass.

HARDWARE

Stainless steel.

ENTRIES

Stem/pendant type - one ¼" NPT.

Ceiling/surface type - undrilled, up to ¾" NPT four way available.

See ENTRY OPTIONS for selections.

GASKETS

One piece silicone.

MOUNTING

Ceiling/surface or stem/pendant.

LAMP HOLDER

Medium base, high temperature PBT. Nickel plated copper screw shell. Compact fluorescent polycarbonate. Porcelain or shockproof optional.

LENS

Tempered fresnel glass in clear, red, blue, green or yellow.

LAMP TYPE

A-19 100w incandescent or 4 Pin compact fluorescent. Lamp not provided.

VOLTAGE

Rated up to 250v. Compact fluorescent rated to 120v 50/60Hz, optional 277v 50/60Hz.

TERMINAL BLOCK

Optional 4 or 6 pole terminal block on ceiling/surface types.

ORDERING REFERENCES

PART NUMBER	DESCRIPTION	LENS COLOR	WEIGHT LBS*
1158B	Stem/Pendant	Clear	7.9
1158BRED	Stem/Pendant	Red	7.9
1158BBLU	Stem/Pendant	Blue	7.9
1158BGRN	Stem/Pendant	Green	7.9
1158BYEL	Stem/Pendant	Yellow	7.9
1159B	Ceiling/Surface	Clear	7.9
F1159B-#	Ceiling/Surface	Clear	7.9
1159BRED	Ceiling/Surface	Red	7.9
F1159BRED-#	Ceiling/Surface	Red	7.9
1159BBLU	Ceiling/Surface	Blue	7.9
F1159BBLU-#	Ceiling/Surface	Blue	7.9
1159BGRN	Ceiling/Surface	Green	7.9
F1159BGRN-#	Ceiling/Surface	Green	7.9
1159BYEL	Ceiling/Surface	Yellow	7.9
F1159BYEL-#	Ceiling/Surface	Yellow	7.9

Enter compact fluorescent (CF) wattage desired: 13, 18, 26 or 32.

*Add 1.1 lbs with guard.

SPECIAL OPTIONS

- P* - Porcelain Lamp Holder
- SP - Shockproof Lamp Holder
- T* - Terminal Block, 4 pole (Ceiling/surface type)
- T6* - Terminal Block, 6 pole (Ceiling/surface type)
- GRD - Guard
- 276 - 277v 60Hz (Compact fluorescent only)

*Not available for compact fluorescent.

ENTRY OPTIONS

1159 Ceiling/Surface Type

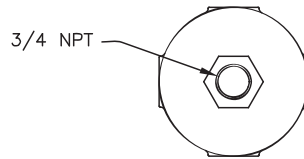
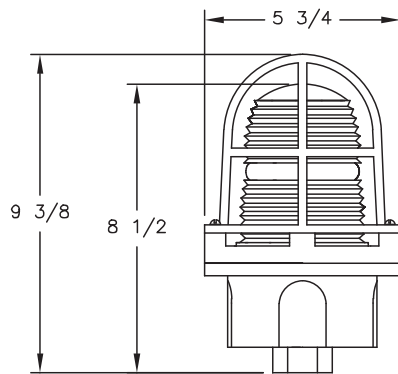
NPT Trade Size	Dead End	Thru Feed	90 Degree	X-Positions
1/2"	E1	C1	L1	X1
3/4"	E2	C2	L2	X2

SPARE PARTS

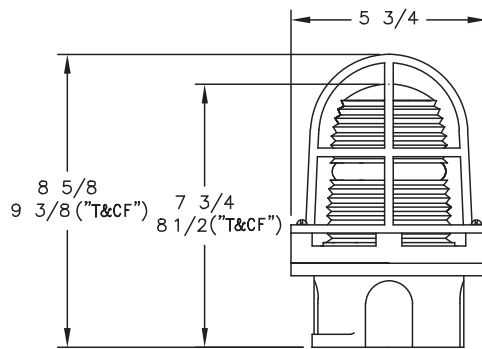
Part No.	Description	Part No.	Description
INX4000	LAMP HOLDER, Standard PBT	FX3552	LAMP, 18w compact fluorescent
INX4000SP	LAMP HOLDER, Shockproof	FX3553	LAMP, 26w compact fluorescent
INX4000P	LAMP HOLDER, Porcelain	FX3554	LAMP, 32w compact fluorescent
FX4042	LAMP HOLDER, 13w compact fluorescent	CX3070	TERMINAL BLOCK, 4 pole
FX4030	LAMP HOLDER, 18w compact fluorescent	CX3076	TERMINAL BLOCK, 6 pole
FX4034	LAMP HOLDER, 26/32w compact fluorescent	GKT1143	GASKET SET
INX1004B	GUARD	FX5206	BALLAST, 120VAC 60Hz
INX2058C	LENS (5" overall length), Clear	FX5242	BALLAST, 277VAC 60Hz
INX2058G	LENS (5" overall length), Green	INX6699A	GLOBE BASE, ALUMINUM
INX2058B	LENS (5" overall length), Blue	INX6699B	GLOBE BASE, BRASS
INX2058R	LENS (5" overall length), Red	INX6508A	GLOBE RING, ALUMINUM
INX2058Y	LENS (5" overall length), Yellow	INX6508B	GLOBE RING, BRASS
INX3528	LAMP, 100w A-19		
FX3531	LAMP, 13w compact fluorescent		

ProMark **1158/1159**/br

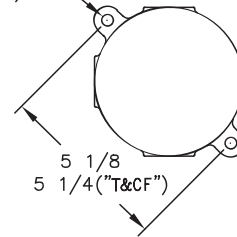
DIMENSIONS



1158GRD



Ø11/32 MNTG.
HOLES (2 PLCS)



1159GRD

Dimensions in inches