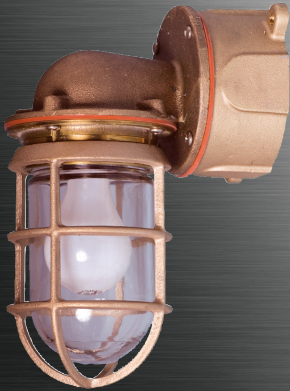


Pro

ProGuard 729/730/br



FEATURES

- Available in 100w, 150w and 300w incandescent or 18w, 26w and 32w compact fluorescent.
- High temperature silicone gaskets provide a watertight seal.
- Choice of wall or flush wall mount.
- Protective guard provided.
- A wide variety of globe materials and colors.

APPLICATIONS

- Wall mount type
- Marine and watertight requirements
- Dusttight requirements
- Military ships
- Coast guard rescue vessels
- Bridge & pier lighting

APPROVALS

- Conforms to IP66
- Marine Outside Type Saltwater
- ABS

STANDARDS

- UL 1598A - Luminaires for Marine Vessels

TECHNICAL SPECIFICATIONS

HOUSING

Cast marine brass.

GUARD

Cast marine brass.

HARDWARE

Stainless steel.

ENTRIES

Standard units undrilled. Up to 1" NPT four way available. See ENTRY OPTIONS for selections.

GASKETS

One piece silicone.

MOUNTING

Wall and Flush.

LAMP HOLDER

Medium base, high temperature PBT. Nickel plated copper screw shell. Shockproof or porcelain optional. Compact fluorescent polycarbonate.

GLOBE

Glass, tempered glass or polycarbonate.

LAMP TYPE

Incandescent or 4-pin compact fluorescent. Lamp not provided.

VOLTAGE

Incandescent rated to 300v.

Compact fluorescent rated to 120v 50/60Hz, optional 277v 50/60Hz.

TERMINAL BLOCK

Four pole or six pole optional for incandescent models only.

SWITCH

Double pole toggle switch with a watertight boot, optional.

ORDERING REFERENCES

PART NUMBER	DESCRIPTION	LAMP MAX	WEIGHT LBS	BOX DEPTH
729B	Wall Mount	A-19 100w	8.0	2"
729B7	Wall Mount	A-21 150w	8.5	2"
F729B7-#	Wall Mount	CF	8.7	2"
730B	Wall Mount	PS-25 300w	10.7	2"
729BF	Flush Mount	A-19 100w	9.3	2 3/8"
729BF7	Flush Mount	A-21 150w	9.5	2 3/8"
F729BF7-#	Flush Mount	CF	9.7	2 3/8"
730BF	Flush Mount	PS-25 300w	11.9	2 3/8"

Enter compact fluorescent (CF) wattage desired: 18, 26 or 32.

SPECIAL OPTIONS

K	- Double Pole Toggle Switch (not for Flush Box)
P*	- Porcelain Lamp Holder
SP	- Shockproof Lamp Holder
T*	- Terminal Block (4 pole)
T6*	- Terminal Block (6 pole)
FST	- Frosted Globe
HR	- Heat Resistant Clear Glass Globe
PG**	- Polycarbonate Clear Globe (Guard not provided)
RED	- Red Globe
BLU	- Blue Globe
GRN	- Green Globe
YEL	- Yellow Globe
-276	- 277v 60Hz (Compact fluorescent only)

*Not available with compact fluorescent.

**100w incandescent or compact fluorescent only.

ENTRY OPTIONS

NPT Trade Size	Dead End	Thru Feed	90 Degree	X-Positions
1/2"	E1	C1	L1	X1
3/4"	E2	C2	L2	X2
1"	E3	C3	L3	X3

SPARE PARTS

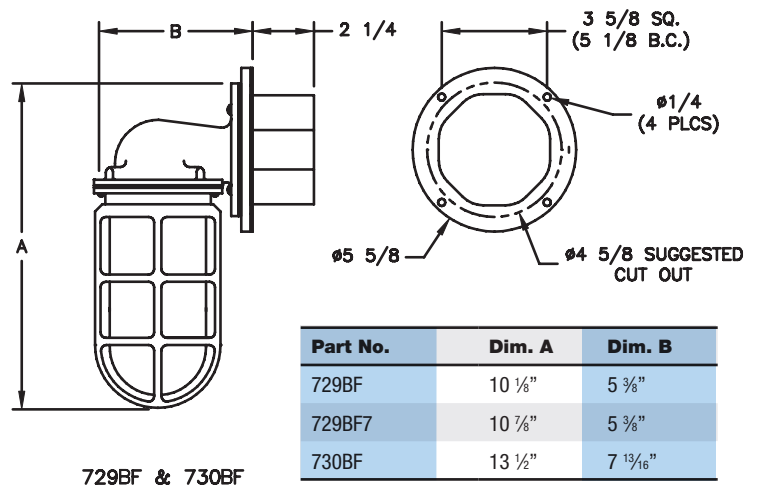
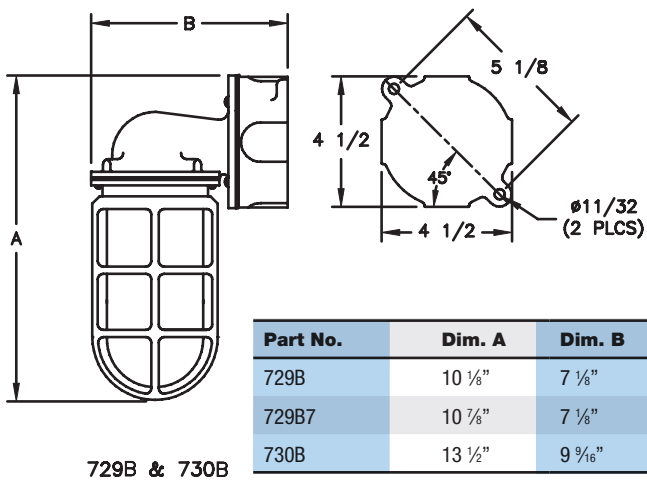
Part No.	Description	Part No.	Description
INX6037B	JUNCTION BOX, Wall Mount	INX3012	DOUBLE POLE TOGGLE SWITCH
INX6055B	JUNCTION BOX, Flush Mount	GKT2002SIL	GLOBE GASKET, Globe 100w
INX1036B	GUARD, 100w 6"	GKT2002SIL	GLOBE GASKET, Globe 150w
INX1037B	GUARD, 150w 7"	GKT1149SIL	GLOBE GASKET, Globe 300w
INX1020B	GUARD, 300w 9"	GKT3000SIL	GLOBE GASKET, Junction Box
INX4000	LAMP HOLDER, Incandescent, Standard PBT	INX3528	LAMP, 100w Incandescent
INX4000P	LAMP HOLDER, Incandescent, Porcelain	INX3543	LAMP, 150w Incandescent
INX4000SP	LAMP HOLDER, Incandescent, Shockproof	INX3678	LAMP, 200w Incandescent
FX4030	LAMP HOLDER, Compact Fluorescent, 18w	INX3559	LAMP, 300w Incandescent
FX4034	LAMP HOLDER, Compact Fluorescent, 26w & 32w	FX3552	LAMP, 18w Compact Fluorescent
FX5206	BALLAST, 120VAC 50/60Hz	FX3553	LAMP, 26w Compact Fluorescent
FX5242	BALLAST, 277VAC 50/60Hz	FX3554	LAMP, 32w Compact Fluorescent
CX3070	TERMINAL BLOCK, 4 pole	INX2006*	GLASS GLOBE, 100w 6"
CX3076	TERMINAL BLOCK, 6 pole	INX2007*	GLASS GLOBE, 150w 7"
GKT8000	SWITCH BOOT	INX2009*	GLASS GLOBE, 300w 9"

*Add one of the following suffix to the above part number to obtain the globe.

Clear Heat Resistant - HR Clear - CLR Green - GRN
Frosted - FST Red - RED Yellow - YEL Blue - BLU

ProGuard **729/730**/br

DIMENSIONS



Dimensions in inches

NOTES