

Pro

ProGuard 717/718/al



FEATURES

- Available in 100w, 150w, and 300w incandescent or 18w, 26w and 32w compact fluorescent.
- High temperature silicone gaskets provide a watertight seal.
- Protective guard provided.
- A wide variety of globe materials and colors.

APPLICATIONS

- Ceiling mount type
- Marine and watertight requirements
- Dusttight requirements
- Freezer and refrigeration
- Pharmaceutical & additives formulation & processing
- Waste water treatment plants
- Bridge & pier lighting

APPROVALS

- Conforms to IP 66
- Marine Outside Type Saltwater
- ABS

STANDARDS

- UL 1598A - Luminaires for Marine Vessels

TECHNICAL SPECIFICATIONS

HOUSING

Cast copper free aluminum.

GUARD

Cast copper free aluminum.

HARDWARE

Stainless steel.

ENTRIES

Standard units undrilled. Up to 1" NPT four way available. See ENTRY OPTIONS for selections.

GASKETS

One piece silicone.

MOUNTING

Ceiling type.

LAMP HOLDER

Medium base, high temperature PBT. Nickel plated copper screw shell. Porcelain and shockproof optional. Compact fluorescent polycarbonate.

GLOBE

Glass, tempered glass or polycarbonate.

LAMP TYPE

Incandescent or 4 Pin compact fluorescent. Lamp not provided.

VOLTAGE

Incandescent rated to 300v.
Fluorescent rated to 120v 50/60Hz, optional 277v 50/60Hz.

TERMINAL BLOCK

Four pole or six pole optional for incandescent models only.

ORDERING REFERENCES

PART NUMBER	DESCRIPTION	LAMP MAX	WEIGHT LBS
717A	Ceiling Mount	A-19 100w	3.0
717A7	Ceiling Mount	A-21 150w	3.4
F717A7-#	Ceiling Mount	CF	3.7
718A	Ceiling Mount	PS-25 300w	4.2

Enter compact fluorescent (CF) wattage desired: 18, 26 or 32.

SPECIAL OPTIONS

- K - Double Pole Toggle Switch
- P* - Porcelain Lamp Holder
- SP - Shockproof Lamp Holder
- T* - Terminal Block (4 pole)
- T6* - Terminal Block (6 pole)
- HR - Heat Resistant Clear Glass Globe
- FST - Frosted Globe
- PG** - Polycarbonate Clear Globe (Guard not provided)
- RG - Red Globe
- BLU - Blue Globe
- GRN - Green Globe
- YEL - Yellow Globe
- L - Shallow Dome Reflector
- N - Angle Dome Reflector
- 276 - 277V 60Hz (Compact fluorescent only)

*Not available with compact fluorescent.

**100w incandescent or compact fluorescent only.

ENTRY OPTIONS

NPT Trade Size	Dead End	Thru Feed	90 Degree	X-Positions
1/2"	E1	C1	L1	X1
3/4"	E2	C2	L2	X2
1"	E3	C3	L3	X3

SPARE PARTS

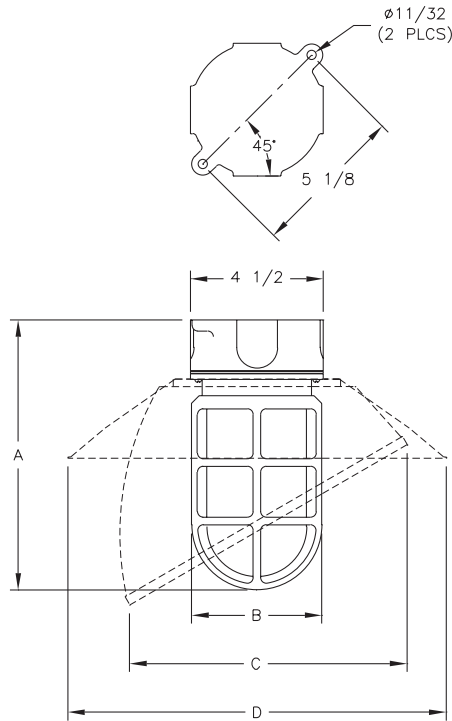
Part No.	Description	Part No.	Description
FX5206	BALLAST, 120VAC 50/60Hz	GKT2002SIL	GASKET, Globe 150w
FX5242	BALLAST, 277VAC 50/60Hz	GKT1149SIL	GASKET, Globe 300w
INX3528	LAMP, 100w Incandescent	GKT3000SIL	GASKET, Junction Box
INX3543	LAMP, 150w Incandescent	INX1036A	GUARD, 100w 6"
INX3678	LAMP, 200w Incandescent	INX1037A	GUARD, 150w 7"
INX3559	LAMP, 300w Incandescent	INX1020A	GUARD, 300w 9"
FX3552	LAMP, 18w Compact Fluorescent	INX6037A	JUNCTION BOX
FX3553	LAMP, 26w Compact Fluorescent	CX3070	TERMINAL BLOCK, 4 pole
FX3554	LAMP, 32w Compact Fluorescent	CX3076	TERMINAL BLOCK, 6 pole
INX4000	LAMP HOLDER, Incandescent, Standard PBT	INX3012	DOUBLE POLE TOGGLE SWITCH
INX4000P	LAMP HOLDER, Incandescent, Porcelain	GKT8000	SWITCH BOOT
INX4000SP	LAMP HOLDER, Incandescent, Shockproof	INX4544	REFLECTOR, Shallow Dome, 100w/150w
FX4030	LAMP HOLDER, Compact Fluorescent, 18w	INX4546A	REFLECTOR, Shallow Dome, 300w
FX4034	LAMP HOLDER, Compact Fluorescent, 26w & 32w	INX4539A	REFLECTOR, Angle Dome, 100w/150w
INX2006*	GLASS GLOBE, 100w 6"	INX4542A	REFLECTOR, Angle Dome, 300w
INX2007*	GLASS GLOBE, 150w 7"		
INX2009*	GLASS GLOBE, 300w 9"		
GKT2002SIL	GASKET, Globe 100w		

*Add one of the following suffix to the above part number to obtain the globe.

Clear Heat Resistant - HR Clear - CLR Green - GRN
Frosted - FST Red - RED Yellow - YEL Blue - BLU

ProGuard 717/718/al

DIMENSIONS



Dimensions in inches

			Option "N"	Option "L"
Part No.	Dim A	Dim B	Dim C	Dim D
717A	9 $\frac{1}{8}$ "	4 $\frac{1}{4}$ "	9 $\frac{1}{4}$ "	12 $\frac{1}{2}$ "
717A7	9 $\frac{7}{8}$ "	4 $\frac{1}{4}$ "	9 $\frac{1}{4}$ "	12 $\frac{1}{2}$ "
718A	12 $\frac{1}{2}$ "	6"	10 $\frac{3}{4}$ "	15 $\frac{3}{4}$ "

NOTES