

Pro

ProGuard **Exacta**/nm



FEATURES

- Available in 150w incandescent or 18w, 26w and 32w compact fluorescent.
- High temperature silicone gasket provides a watertight seal.
- Watertight mounting in any direction.
- USDA compliant materials.
- Meets Canadian Processed Products Regulations C.R.C. c291.
- Optional polymeric or stainless steel guards.
- A wide variety of globe materials and colors.

APPLICATIONS

- Ceiling, pendant and wall mount types
- Marine and watertight requirements
- Dusttight requirements
- Pharmaceutical & additives formulation & processing
- Waste water treatment plants
- Food and beverage processing facilities
- Pulp & paper production
- Temporary lighting

APPROVALS

- Enclosed & Gasketed
- Type 4
- Conforms to IP66
- NSF

STANDARDS

- UL 1598 - Luminaires
- CSA - C22.2 250 04
- CSA - C22.2 141
- NSF/ANSI 2-2007 Splash Zone
- Canadian Processed Products Regulations C.R.C. c291

TECHNICAL SPECIFICATIONS

HOUSING & GLOBE BASE

Reinforced polyethylene terephthalate (PET).

GUARD

Nylon 6/6 or stainless steel wire.

HARDWARE

Stainless steel.

ENTRIES

Four 3/4" NPT knockouts on ceiling and wall versions. One 3/4" NPT outlet on pendant version.

GASKET

One piece silicone.

MOUNTING

Ceiling, pendant or wall.

LAMP HOLDER

Incandescent, medium base porcelain. Compact fluorescent, polycarbonate.

GLOBE

Glass, tempered glass or polycarbonate.

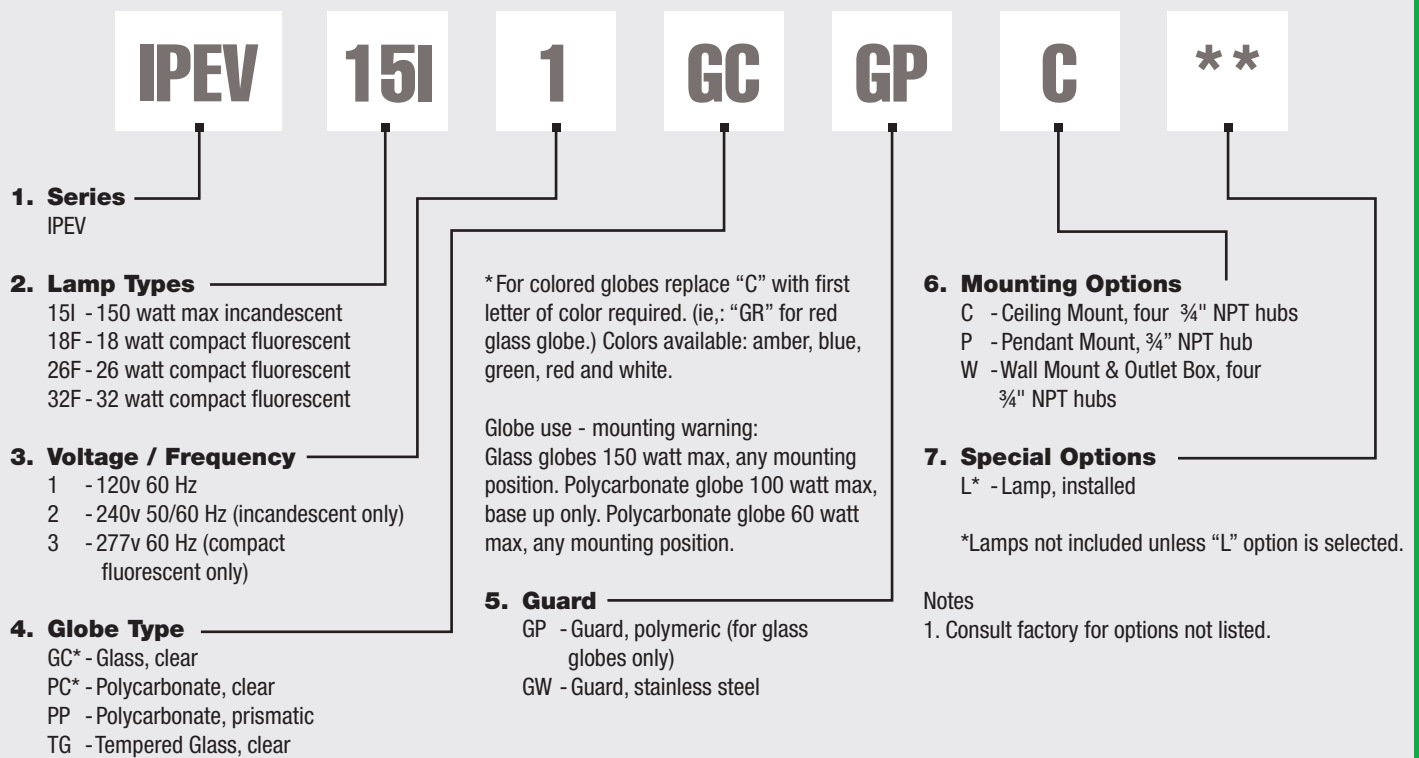
LAMP TYPES

Incandescent or 4-pin compact fluorescent. Lamps not provided.

VOLTAGE

Incandescent 240v maximum. Compact fluorescent 120v or 277v.

ORDERING REFERENCES



COMMONLY ORDERED LUMINAIRES

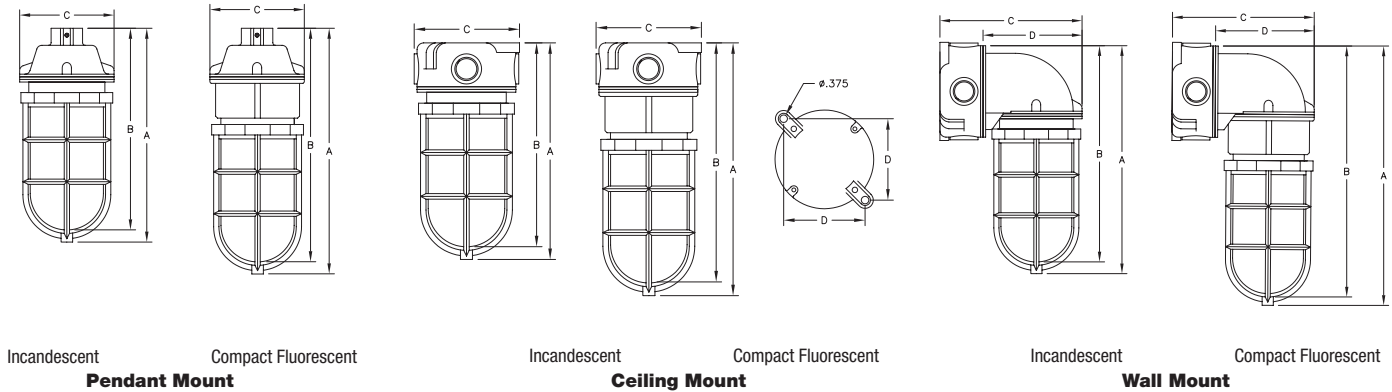
Part No.	Mounting	Lamp Type	Lamp Wattage	Lbs	Kg	Shipping Volume
IPE V15I 1GC GP P	PENDANT	Incandescent	150	2.5	1.15	0.5 ft ³
IPE V18F 1GC GP P	PENDANT	Compact Fluorescent	18	3.0	1.35	0.8 ft ³
IPE V26F 1GC GP P	PENDANT	Compact Fluorescent	26	3.0	1.35	0.8 ft ³
IPE V32F 1GC GP P	PENDANT	Compact Fluorescent	32	3.0	1.35	0.8 ft ³
IPE V15I 1GC GP C	CEILING	Incandescent	150	2.9	1.30	0.5 ft ³
IPE V18F 1GC GP C	CEILING	Compact Fluorescent	18	3.4	1.55	0.8 ft ³
IPE V26F 1GC GP C	CEILING	Compact Fluorescent	26	3.4	1.55	0.8 ft ³
IPE V32F 1GC GP C	CEILING	Compact Fluorescent	32	3.4	1.55	0.8 ft ³
IPE V15I 1GC GP W	WALL	Incandescent	150	3.5	1.60	0.5 ft ³
IPE V18F 1GC GP W	WALL	Compact Fluorescent	18	4.1	1.95	0.8 ft ³
IPE V26F 1GC GP W	WALL	Compact Fluorescent	26	4.1	1.95	0.8 ft ³
IPE V32F 1GC GP W	WALL	Compact Fluorescent	32	4.1	1.95	0.8 ft ³

ProGuard **Exacta**/nm

SPARE PARTS

Part No.	Description	Part No.	Description
FX4030	LAMP HOLDER, 18w CF	P100C	GLOBE, Clear Polycarbonate
FX4034	LAMP HOLDER, 26w CF	FX5206	BALLAST, 120v, 18w CF
FX4034	LAMP HOLDER, 32w CF	FX5206	BALLAST, 120v, 26w CF
INX755-0930	LAMP HOLDER, Incandescent	FX5206	BALLAST, 120v, 32w CF
INX2007CLR	GLASS GLOBE, Clear	FX3552	LAMP, 18w CF
INX2007RED	GLASS GLOBE, Red	FX3553	LAMP, 26w CF
INX2007GRN	GLASS GLOBE, Green	FX3554	LAMP, 32w CF
INX2007BLU	GLASS GLOBE, Blue	INX3558	LAMP, 150w Incandescent
INX2007YEL	GLASS GLOBE, Amber	INXGP150	GUARD, Polymeric
INX2007HR	GLASS GLOBE, Tempered Glass (HR)	INXGW150	GUARD, Stainless Steel
		GKT101-0002	GASKET, Junction Box

DIMENSIONS



Mount	Pendant Mount		Ceiling Mount		Wall Mount	
	Incandescent	Compact Fluorescent	Incandescent	Compact Fluorescent	Incandescent	Compact Fluorescent
Type	Incandescent	Compact Fluorescent	Incandescent	Compact Fluorescent	Incandescent	Compact Fluorescent
A	10.25 (26.0)	12.00 (30.5)	10.00 (25.4)	11.75 (29.8)	11.25 (28.6)	13.00 (33.0)
B	9.50 (24.1)	11.25 (28.6)	9.25 (23.5)	11.00 (27.9)	10.5 (26.7)	12.25 (31.1)
C	4.50 (11.4)	4.50 (11.4)	4.62 (11.7)	4.62 (11.7)	7.50 (19.1)	7.50 (19.1)
D	--	--	3.75 (9.5)	3.75 (9.5)	5.125 (13.0)	5.125 (13.0)

Dimensions are in inches (cm).