

Pro

ProCor Optima 1010/ss



FEATURES

- The only stainless steel HID solution available.
- Maintenance friendly removable ballast tray.
- Tool less entry via four stainless steel over the center cam latches.
- High temperature silicone gaskets provide a watertight seal.
- Ceiling, pendant, stanchion and wall mount types.
- Field replaceable globe and gaskets.
- Tool less lamp replacement.
- Choice of angled or shallow dome reflectors.

APPLICATIONS

- Mid & low bay
- Marine & watertight requirements
- Dusttight requirements
- Waste water treatment plants
- Pulp and paper production
- Aluminum processing facilities
- Salt and potash mines
- Pharmaceutical & additives formulation & processing
- Corrosive environments

APPROVALS

- Type 4X
- Conforms to IP66
- ABS

STANDARDS

- UL 1598 - Luminaires
- CSA - C22.2 No. 250-04

TECHNICAL SPECIFICATIONS

HOUSING AND MOUNTS

Type 316 stainless steel.

GLOBE RETAINING RING

Stainless steel.

LATCHES

Stainless steel, over the center cam.

GLOBE

Internally fluted glass. Clear globe optional.

REFLECTORS

Optional 30° angled or shallow dome acrylonitrile butadiene styrene (ABS), gloss white.

MOUNTINGS

Ceiling, pendant, stanchion and wall.

ENTRIES

3/4" or 1" NPT outlets, stanchion 1/4" or 1/2".

GASKETS

One piece silicone.

GUARD

Optional stainless steel guard.

BALLAST

120/208/240/277v 60Hz multi-tap ballast or 480v 60Hz. 50Hz ballasts optional.

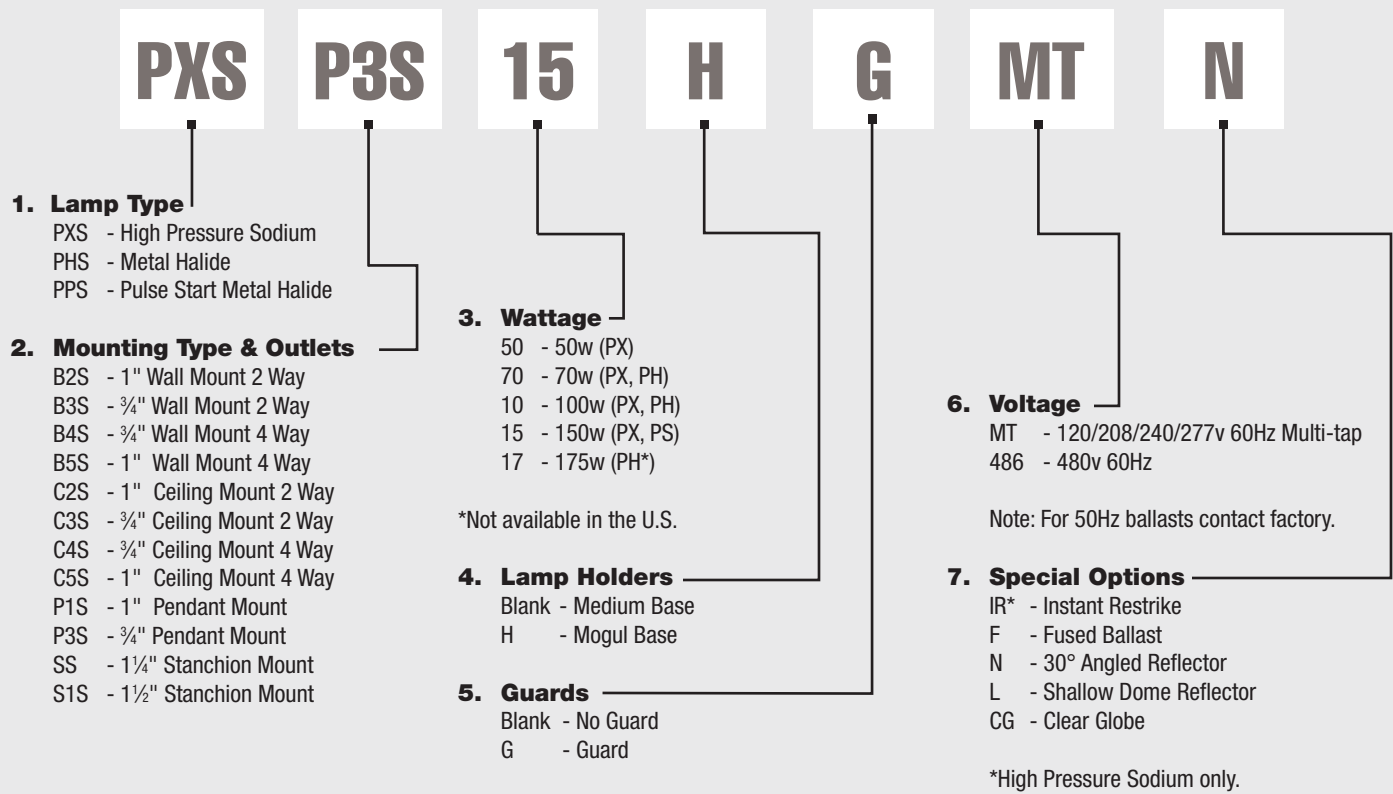
LAMP TYPE

Luminaires are supplied without lamps.

Lamp Type/ Base	Wattage	ANSI Code	Ambient Temp	Supply Wire Temp
HPS (MED)	50	S68	25°C	90°C
HPS (MED)	70	S62	25°C	90°C
HPS (MED)	100	S54	25°C	90°C
HPS (MED)	150	S55	25°C	90°C
HPS (MOG)	50	S68	40°C	90°C
HPS (MOG)	70	S62	40°C	90°C
HPS (MOG)	100	S54	40°C	90°C
HPS (MOG)	150	S55	40°C	90°C
MH (MED)	70	M98	25°C	110°C
MH (MED)	100	M90	25°C	110°C
MH (MED)	175*	M57	25°C	110°C
MH (MOG)	70	M98	25°C	110°C
MH (MOG)	100	M90	25°C	110°C
MH (MOG)	175*	M57	25°C	110°C
PSMH (MOG)	150	M102	25°C	110°C

*Not available in the U.S.

ORDERING REFERENCES

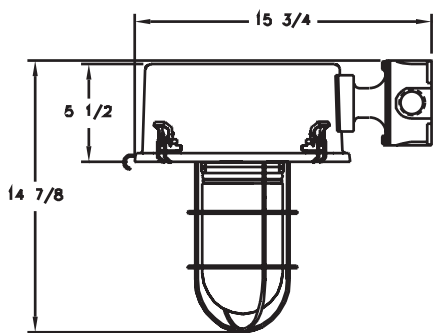


SPARE PARTS

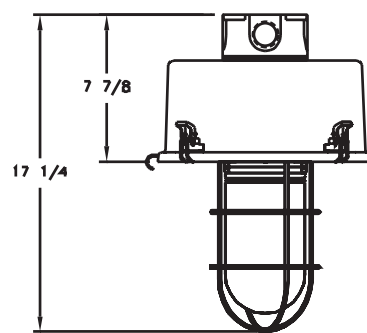
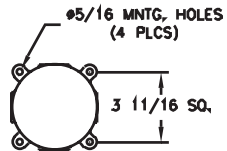
Part No.	Description	Part No.	Description
INX5118	MULTI TAP BALLAST, High Pressure Sodium, 50w	INX7050P1S	MOUNTING, Pendant 1"
INX5116	MULTI TAP BALLAST, High Pressure Sodium, 70w	INX7050P3S	MOUNTING, Pendant ¾"
INX5113	MULTI TAP BALLAST, High Pressure Sodium, 100w	INX7051C2S	MOUNTING, Ceiling 1" 2 Way
INX5110	MULTI TAP BALLAST, High Pressure Sodium, 150w	INX7051C3S	MOUNTING, Ceiling ¾" 2 Way
INX5135	MULTI TAP BALLAST, Metal Halide, 70w	INX7051C4S	MOUNTING, Ceiling ¾" 4 Way
INX5133	MULTI TAP BALLAST, Metal Halide, 100w	INX7051C5S	MOUNTING, Ceiling 1" 4 Way
INX5022	MULTI TAP BALLAST, Metal Halide, 175w	INX7055SS	MOUNTING, Stanchion 1¼"
INX5263	MULTI TAP BALLAST, Pulse Start Metal Halide, 150w	INX7055S1S	MOUNTING, Stanchion 1½"
INX3653	LAMP MEDIUM BASE, High Pressure Sodium, 50w	INX7056B2S	MOUNTING, Wall 1" 2 Way
INX3621	LAMP MEDIUM BASE, High Pressure Sodium, 70w	INX7056B3S	MOUNTING, Wall ¾" 2 Way
INX3632	LAMP MEDIUM BASE, High Pressure Sodium, 100w	INX7056B4S	MOUNTING, Wall ¾" 4 Way
INX3593	LAMP MEDIUM BASE, High Pressure Sodium, 150w	INX7056B5S	MOUNTING, Wall 1" 4 Way
INX3647	LAMP MEDIUM BASE, Metal Halide, 70w	INX4564	REFLECTOR, 30° Angled
INX3659	LAMP MEDIUM BASE, Metal Halide, 100w	INX4565	REFLECTOR, Shallow Dome
INX3620	LAMP MEDIUM BASE, Metal Halide, 175w	INX2150	GLOBE, Fluted
INX3743	LAMP MEDIUM BASE, Pulse Start Metal Halide, 150w	INX2008HR	GLOBE, Clear
INX3687	LAMP Mogul BASE, High Pressure Sodium, 50w	GKT6090	GASKET, Housing
INX3662	LAMP Mogul BASE, High Pressure Sodium, 70w	GKT2013	GASKET, Globe Base
INX3535	LAMP Mogul BASE, High Pressure Sodium, 100w	INX4096	LAMP HOLDER, Medium
INX3651	LAMP Mogul BASE, High Pressure Sodium, 150w	INX4100	LAMP HOLDER, Mogul
INX3683	LAMP Mogul BASE, Metal Halide, 70w	INX1057	GUARD
INX3682	LAMP Mogul BASE, Metal Halide, 100w		
INX3551	LAMP Mogul BASE, Metal Halide, 175w		
INX3744	LAMP Mogul BASE, Pulse Start Metal Halide, 150w		

ProCor Optima 1010/ss

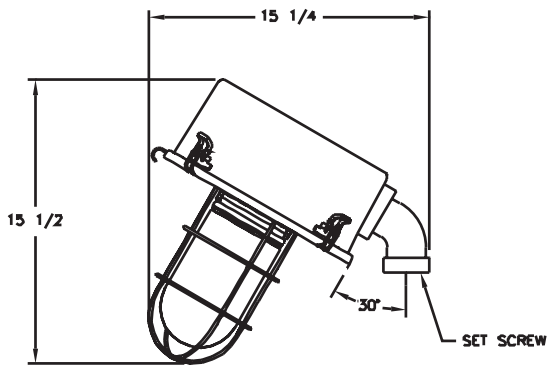
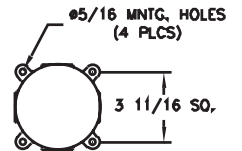
DIMENSIONS



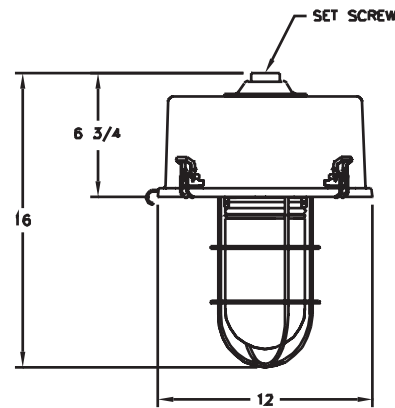
WALL MOUNT



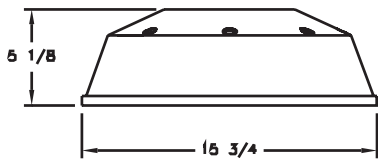
CEILING MOUNT



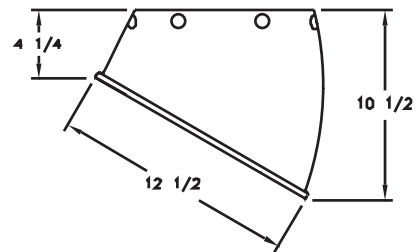
STANCHION MOUNT



PENDANT MOUNT



DOMe REFLECTOR



ANGLE REFLECTOR

Dimensions in inches

NOTES