

Pro

ProCor Optima 1000/ss



FEATURES

- The only stainless steel HID solution available.
- Tool less entry via four stainless steel positive locking latches.
- High temperature silicone gaskets provide a watertight seal.
- Ceiling, pendant, stanchion and wall mount types.
- Field replaceable globe and gaskets.
- Shallow dome reflector available.

APPLICATIONS

- Low bay
- Marine & watertight requirements
- Dusttight requirements
- Waste water treatment plants
- Pulp and paper production
- Aluminum processing facilities
- Salt and potash mines
- Pharmaceutical & additives formulation & processing
- Corrosive environments

APPROVALS

- Type 4X
- Conforms to IP66
- ABS

STANDARDS

- UL 1598 - Luminaires
- CSA - C22.2 No. 250-04

TECHNICAL SPECIFICATIONS

HOUSING AND MOUNTS

Type 316 stainless steel.

GLOBE RETAINING RING

Stainless steel.

LATCHES

Stainless steel, over the center cam.

GLOBE

Clear polycarbonate or Type V distribution, prismatic polycarbonate.

REFLECTOR

Optional shallow dome acrylonitrile butadiene styrene (ABS), gloss white.

MOUNTINGS

Ceiling, pendant, stanchion and wall.

ENTRIES

3/4" or 1" NPT outlets, stanchion 1 1/4" or 1 1/2".

GASKETS

One piece silicone.

BALLAST

120/208/240/277v 60Hz multi-tap ballast or 480v 60Hz. 50Hz ballasts optional.

LAMP TYPE

Luminaires are supplied without lamps.

Lamp Type/ Mogul Base	Wattage	ANSI Code	Ambient Temp	Supply Wire
HPS	50	S68	40/55°C	65/75°C
HPS	70	S62	40/55°C	65/75°C
HPS	100	S54	40/55°C	65/75°C
MH	70	M98	40°C	105°C
MH	100	M90	40°C	105°C

ORDERING REFERENCES



1. Lamp Type

PXS - High Pressure Sodium
PHS - Metal Halide

2. Mounting Type & Outlets

B2 - 1" Wall Mount 2 Way
B3 - 3/4" Wall Mount 2 Way
B4 - 3/4" Wall Mount 4 Way
B5 - 1" Wall Mount 4 Way
C2 - 1" Ceiling Mount 2 Way
C3 - 3/4" Ceiling Mount 2 Way
C4 - 3/4" Ceiling Mount 4 Way
C5 - 1" Ceiling Mount 4 Way
P1 - 1" Pendant Mount
P3 - 3/4" Pendant Mount
S - 1 1/4" Stanchion Mount
S1 - 1 1/2" Stanchion Mount

3. Globes

R - Polycarbonate Refractor Globe
X - Polycarbonate Clear Globe

4. Wattage

50 - 50w (PXS)
70 - 70w
10 - 100w

5. Voltage

-MT 120/208/240/277v 60Hz Multi-tap
-486 480v 60Hz

Note: For 50Hz ballast consult factory.

6. Special Options

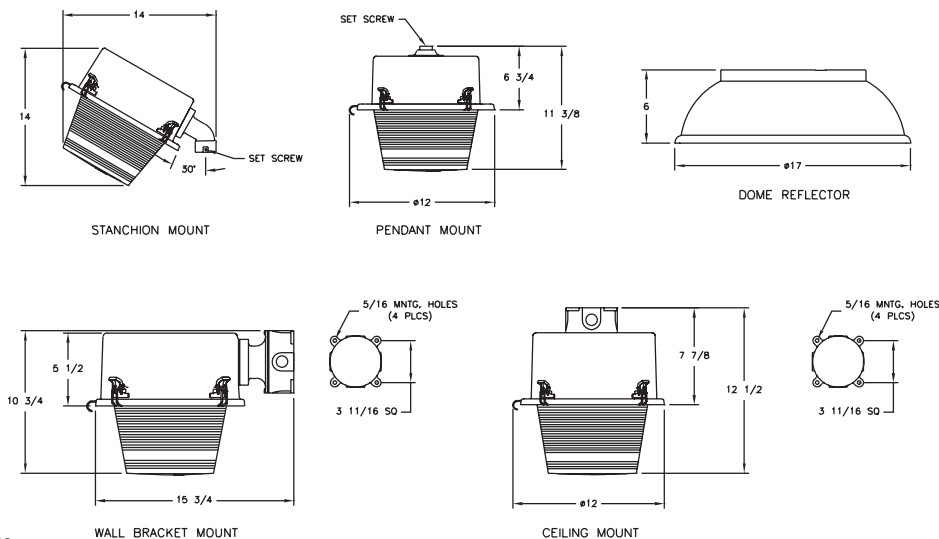
IR* - Instant Restrike
F - Fused Ballast
L - Shallow Dome Reflector

*High Pressure Sodium only.

SPARE PARTS

Part No.	Description	Part No.	Description
INX5118	BALLAST, High Pressure Sodium 50w	INX7050P1S	MOUNTING, Pendant 1"
INX5116	BALLAST, High Pressure Sodium 70w	INX7050P3S	MOUNTING, Pendant 3/4"
INX5113	BALLAST, High Pressure Sodium 100w	INX7051C2S	MOUNTING, Ceiling 1" 2 Way
INX5135	BALLAST, Metal Halide 70w	INX7051C3S	MOUNTING, Ceiling 3/4" 2 Way
INX5133	BALLAST, Metal Halide 100w	INX7051C4S	MOUNTING, Ceiling 3/4" 4 Way
INX2169	GLOBE, Polycarbonate Refractor	INX7051C5S	MOUNTING, Ceiling 1" 4 Way
INX2181	GLOBE, Polycarbonate Clear	INX7055SS	MOUNTING, Stanchion 1 1/4"
INX3687	LAMP, High Pressure Sodium 50w	INX7055S1S	MOUNTING, Stanchion 1 1/2"
INX3662	LAMP, High Pressure Sodium 70w	INX7056B2S	MOUNTING, Wall 1" 2 Way
INX3535	LAMP, High Pressure Sodium 100w	INX7056B3S	MOUNTING, Wall 3/4" 2 Way
INX3683	LAMP, Metal Halide 70w	INX7056B4S	MOUNTING, Wall 3/4" 4 Way
INX3682	LAMP, Metal Halide 100w	INX7056B5S	MOUNTING, Wall 1" 4 Way
INX4100	LAMP HOLDER		
INX4567	REFLECTOR Shallow Dome		

DIMENSIONS



Dimensions in inches