

1L NDA Corro•Gard™ Corrosion-Resistant Incandescent Luminaires

Cl. I, Div. 2, Groups A, B, C, D
Corrosive
Wet Locations
NEMA 3, 3R, 4, 4X

Applications:

Corro•Gard™ NDA Series Luminaires made of Krydon® fiberglass-reinforced polyester are used to provide incandescent lighting:

- Indoors or outdoors in industrial wet or dirty locations and where corrosion is a problem
- In marine applications, above and below deck, where salt spray corrosion shortens fixture life
- In food and beverage industries where frequent wash-downs are necessary
- For walkways, bridges, tunnels, security lighting, cold storage facilities, garages, coal handling areas, shipboard, processing plants, and nuclear generating plant containment areas

Features:

- Luminaire is molded Krydon® for excellent corrosion, heat, and impact resistance
- Accommodates all popular incandescent lamps up to 300W, PS-25
- Attractive modern design and color complement other Corro•Gard products
- Weighs only 8½ lbs. complete with lamp and globe
- Medium screw base porcelain lamp socket has a vibration absorbing mounting bracket
- All joints are gasketed to ensure watertightness
- Configured glass globe reduces glare
- Corro•Gard reflectors made of Krydon® reflect light better than porcelainized steel; do not yellow or discolor with age; cannot chip, peel, rust or dent

Ordering Information: For Pendant Mounting

Hub Size	Max. Lamp Size	Body Only Cat. #	Globe Only Cat. #	Body With Globe Cat. #
3/4"	300W PS-25 Med. Base 120V	NDA22	G24	NDA22G

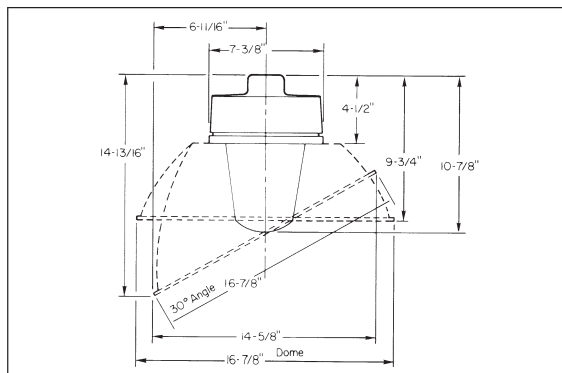
Temperature Performance Data: (based on 40°C ambient)

Max. Lamp Size	T-Number	Supply Wire (°C)
300W	T2A	150°C

Note: Fixtures are not marked with T-Number.



Dimensions In Inches:



Certifications and Compliances:

- UL Standard: 1598
- Wet Locations
- Suitable for 40°C ambient temperature

Standard Materials:

- Bodies and reflectors – Krydon® fiberglass-reinforced polyester material
- Globes – configured heat-resistant glass

Standard Finishes:

- Bodies – natural
- Reflectors – natural, high reflectance white

Options:

Description	Suffix
TEFLON® coating on G24 globe for increased shatter protection	S808

Accessories & Parts



Globe



Guard

Color	Globe Cat. #	Guard Cat. #
Clear (heat resisting)	G24	P21
Green	G25	
Blue	G26	
Red	G27	
Amber	G28	

Reflectors (Order separately)



Dome



30° Angle

Type	Cat. #
Dome	RD725 (RD75)
30° Angle	RA725 (RA75)

Replacement Lamp Receptacles with Strap Shock Absorbing



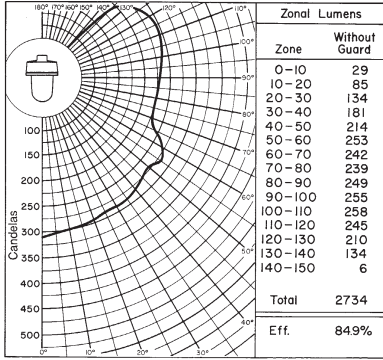
Description	Cat. #
Replacement Lamp Receptacles	NV84

Crouse-Hinds
by **F.T.M.**

Lamp: 200W/PS-25

All data provided is for incandescent with 200W/PS-25 lamp. See Multipliers for other wattages and lamp types.

Luminaire With Globe

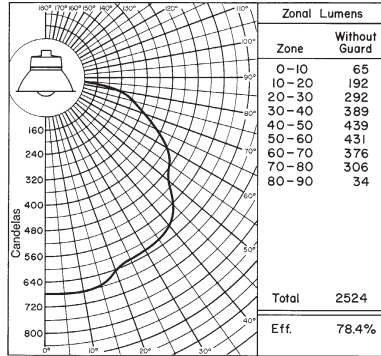


Coefficient of Utilization

Effective Floor Cavity Reflectance 20%

% Reflectance	Room Cavity Ratio	Eff. Ceil. Wall				
		1	2	3	4	5
80	10	.673	.529	.433	.357	.300
70	10	.626	.496	.407	.336	.282
50	10	.547	.432	.356	.295	.248
30	10	.469	.372	.307	.254	.215
0	10	.396	.315	.259	.215	.181
80	30	.576	.473	.399	.339	.250
70	30	.516	.439	.382	.335	.297
50	30	.433	.366	.319	.279	.247
30	30	.354	.277	.226	.184	.154
0	30	.293	.256	.226	.201	.175
80	50	.431	.339	.287	.244	.211
70	50	.396	.315	.259	.215	.181
50	50	.312	.280	.252	.230	.205
30	50	.256	.223	.198	.177	.153
0	50	.213	.183	.158	.139	.117
80	70	.363	.324	.291	.266	.236
70	70	.293	.256	.226	.201	.175
50	70	.242	.208	.179	.157	.133
30	70	.185	.158	.137	.121	.100
0	70	.156	.135	.116	.102	.084
80	90	.223	.201	.180	.166	.147
70	90	.185	.163	.144	.129	.110
50	90	.156	.135	.116	.102	.084
30	90	.132	.112	.096	.084	.068
0	90	.132	.112	.096	.084	.068

Luminaire With Globe and Dome Reflector

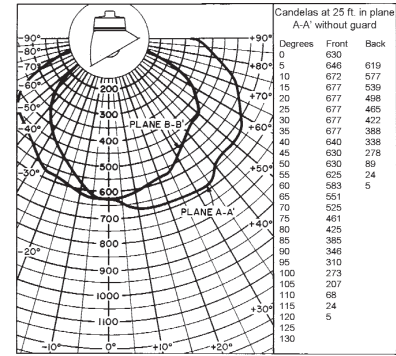


Coefficient of Utilization

Effective Floor Cavity Reflectance 20%

% Reflectance	Room Cavity Ratio	Eff. Ceil. Wall				
		1	2	3	4	5
80	10	.742	.601	.499	.416	.354
70	10	.729	.595	.494	.413	.315
50	10	.756	.659	.580	.510	.455
30	10	.729	.617	.528	.453	.395
0	10	.706	.579	.485	.408	.349
80	30	.684	.566	.477	.402	.344
70	30	.699	.610	.539	.475	.424
50	30	.663	.580	.501	.431	.378
30	30	.647	.536	.451	.378	.323
0	30	.684	.566	.477	.402	.344
80	50	.431	.386	.347	.317	.277
70	50	.360	.317	.280	.250	.211
50	50	.309	.269	.231	.204	.169
30	50	.423	.380	.342	.312	.272
0	50	.356	.312	.277	.247	.211
80	70	.305	.265	.231	.204	.169
70	70	.408	.368	.331	.302	.265
50	70	.348	.305	.272	.243	.207
30	70	.303	.263	.229	.202	.167
80	90	.396	.355	.321	.294	.257
70	90	.342	.301	.266	.238	.203
50	90	.300	.260	.227	.201	.165
30	90	.383	.346	.311	.285	.250
0	90	.334	.295	.262	.235	.200
80	100	.297	.258	.225	.199	.163
70	100	.281	.243	.210	.184	.150
50	100	.281	.243	.210	.184	.150
30	100	.281	.243	.210	.184	.150
0	100	.281	.243	.210	.184	.150

Luminaire With Globe and 30° Angle Reflector



Total Lumens

Eff. %

2595

80.6



Multipliers for Other Lamps

Photometric data was developed using a 200 watt/PS-25 inside frosted incandescent lamp (3,220 lumens). For other incandescent watts/lamp size, use the following conversion factors (multipliers):

Watts	Lamp Size	Lamp Lumens	Conversion Factor
100	A-19	1750	.54
100	A-21	1690	.52
150	A-21	2880	.89
150	PS-25	2680	.83
200	A-23	4010	1.25
300	PS-25	6360	1.98

Example: Zonal lumens for 200W/PS-25 luminaire with globe and dome reflector for 30-40° is 389. Zonal lumens for 100W/A-21 luminaire with globe and dome reflector for 30-40° is 389 × .52 = 202.