

Haz

HazGuard 707/717/727/al



FEATURES

- Up to 150w incandescent.
- High temperature silicone gaskets provide a watertight seal.
- Four pole terminal block.
- Protective guard provided.

APPLICATIONS

- Ceiling, pendant and wall mount types
- Hazardous locations
- Marine and watertight requirements
- Oil and gas exploration and production
- Petrochemical facilities
- Pharmaceutical & additives formulation & processing
- Pipeline compressor/pumping & storage
- Surface mining
- Waste water treatment plants

APPROVALS

- Class I Division 2 Groups A, B, C & D
- Class I Zone 2 Groups IIA, IIB, IIB + H2 & IIC
- Type 4X
- Conforms to IP66
- Marine Outside Type Saltwater
- ABS

STANDARDS

- UL 844 - Hazardous Locations
- UL 1598A - Luminaires for Marine Vessels

TECHNICAL SPECIFICATIONS

HOUSING

Cast copper free aluminum.

GUARD

Cast copper free aluminum.

HARDWARE

Stainless steel.

ENTRIES

Ceiling and wall types supplied drilled and tapped with four 3/4" NPT outlets and three plugs. Pendant type supplied with 3/4" NPT.

GASKETS

One piece silicone.

MOUNTING

Ceiling, pendant or wall. Intended for lamp base-up mounting.

LAMP HOLDER

Medium base, high temperature PBT. Nickel plated copper screw shell. Shockproof optional.

GLOBE

Clear glass. Optional tempered glass.

LAMP TYPE

A-21 150w incandescent. Lamp not provided.

VOLTAGE

Rated to 250v.

TERMINAL BLOCK

Four pole 20 Amp housed in junction box.

TEMPERATURE CODES

Rating T2D at 40°C ambient. Supply wire 90°C.

ORDERING REFERENCES

PART NUMBER	DESCRIPTION	WEIGHT LBS
707AM7D2	Wall Mount/Junction Box	3.1
717AM7D2	Ceiling Mount/Junction Box	2.5
727AM7D2	Pendant Mount/Junction Box	2.6

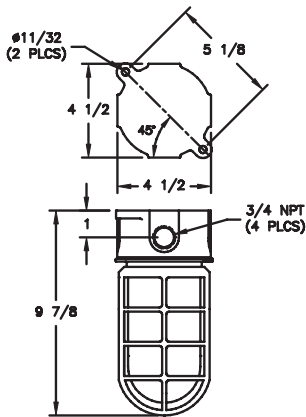
SPECIAL OPTIONS

- SP - Shockproof Lamp Holder
- HR - Heat Resistant Clear Glass Globe

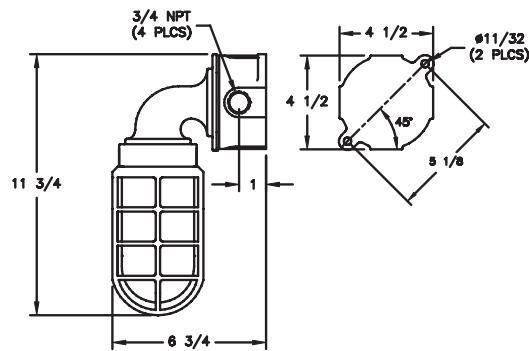
SPARE PARTS

Part No.	Description		
INX3558	LAMP, 150w A-21	INX1037A/SCR	GUARD
INX2007CLR	GLOBE, Glass Clear	GKT2002SIL	GASKET, Globe
INX2007HR	GLOBE, Heat Resistant Clear	GKT3000SIL	GASKET, Junction Box
INX4000	LAMP HOLDER, Standard PBT	CX3070	TERMINAL BLOCK, 4 pole
INX4000SP	LAMP HOLDER, Shockproof		

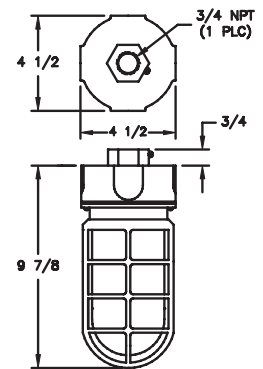
DIMENSIONS



717AM7D2



707AM7D2



727AM7D2

Dimensions in inches