

HazGuard **Exacta**/nm



FEATURES

- Available in 150w incandescent or 18w, 26w and 32w compact fluorescent.
- Approved for use in Class II dust areas.
- High temperature silicone gasket provides a watertight seal.
- Watertight mounting in any direction.
- USDA compliant materials.
- Meets Canadian Processed Products Regulations C.R.C. c291.
- Optional polymeric or stainless steel guards.
- A wide variety of globe materials and colors.

APPLICATIONS

- Ceiling, pendant and wall mount types
- Hazardous locations
- Marine and watertight requirements
- Dusttight requirements
- Grain & sugar milling, processing & storage
- Petrochemical facilities
- Coal processing & storage
- Surface mining
- Pharmaceutical & additives formulation & processing
- Food and beverage processing facilities
- Pulp & paper production
- Waste water treatment plants
- Pipeline compressor/pumping & storage

APPROVALS

- Class I Division 2 Groups A, B, C & D
- Class I Zone 2 Groups IIA, IIB & IIC
- Class II Division 2 Groups F & G
- Class III
- Type 4
- Conforms to IP66
- NSF

STANDARDS

- UL 844 - Hazardous Locations
- UL 1598 - Luminaires
- CSA - Class 3428 03
- CSA - Class 3428 83
- NSF/ANSI 2-2007 Splash Zone
- Canadian Processed Products Regulations C.R.C. c291

TECHNICAL SPECIFICATIONS

HOUSING & GLOBE BASE

Reinforced polyethylene terephthalate (PET).

GUARD

Nylon 6/6 or stainless steel wire.

HARDWARE

Stainless steel.

ENTRIES

Four 3/4" NPT knockouts on ceiling and wall versions. One 3/4" NPT outlet on pendant version.

GASKET

One piece silicone.

MOUNTING

Ceiling, pendant or wall.

LAMP HOLDER

Incandescent, medium base porcelain. Compact fluorescent, polycarbonate.

GLOBE

Glass, tempered glass or polycarbonate.

LAMP TYPES

Incandescent or 4-pin compact fluorescent. Lamps not provided.

VOLTAGE

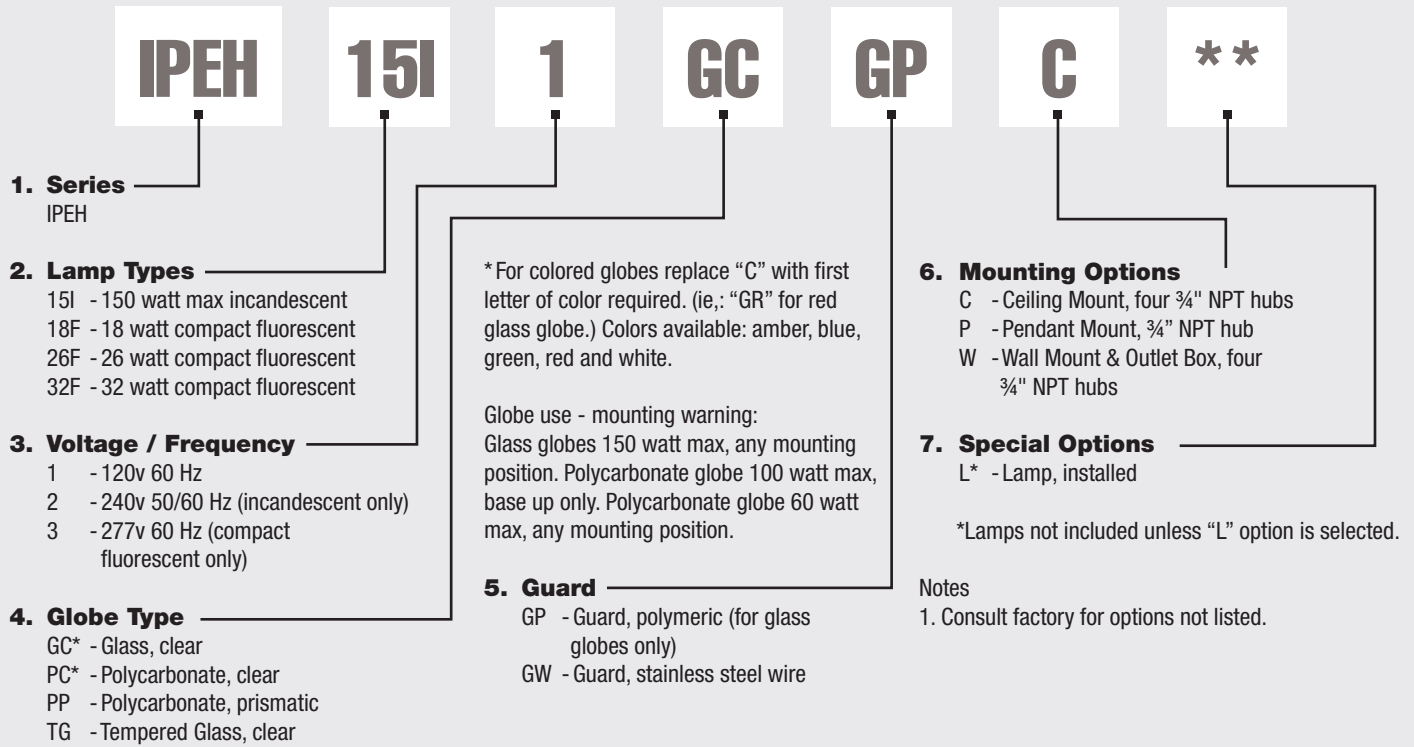
Incandescent 240v maximum. Compact fluorescent 120v or 277v.

TEMPERATURE CODE

At 40°C ambient. Supply wire 90°C.

Lamp	Wattage	Globe	T-Code
Incandescent	150	Glass	T3
Incandescent	100	Glass	T3C
Incandescent	100	Polycarbonate	T3C
Compact fluorescent	32 Max	All	T3C

ORDERING REFERENCES

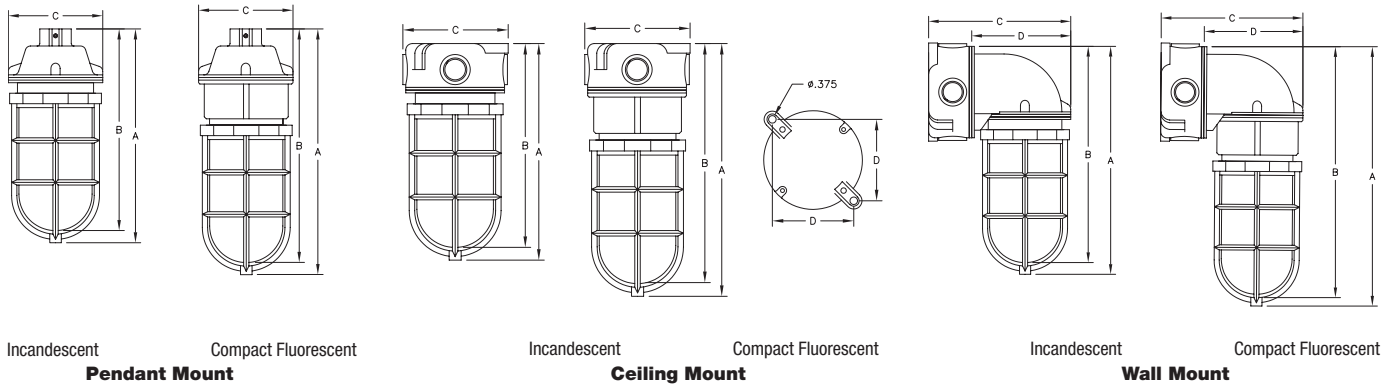


COMMONLY ORDERED LUMINAIRES

Part No.	Mounting	Lamp Type	Lamp Wattage	Lbs	Kg	Shipping Volume
IPE H151 1GC GP P	PENDANT	Incandescent	150	2.5	1.15	0.5 ft ³
IPE H18F 1GC GP P	PENDANT	Compact Fluorescent	18	3.0	1.35	0.8 ft ³
IPE H26F 1GC GP P	PENDANT	Compact Fluorescent	26	3.0	1.35	0.8 ft ³
IPE H32F 1GC GP P	PENDANT	Compact Fluorescent	32	3.0	1.35	0.8 ft ³
IPE H151 1GC GP C	CEILING	Incandescent	150	2.9	1.30	0.5 ft ³
IPE H18F 1GC GP C	CEILING	Compact Fluorescent	18	3.4	1.55	0.8 ft ³
IPE H26F 1GC GP C	CEILING	Compact Fluorescent	26	3.4	1.55	0.8 ft ³
IPE H32F 1GC GP C	CEILING	Compact Fluorescent	32	3.4	1.55	0.8 ft ³
IPE H151 1GC GP W	WALL	Incandescent	150	3.5	1.60	0.5 ft ³
IPE H18F 1GC GP W	WALL	Compact Fluorescent	18	4.1	1.95	0.8 ft ³
IPE H26F 1GC GP W	WALL	Compact Fluorescent	26	4.1	1.95	0.8 ft ³
IPE H32F 1GC GP W	WALL	Compact Fluorescent	32	4.1	1.95	0.8 ft ³

HazGuard **Exacta**/nm

DIMENSIONS



Mount	Pendant Mount		Ceiling Mount		Wall Mount	
Type	Incandescent	Compact Fluorescent	Incandescent	Compact Fluorescent	Incandescent	Compact Fluorescent
A	10.25 (26.0)	12.00 (30.5)	10.00 (25.4)	11.75 (29.8)	11.25 (28.6)	13.00 (33.0)
B	9.50 (24.1)	11.25 (28.6)	9.25 (23.5)	11.00 (27.9)	10.5 (26.7)	12.25 (31.1)
C	4.50 (11.4)	4.50 (11.4)	4.62 (11.7)	4.62 (11.7)	7.50 (19.1)	7.50 (19.1)
D	--	--	3.75 (9.5)	3.75 (9.5)	5.125 (13.0)	5.125 (13.0)

Dimensions are in inches (cm).

SPARE PARTS

Part No.	Description
FX4030	LAMP HOLDER, 18w CF
FX4034	LAMP HOLDER, 26w CF
FX4034	LAMP HOLDER, 32w CF
INX755-0930	LAMP HOLDER, Incandescent
INX2007CLR	GLASS GLOBE, Clear
INX2007RED	GLASS GLOBE, Red
INX2007GRN	GLASS GLOBE, Green
INX2007BLU	GLASS GLOBE, Blue
INX2007YEL	GLASS GLOBE, Amber
INX2007HR	GLASS GLOBE, Tempered Glass (HR)
P100C	GLOBE, Clear Polycarbonate
FX5206	BALLAST, 120v, 18w CF
FX5206	BALLAST, 120v, 26w CF
FX5206	BALLAST, 120v, 32w CF
FX3552	LAMP, 18w CF
FX3553	LAMP, 26w CF
FX3554	LAMP, 32w CF
INX3558	LAMP, 150w Incandescent
INXGP150	GUARD, Polymeric
INXGW150	GUARD, Stainless steel
GKT101-0002	GASKET, Junction Box